

# 'Tabletop Cube' wood burning outdoor Fire

## Users Instruction Manual

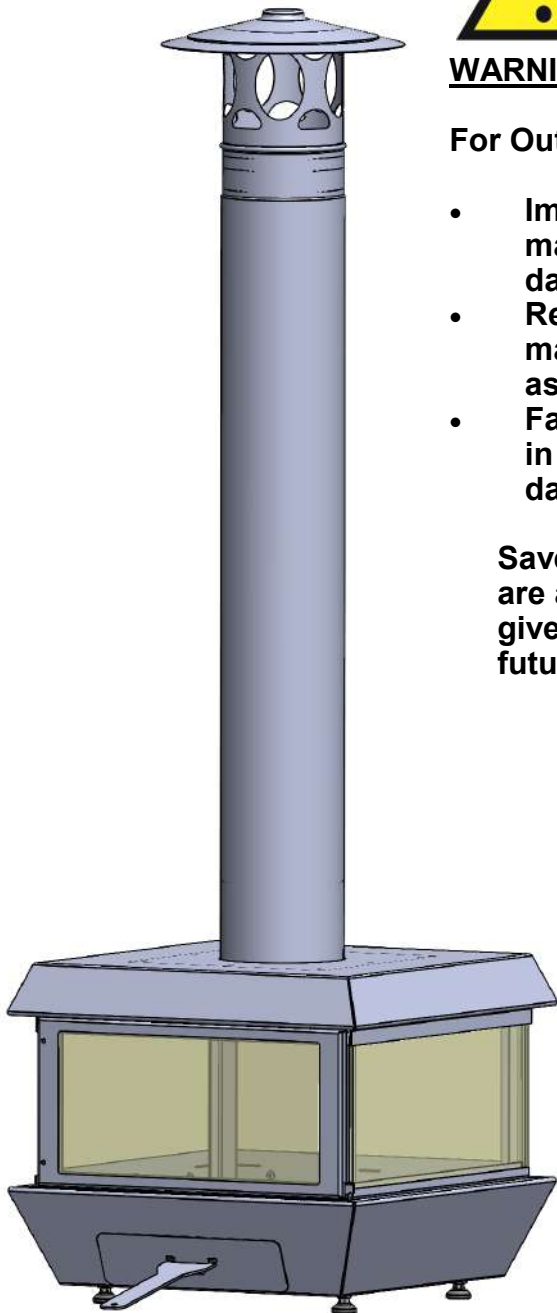


### WARNING FOR YOUR SAFETY:

For Outdoor use, Only

- Improper installation, assembly, alteration or maintenance can cause injury or property damage.
- Read the installation, assembly, operation and maintenance instructions thoroughly before assembly and use of this appliance.
- Failure to follow these instructions could result in fire or explosion, which could cause property damage, personal injury or death.

Save these instructions for future reference. If you are assembling this appliance for someone else, give this manual to them to read and save for future reference.



# Important Safeguards

## IMPORTANT - PLEASE READ BEFORE USING YOUR PRODUCT

- The 'Tabletop Cube' is for OUTDOOR USE ONLY, and should NOT be used in a building, garage, or any other enclosed area.
- Do NOT use the 'Tabletop Cube' for indoor heating. Toxic carbon monoxide fumes can accumulate and cause asphyxiation.
- 
- The 'Tabletop Cube' is NOT recommended for commercial use.
- The 'Tabletop Cube' outdoor fire is NOT to be operated by children.
- The 'Tabletop Cube outdoor fire is NOT to be used in or on boats or other recreational vehicles.
- When using the 'Tabletop Cube', exercise the same precautions you would with any open fire.
- The use of alcohol, prescription or non-prescription drugs may impair the user's ability to correctly assemble or safely operate the 'Tabletop Cube' outdoor fire.
- Do not use the 'Tabletop Cube' outdoor fire without reading the entire "Manual"
- The 'Tabletop Cube' outdoor fire is for use with dry, seasoned hardwood. It will burn hotter, more completely and create less smoke.
- Do NOT burn charcoal briquets, lump charcoal, driftwood, rubbish, leaves, paper, cardboard, plywood, painted or stained or pressure treated wood. Avoid using softwoods such as pine or cedar that can throw sparks out.
- Do NOT alter the 'Tabletop Cube' outdoor fire in any manner.
- Do NOT use the 'Tabletop Cube' outdoor fire until it is completely assembled.
- Do NOT store or use any flammable liquids or vapours in the vicinity of the 'Tabletop Cube' outdoor fire.
- Do NOT store or use an LP Gas cylinders within 10 feet (3.1M) of the 'Tabletop Cube' outdoor fire while it is in use.
- Do NOT use the 'Tabletop Cube' outdoor fire near any Motor vehicle or recreational vehicle.
- Do NOT use in an explosive atmosphere. Keep 'Tabletop Cube' outdoor fire area clear from combustible materials.
- Do NOT use the 'Tabletop Cube' outdoor fire under any overhead or near any unprotected combustible constructions avoid using near or under overhanging trees or shrubs.
- Always use the 'Tabletop Cube' outdoor fire on a hard, level surface. (see location note)
- Do NOT wear flammable or loose clothing when using the 'Tabletop Cube' outdoor fire.
- Do NOT use petrol, kerosene, diesel, lighter fluid or alcohol to light or relight fires.
- Keep all electrical cords, cables away from a Hot 'Tabletop Cube' outdoor fire.
- All Surfaces of the 'Tabletop Cube' outdoor fire are hot when in operation. To avoid burns, do NOT touch outdoor fire until it has completely cooled unless you are wearing protective gear (heat-resistant gloves, BBQ mittens etc.) Never touch ashes or logs to see if they are hot.
- Do Not leave a lit 'Tabletop Cube' outdoor fire unattended, especially around children and pets.
- Do NOT attempt to move or store the 'Tabletop Cube' outdoor fire until all ashes and coals are completely extinguished.
- Do Not remove ashes or logs until they are completely and fully extinguished.
- Use heat-resistant gloves or tool when opening and closing door.

- Use long, sturdy fire tongs when adding or removing logs.
- DO NOT overload the 'Tabletop Cube' outdoor fire. Do NOT add additional logs until the fire burns down.
- The 'Tabletop Cube' outdoor fire should be thoroughly inspected and cleaned on a regular basis.
- Deaths, Serious injury or damage to property may occur if the above safeguard is not followed exactly.

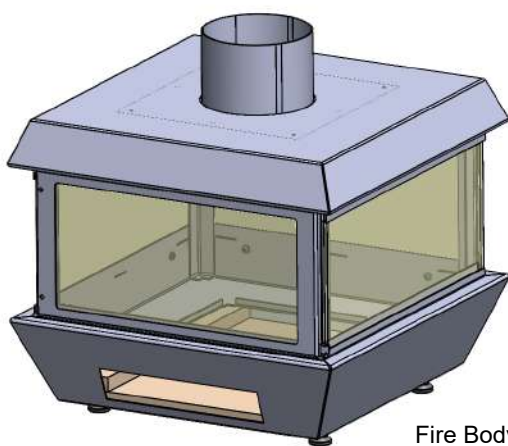
## Cube Location

The 'Tabletop Cube' should be placed on a suitable sturdy table, although the base of the appliance does not get radically hot, the customer should use their judgement where necessary to decide if a secondary protective hearth platform is needed to protect the table from heat or being scorched, or damaged from ember sparks. (see Legend Tabletop mounting hearth in Optional Extras Section.) Also some consideration should be given to the increased safety risk of locating the 'Tabletop Cube' too close to combustible materials such as plastic or timber Garden Furniture.

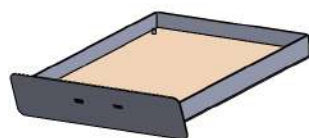
## ASSEMBLY INSTRUCTIONS



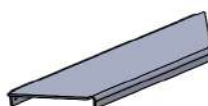
Flue Cowl



Fire Body



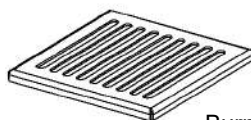
Ash Box



Burner Plate 4-off



Door and Ash Pan Tool

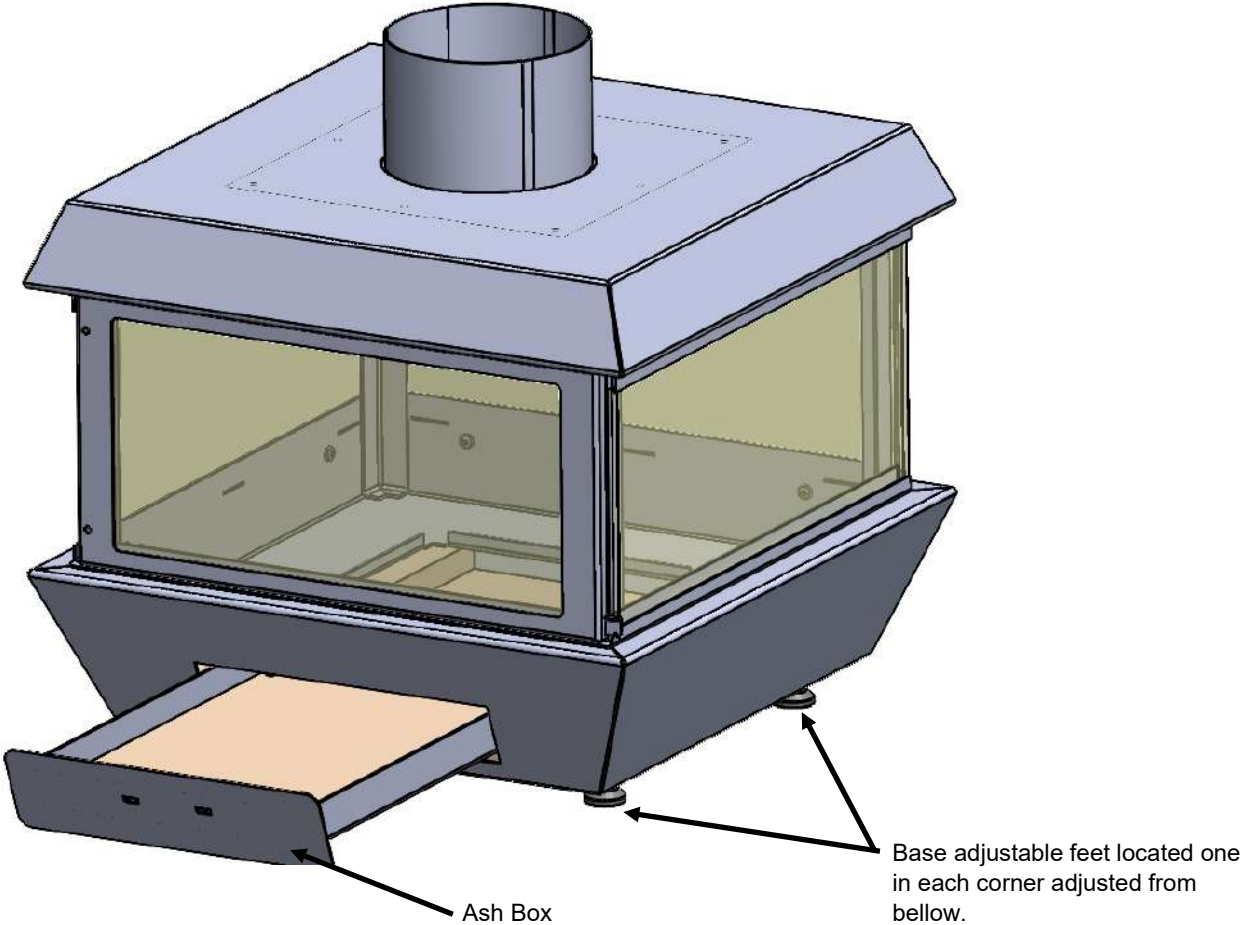


Burner Rack

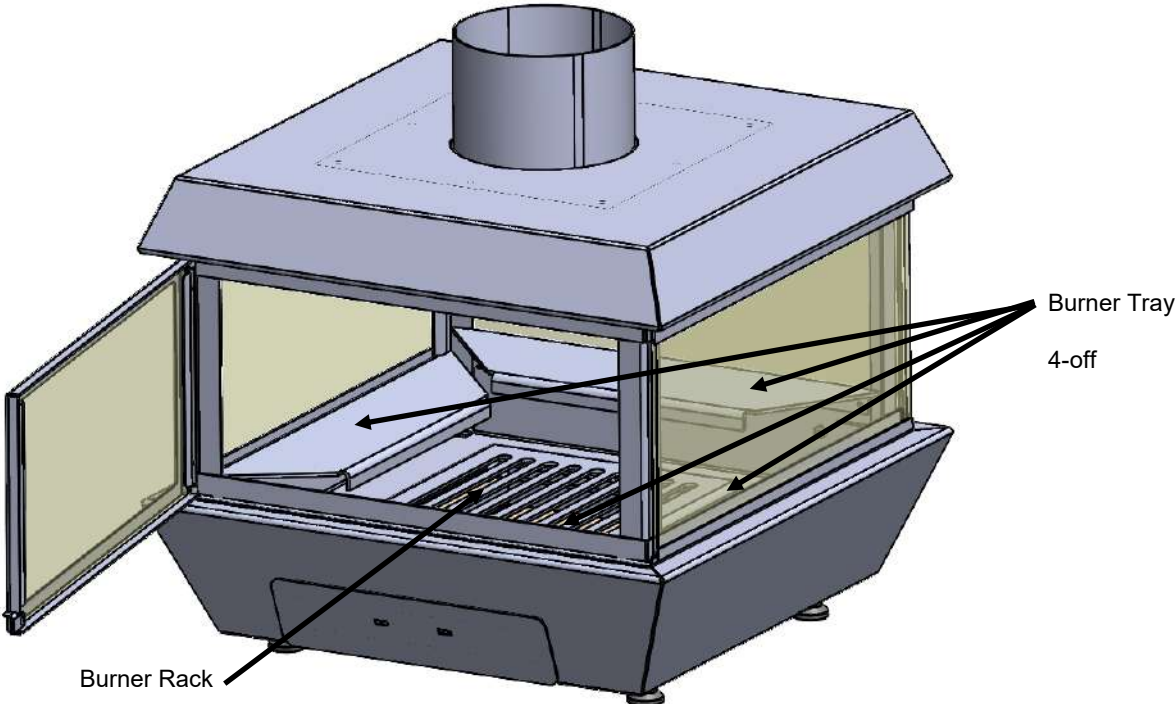


1000mm Flue Section

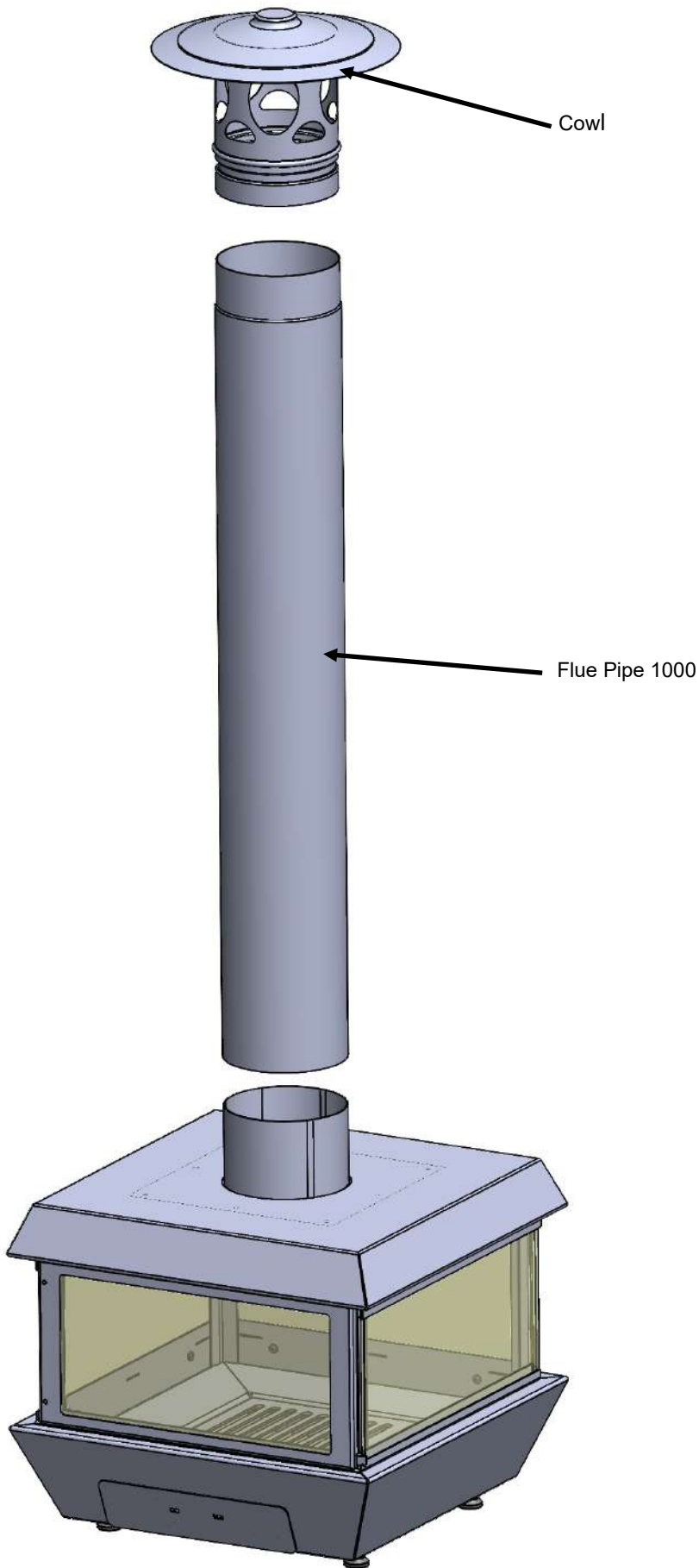
Place the Tabletop Fire in preferred suitable location on table and adjust the feet to level as necessary. Ensuring that all safeguard measures are complied with. Slide ash box in to base of Fire



Open Door and fit the four off burner trays as shown and the burner rack.



Fit Flue pipe sections and flue cowl as shown these are a push fit.



# USER INSTRUCTIONS

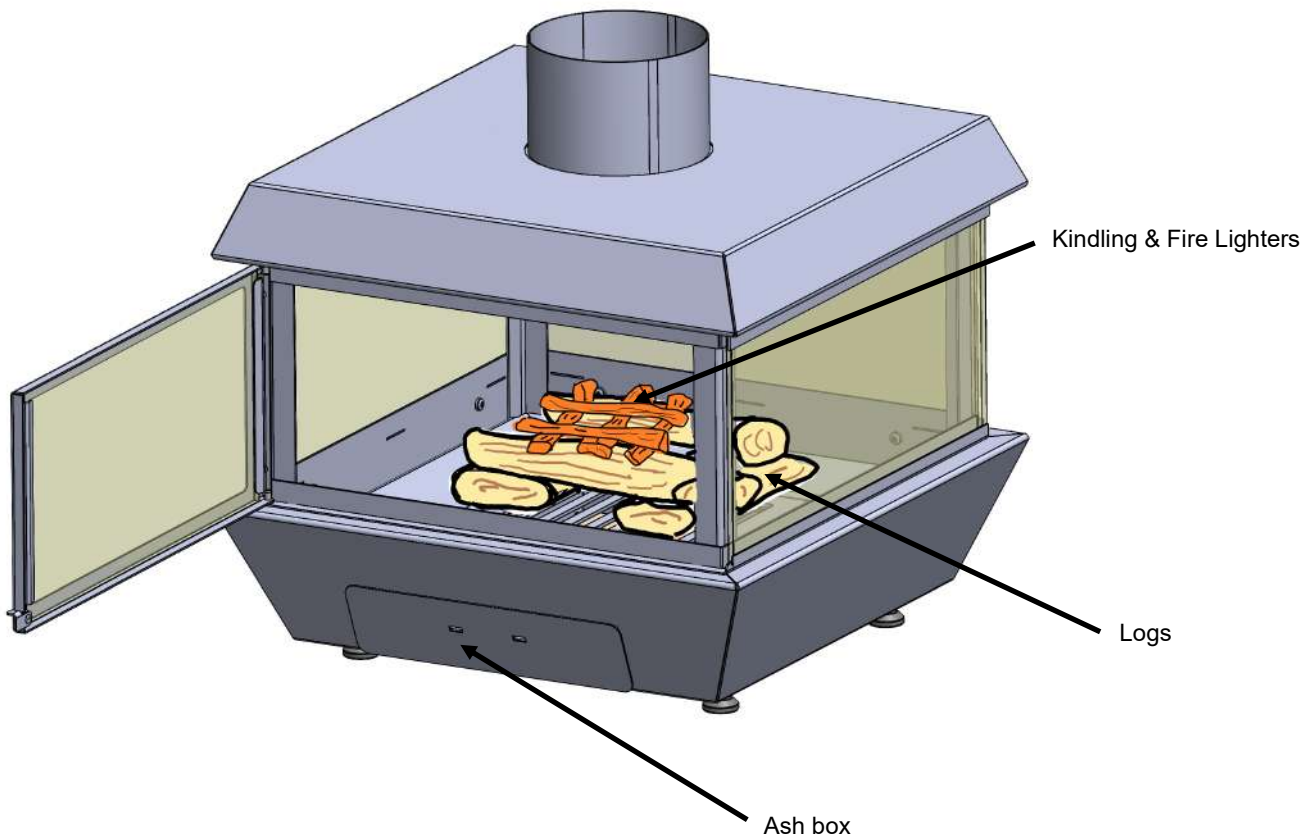


## **WARNING** FOR YOUR SAFETY

Before using this Outdoor Fire, make sure you have read, understand and are following all information provided in the 'Important safeguards' in the front of this manual. Failure to follow those instructions can cause death, serious injury or property damage.

### Lighting

- Open Door
- Stack logs as shown use logs that are no more than 350mm Long, do not stack the logs to high or over load the 'Tabletop Cube' max two layers high.
- Place kindling and Fire Lighters on top as shown.
- Use a taper or long match to light Fire Lighters
- Close door once kindling is lit.
- It will help with lighting if the ash box is opened slightly.
- Close ash box when logs are burning well.
- NOTE: on first use smoke may be seen, this is normal on first use and is from the paint curing.



## Tending

You may need to move or add logs for an ideal experience.

Reminders:

Always wear protective gloves or similar when tending fire.

Wait until glowing coals have developed before adding any additional logs.

Do NOT add petrol, diesel, lighter fuel or alcohol to relight or enhance an existing fire.

- Carefully open Door with tool or heat proof Glove
- While using a long-handled fireplace tool, carefully move logs and coals as required, if any logs fall against the glass move the log as soon as possible as this will cause staining of the glass. See cleaning section on how to clean Glass.
- If additional logs are required, place on top of coals, taking care not to move the coals too much.
- Close door with tool or a heat proof glove.

## Extinguishing

- Allow fire to burn itself out.
- Do NOT use water to extinguish as this is dangerous and may cause glass to shatter causing serious injury or damage to property and damage to the 'Tabletop Cube' outdoor fire.

## Maintenance and Cleaning

To Maintain the appearance and extend the product life of the 'Tabletop Cube' it is recommended that the tabletop cube is not left outside for long periods of time, and that it is stored inside as soon as possible, when the fire is completely out and the Tabletop Cube is cold.

The 'Tabletop Cube' outdoor fire should be cleaned on a regular base to promote a safer experience and longer product life.

NOTE: After repeated use, a slight discoloration of the finish and surface rust may occur.

Do NOT attempt to clean the 'Tabletop Cube' until the fire is completely out.

Do NOT use oven cleaner or abrasive cleaners as they will damage this product.

Glass Cleaning

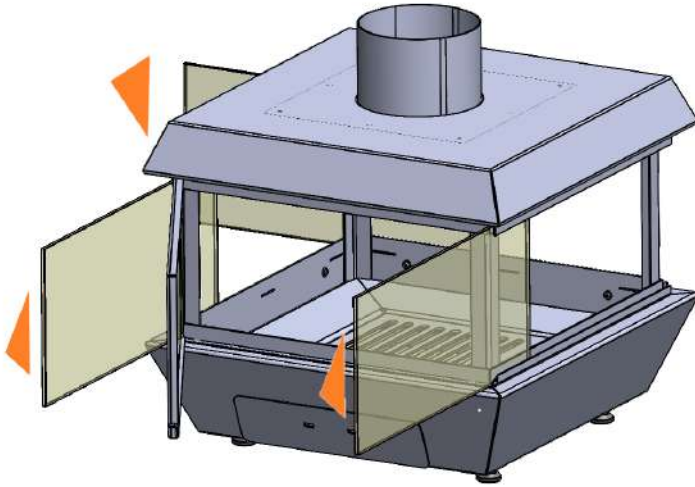
- Brush of any soot from inside of glass with a soft brush.
- For stubborn stains on glass remove glass (see detail on glass removal) and clean with kitchen cream cleaner and rinse with clean water, or use stove glass cleaning paste. Dry glass with a clean cloth.

Exterior Surfaces

- Wipe exterior surfaces with a mild soap solution and dry with a clean cloth
- Areas with surface rust, using a abrasive cloth (scotch bright) gentle rub areas to remove rust.
- Using a Dry cloth wipe away all dust/rust particles.
- Using a high temp black stove paint, lightly spray the effected areas (several thin/light coats are better, than one heavy coat) ensuring all areas are completely covered.
- Allow paint to dry for at least 30 minutes before lighting. (Paint will fully cure when fire is next lit).

## Glass Removal

To remove Glass open door and then slide glass panels out in directions shown. To replace reverse the procedure. Note Door Glass can be removed by removing the glass retaining bracket by removing the M5 nuts using suitable spanner. But glass can be cleaned on both sides whilst still in place with the door held open.



## Storage

Do Not move or store the 'Tabletop Cube' until the fire is completely out.

Once the fire is out, coals and ash are cold and 'Tabletop Cube' is cool to touch, open door and lift out burner rack, then brush all ash and coals into pedestal, replace burner rack and close door. Leave for a short period to allow ash to settle in ash pan.

Then remove ashpan and dispose of ashes in a suitable manner, and re-fit ash pan, Remove the flue pipe and cowl.

Store 'Tabletop Cube' flue and cowl in a suitable location away from children and pets.

# GUARANTEE

## CONDITIONS OF WARRANTY

If this appliance should prove to be defective due to faulty design, materials or workmanship within 12 months of purchase, the product will be repaired free, subject to the following conditions.

1. The 'Tabletop Cube' shall have been purchased and used solely within the UK for domestic purposes and in accordance with the Users Operating instructions.
2. It is the purchaser's responsibility to prove that the unit is under guarantee, e.g. receipt of purchase.
3. On discovery of a fault, the purchaser should contact the dealer from whom the product was purchased in order to ascertain whether they or a service centre will carry out the repair. If problems are encountered the purchaser may contact the service centre shown with this product. All transportation will be at the purchaser's expense and risk.
4. All guarantees will be invalidated if unauthorised repairs or modifications are made to the 'Tabletop Cube', or in case of accident, misuse, or damage caused by improper installation, or to damage occurring during transit to or from the repairer and altered or missing serial numbers.
5. Any parts, which have been replaced under this guarantee, shall become our property.
6. The company shall not be liable for any consequential loss or damage whatsoever, arising from or in connection with this 'Tabletop Cube'.
8. 'No fault found', service calls and installation errors are not covered under the Manufacturers guarantee and will result in a charge being made for the call out by our appointed service engineer.
9. This guarantee is in addition to and does not affect the purchaser's statutory rights of Consumers.
10. The company will arrange call-out requests within a mutually agreed time frame. If the companies appointed engineer cannot gain access or receives no answer, a call-out charge will be incurred.
11. The company reserve the right to alter, change and amend or cancel any aspect of these terms & conditions in whole or part without prior notice.

**Mohawk Building**  
**Gorse Street**  
**Blackburn**  
**Lancashire**  
**BB1 3EU**  
Tel: **01254 695244**  
Web: **www.legend-fires.com**  
Email: **info@legend-fires.com**



## Tabletop Cube Optional Extras

Portable Log Store



Maintenance Kit



Fire Gloves



Hearth





Legendfires 

**Mohawk Building  
Gorse Street  
Blackburn  
Lancashire  
BB1 3EU**

**Tel: 01254 695244**

**Web: [www.legend-fires.com](http://www.legend-fires.com)**

**Email: [info@legend-fires.com](mailto:info@legend-fires.com)**

Legendfires 

