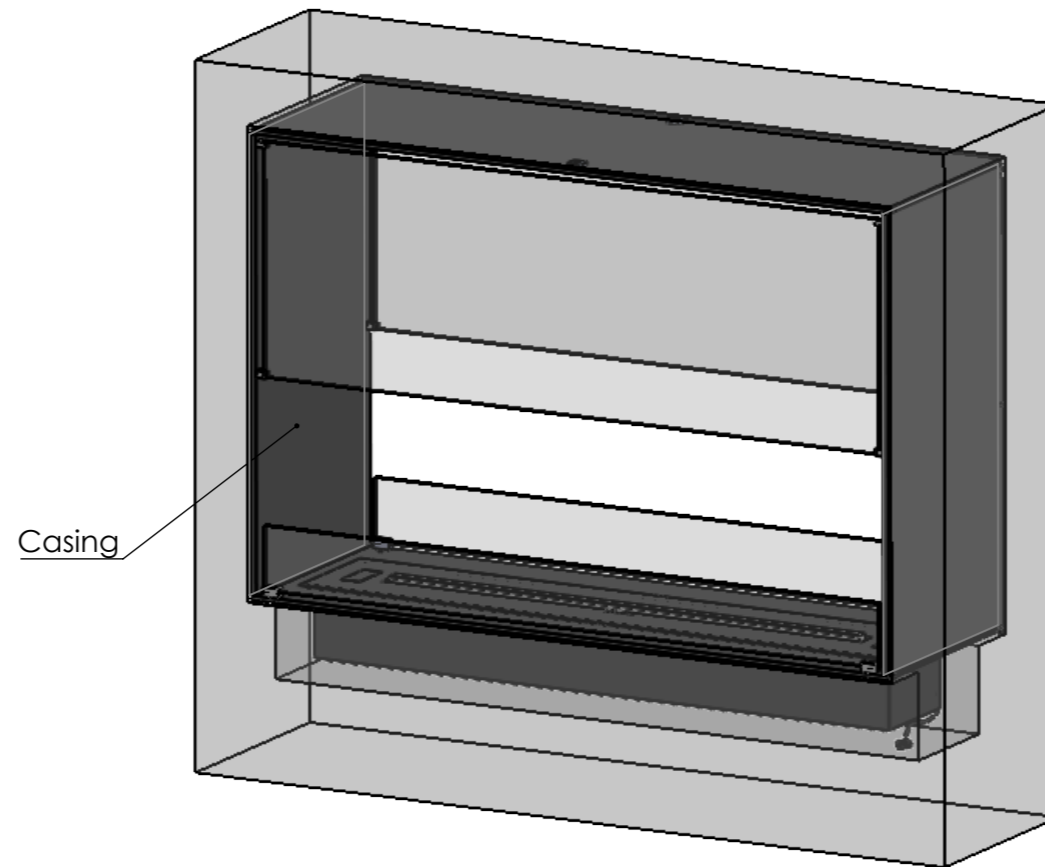


decoflame® Montreal Vue, Denver F6 1120 FT900 Open front and back 1200x800x400mm, Black


2x 110mm low glass / 2x high glass
with remote control and Bluetooth / App control and 6 step flame level
Wall cut-out "1210x810x400mm"



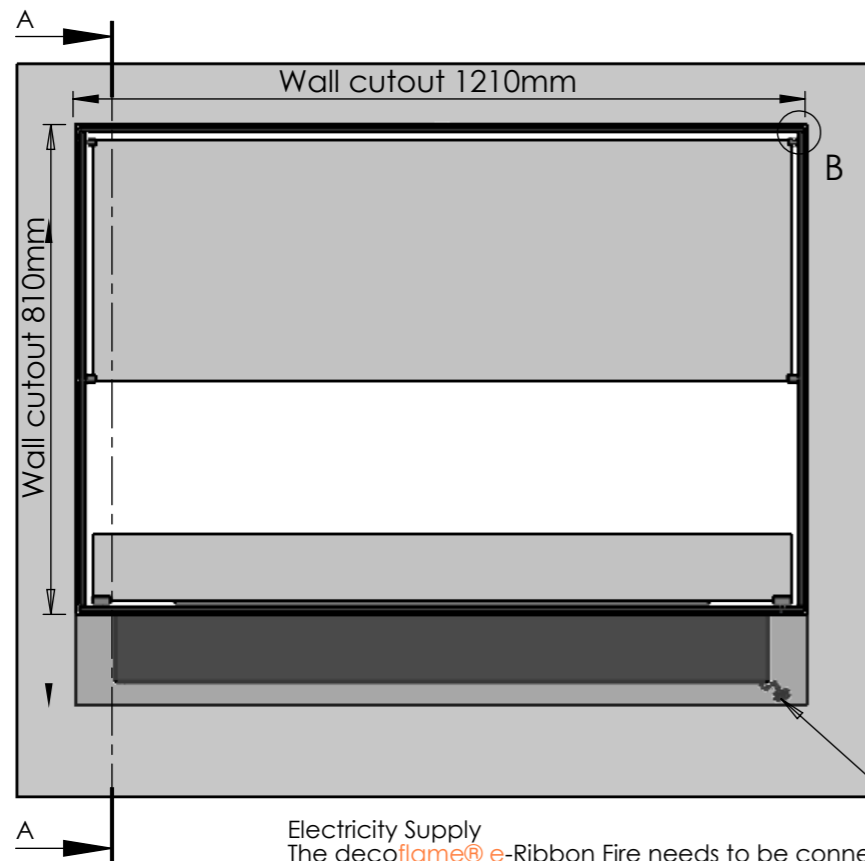
Casing Addition:
Black / Brushed cobber / Polished copper / Brushed brass /
Polished brass / Polished stainless steel

ATTENTION

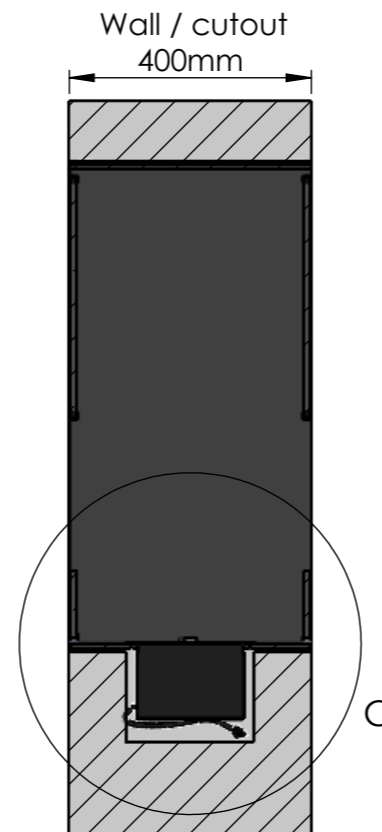
Reservations are made for glass tolerances both in length and height of $\pm 2.5\text{mm}$ and in thickness of $\pm 0.3\text{mm}$ according to DS/EN 12150.

Dimensions are in millimeters		 DecoFlame ApS Vang Mark 2 9380 Vestbjerg TLF: +45 96 30 48 00 www.decoflame.com	SCALE: 1:10
REVISION:	Date 04-12-2020		FORMAT: A3
Author: TTK		Order Number - Customer - Reference: PRINCIPLE Montreal Vue Front and Back - conv. 1200x800x400mm - 1x Denver F6 1120 - 2x low glass 2x high glass	Page 1 OF 4
Copyright of DecoFlame ApS Denmark, whose property this document remains. No part thereof may be disclosed, copied, duplicated or in any other way made use of, except with the approval of DecoFlame ApS.			Customer Approval Signature - Date

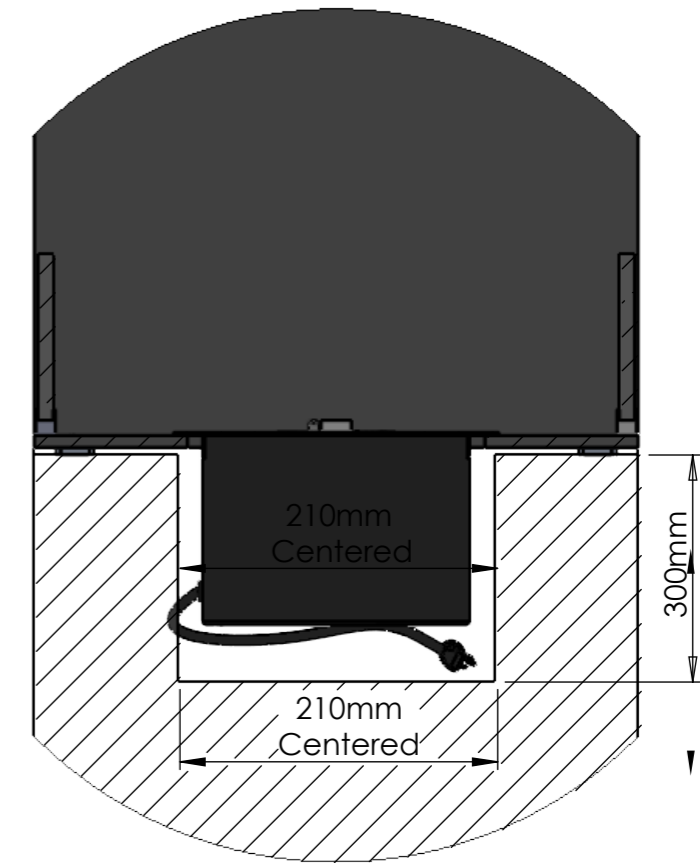
Montreal - Open to front and back



Electricity Supply
The decoflame® e-Ribbon Fire needs to be connected to the mains. Make sure there is a power socket for 230V - 50 Hz installed inside the wall cut-out.

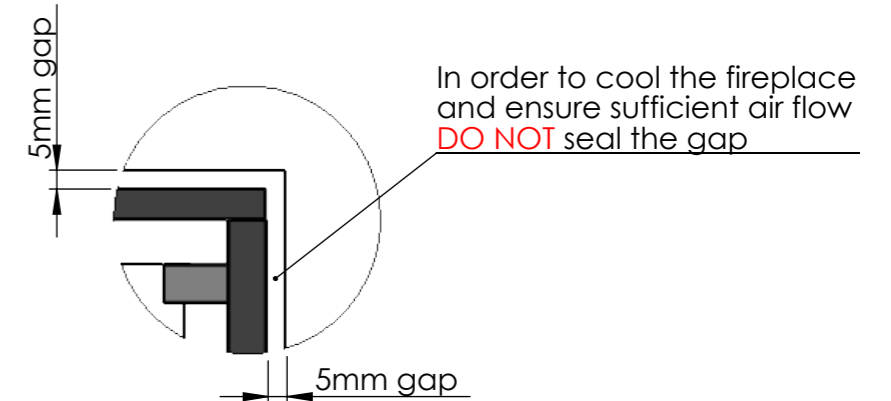
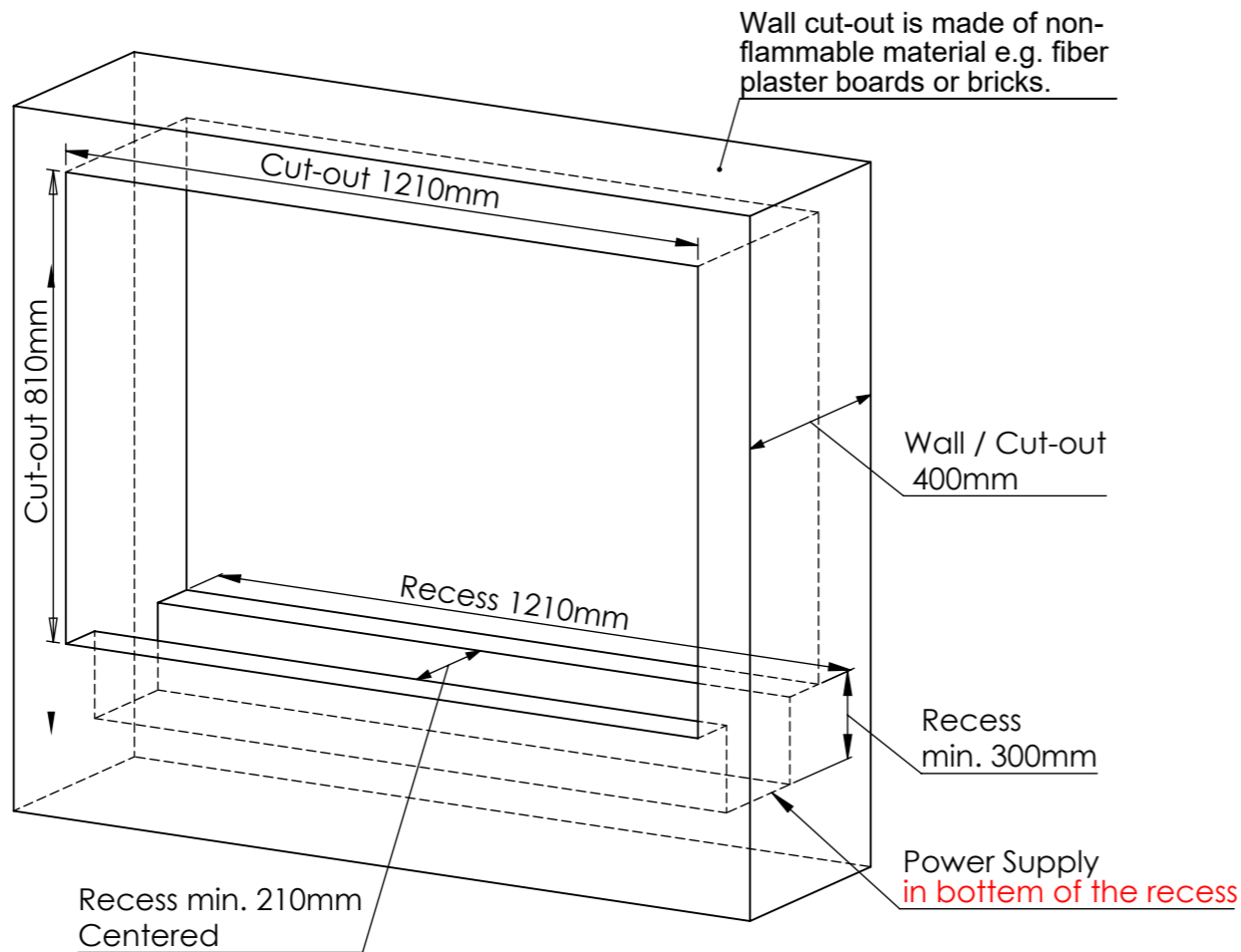


SECTION A-A
SCALE 1 : 10




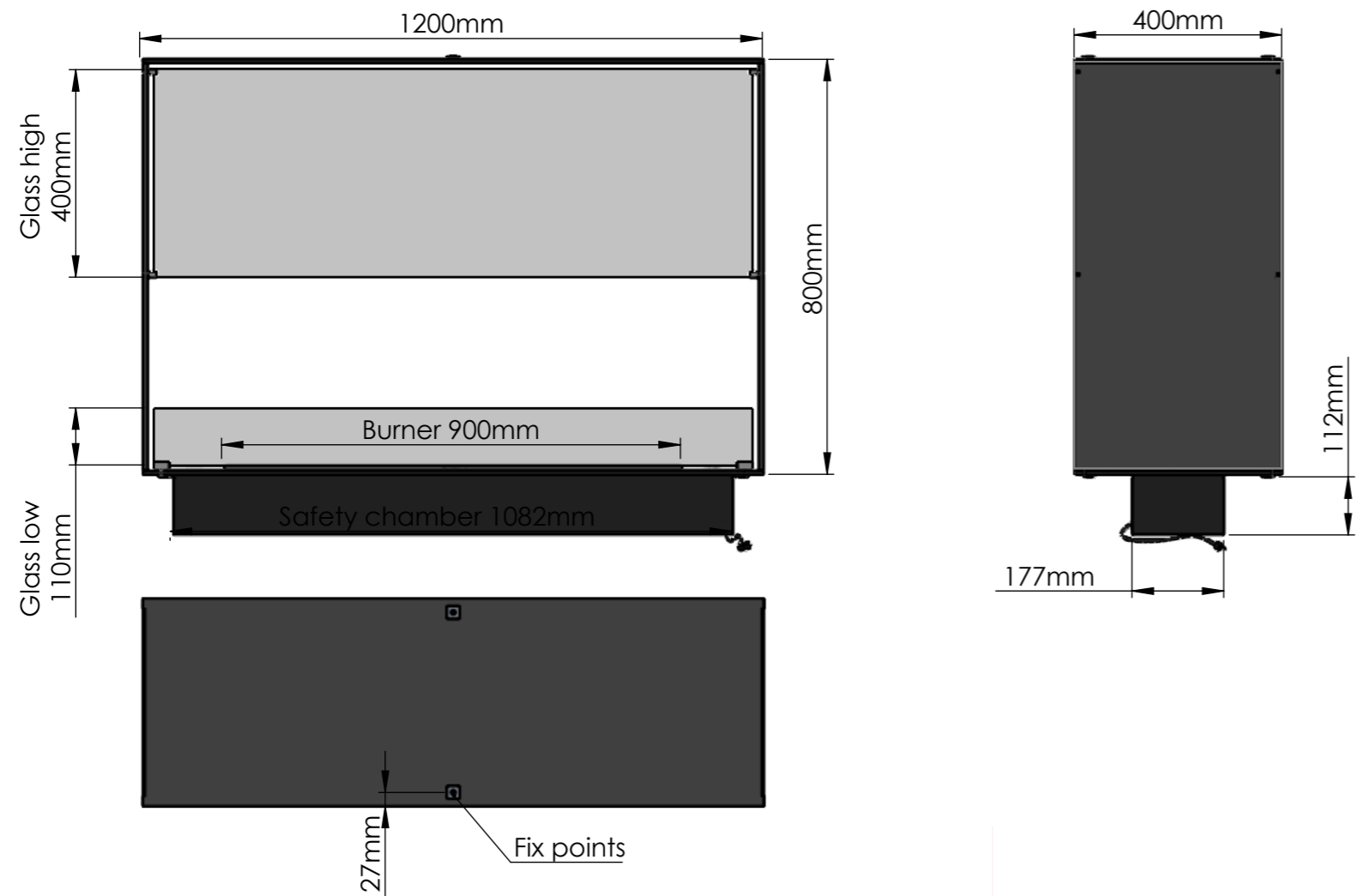
DETAIL C
SCALE 1 : 5

Wall cut-out dimensions



DETAIL B
SCALE 1 : 2

REVISION:		Date	 DecoFlame ApS Vang Mark 2 9380 Vestbjerg TLF: +45 96 30 48 00 www.decoflame.com	SCALE: 1:12
		04-12-2020		FORMAT: A3
Author:		Order Number - Customer - Reference:		
TTK		PRINCIPLE Montreal Vue Front and Back - conv. 1200x800x400mm - 1x Denver F6 1120 - 2x low glass 2x high glass		
Copyright of DecoFlame ApS Denmark, whose property this document remains. No part thereof may be disclosed, copied, duplicated or in any other way made use of, except with the approval of DecoFlame ApS.		Customer Approval Signature - Date		



General Installation Guidelines for "decoflame® made to measure fireplaces", open to two sides:

It is essential to maintain a 5mm gap all the way around the fireplace (Cut-out = Fireplace Dimensions + 10mm) This gap must not be sealed.

As the edges of the cut-out remain visible it is important that they are done to the highest possible finish. All four corners of the cut out must have exactly a 90 degree angle.

Plasterboard walls - Stud-walls

All surfaces inside the wall cut-out are to be covered with fibre plaster sheets or other non-flammable materials.

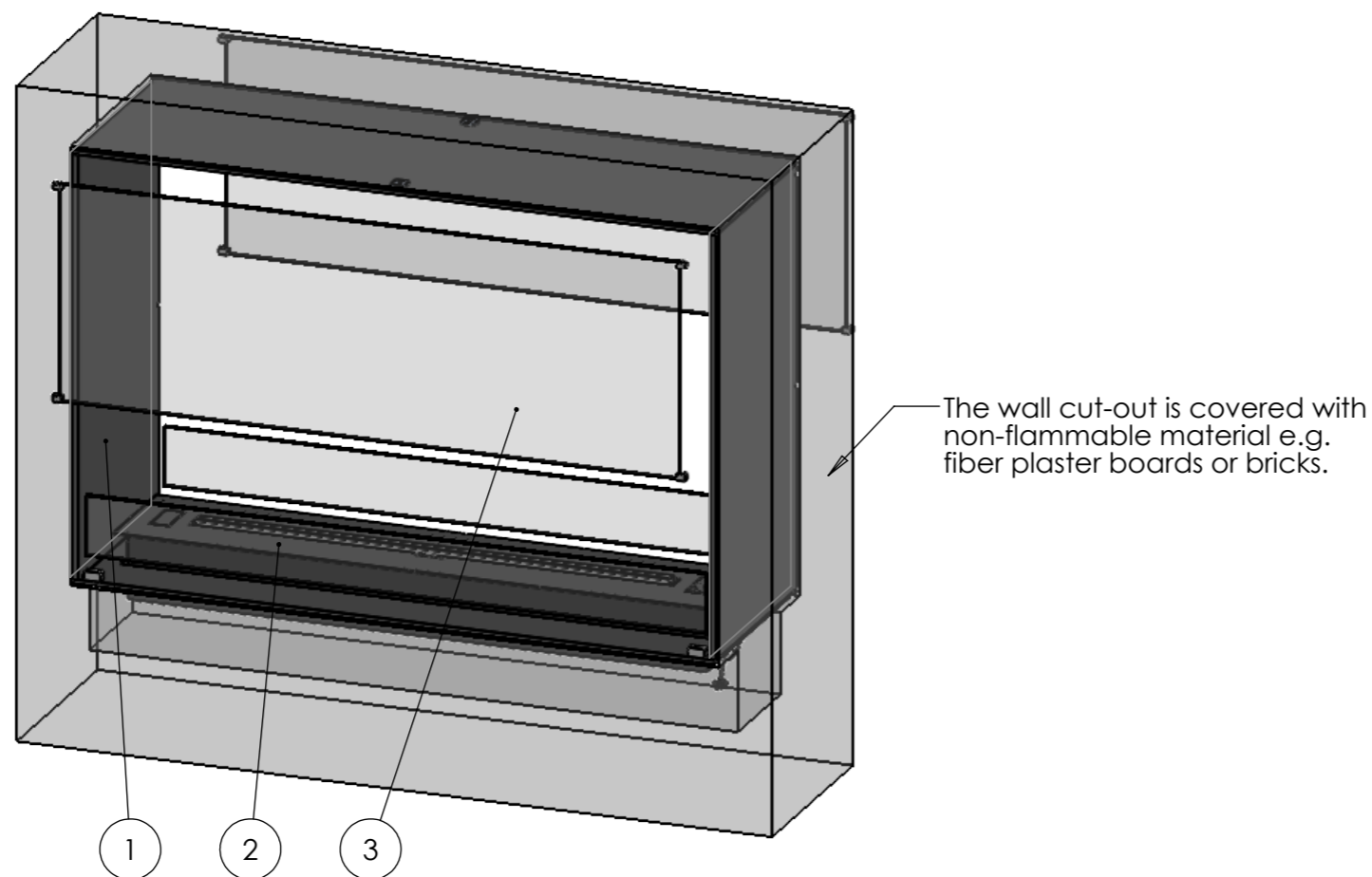
Stone/Brick walls

The cut-out is made according to the attached drawing.

Important

Make sure to create a closed cavity for the section below the base plate of the fire and above the roof of the fireplace.

Installation process



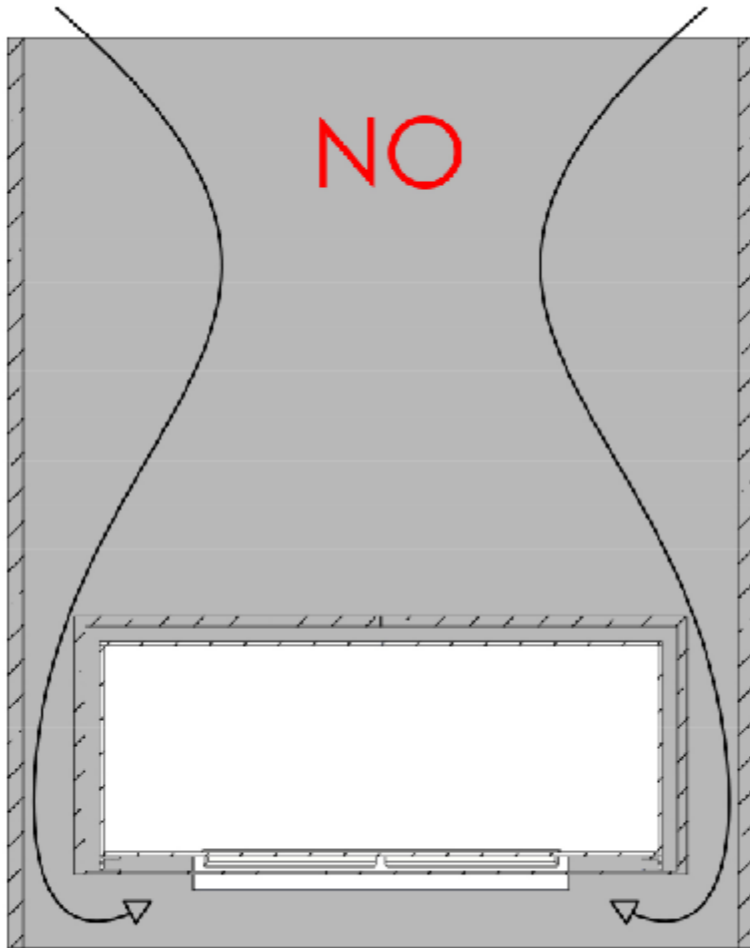
Exploded view showing the installation process.

1. The body of the fireplace is centered in the wall cut out. Sceured with fasteners and use suited wall plugs.
2. Connect the burner to power socket and placed in the safety chamber.
3. Carefully secure the glass with included finger screws. **Remember rubber seals between screw and glass.**

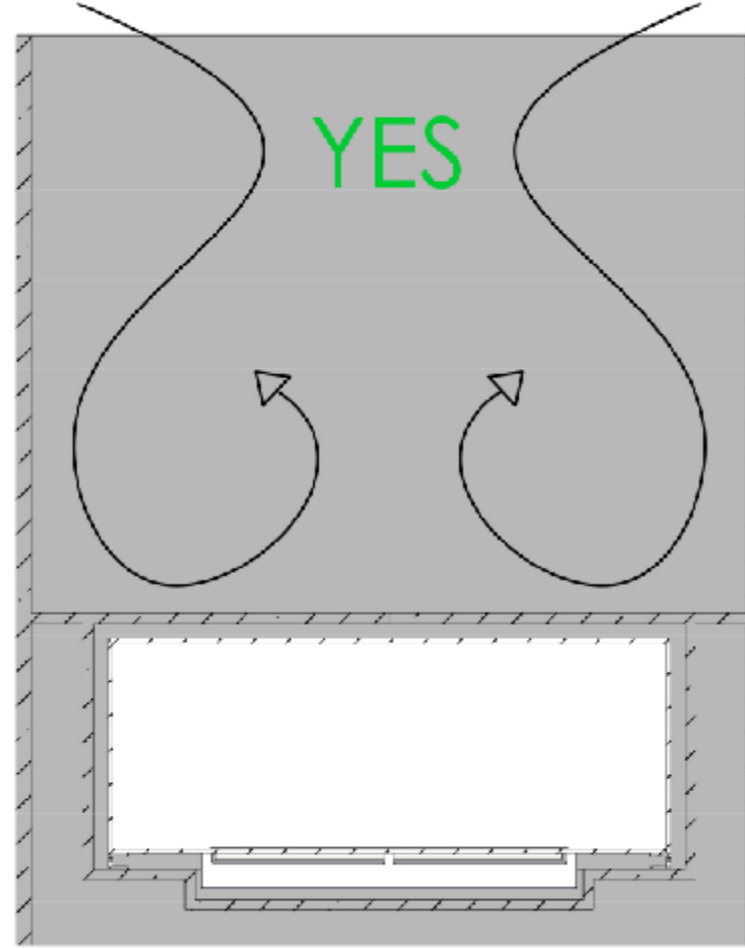
Dimensions are in millimeters		 DecoFlame ApS Vang Mark 2 9380 Vestbjerg TLF: +45 96 30 48 00 www.decoflame.com	SCALE: 1:10
REVISION:	Date		FORMAT: A3
	04-12-2020		Page 3 OF 4
Author: TTK		Order Number - Customer - Reference: PRINCIPLE Montreal Vue Front and Back - conv. 1200x800x400mm - 1x Denver F6 1120 - 2x low glass 2x high glass	
<small>Copyright of DecoFlame ApS Denmark, whose property this document remains. No part thereof may be disclosed, copied, duplicated or in any other way made use of, except with the approval of DecoFlame ApS.</small>		Customer Approval Signature - Date	

IMPORTANT INFORMATION

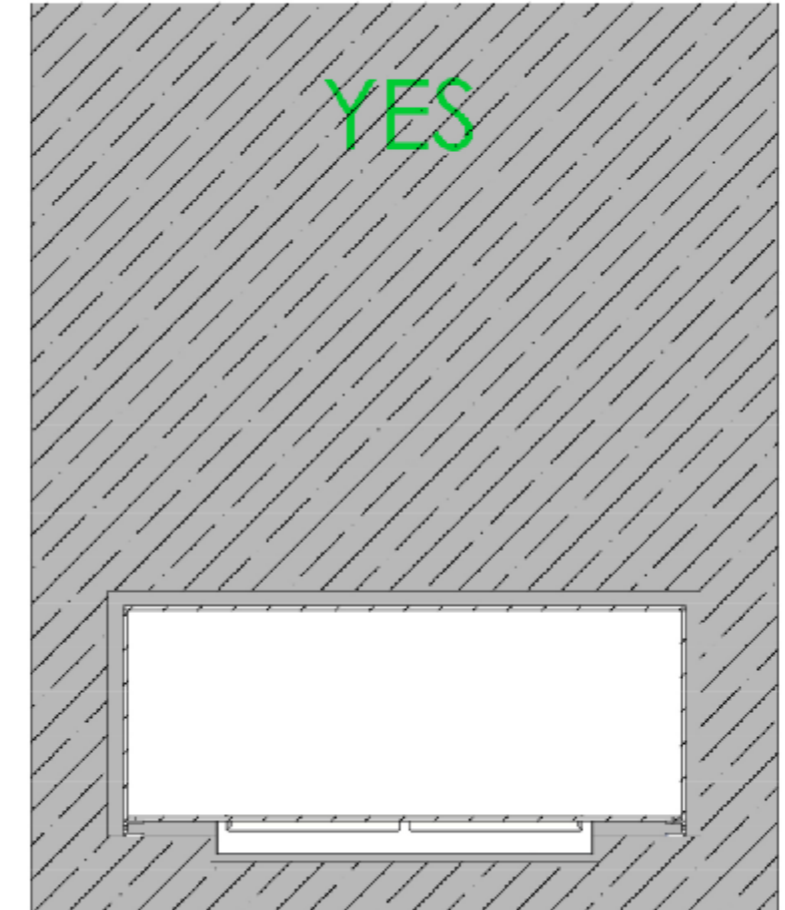
Particulars of the wall in which the fireplace shall be installed




DO NOT! install the fireplace in a wall construction which is open above and below the fireplace. The warm air will cause turbulences inside this hollow construction which will have a negative impact on the flames.



DO! install the fireplace in an open-wall construction, which is closed above and below the fireplace. Make sure to create a closed cavity for the section below the base plate of the fire.



DO! install the fireplace in a massive wall (made of bricks, stone or gas beton) using the wall cut-out dimensions mentioned on the previous page.

Dimensions are in millimeters		 DecoFlame ApS Vang Mark 2 9380 Vestbjerg TLF: +45 96 30 48 00 www.decoflame.com	SCALE: 1:10
REVISION:	Date 04-12-2020		FORMAT: A3
Author: TTK		Order Number - Customer - Reference: PRINCIPLE Montreal Vue Front and Back - conv. 1200x800x400mm - 1x Denver F6 1120 - 2x low glass 2x high glass	Page 4 OF 4
Copyright of DecoFlame ApS Denmark, whose property this document remains. No part thereof may be disclosed, copied, duplicated or in any other way made use of, except with the approval of DecoFlame ApS.		Customer Approval Signature - Date	