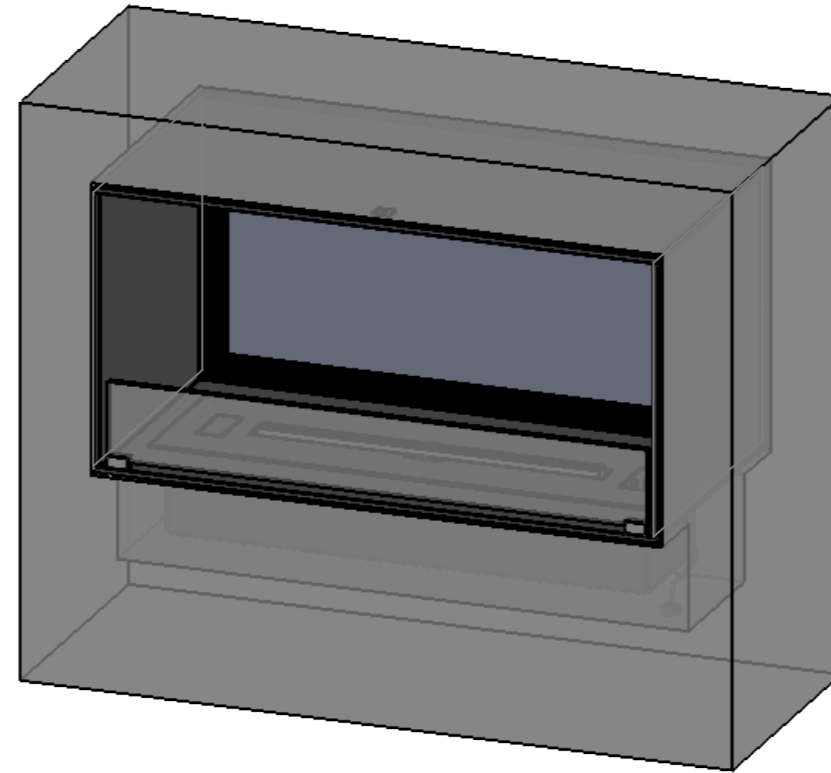


decoflame® Montreal CLEARDenver F6 720 FT500 Open front and back 800x400x408mm, Black

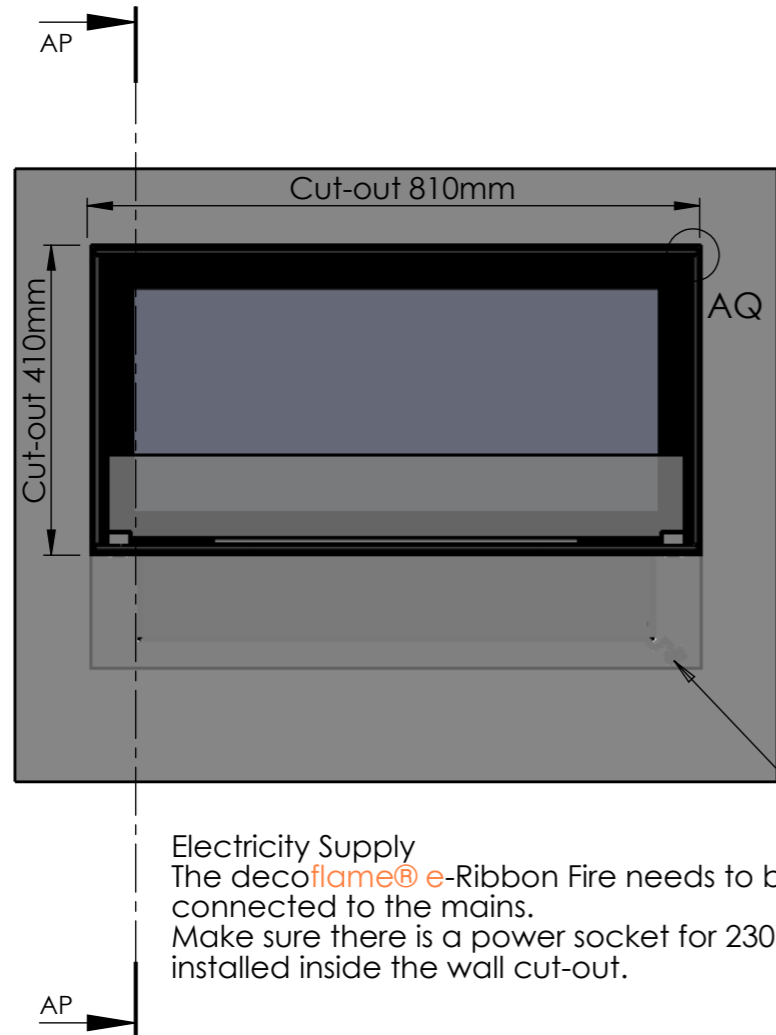
1x 110mm low glass front and 1x full glass "CLEAR" back
with remote control and bluetooth / app control and 6 step flame level
Wall cut-out "810x410x408mm"



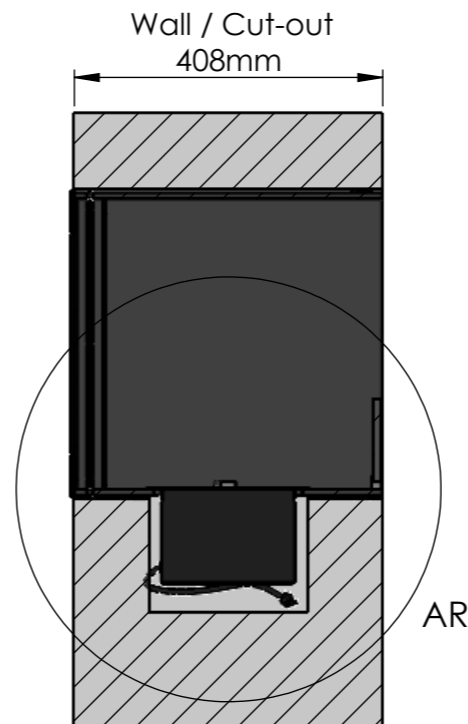
ATTENTION

Reservations are made for glass tolerances both in length and height of $\pm 2.5\text{mm}$ and in thickness of $\pm 0.3\text{mm}$ according to DS/EN 12150.

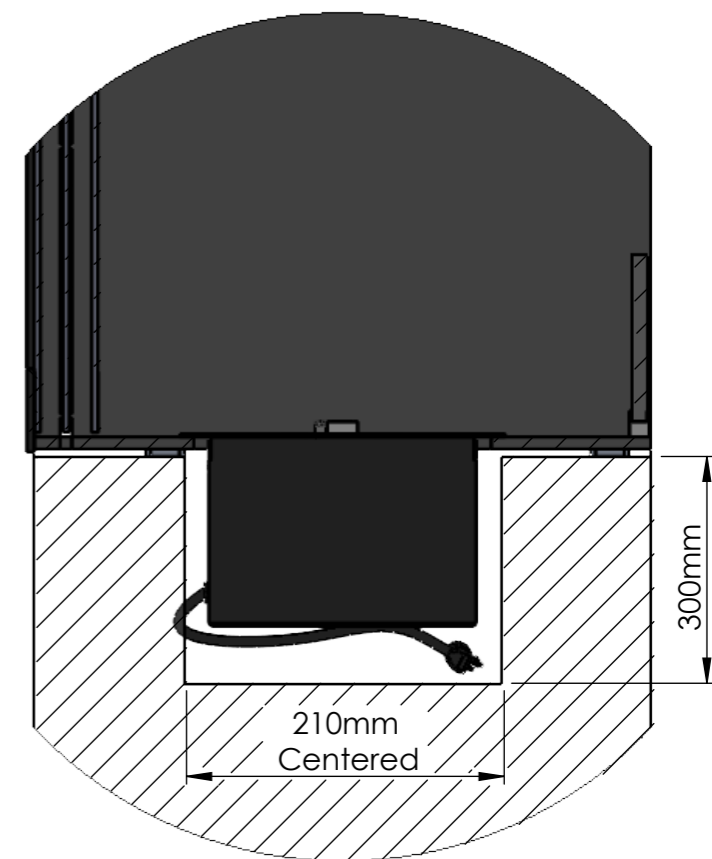
Dimensions are in millimeters		 DecoFlame ApS Vang Mark 2 9380 Vestbjerg TLF: +45 96 30 48 00 www.decoflame.com	SCALE: 1:10
REVISION: -	Date 14-07-2021		FORMAT: A3
Author: TTK		Order Number - Customer - Reference: PRINCIPLE Montreal Clear Front and Back - conv. 800x400x408mm - 1x Denver F6 720 - low high glass	Page 1 OF 4
Copyright of DecoFlame ApS Denmark, whose property this document remains. No part thereof may be disclosed, copied, duplicated or in any other way made use of, except with the approval of DecoFlame ApS.			Customer Approval Signature - Date



Electricity Supply
 The decoflame® e-Ribbon Fire needs to be connected to the mains.
 Make sure there is a power socket for 230V - 50 Hz installed inside the wall cut-out.

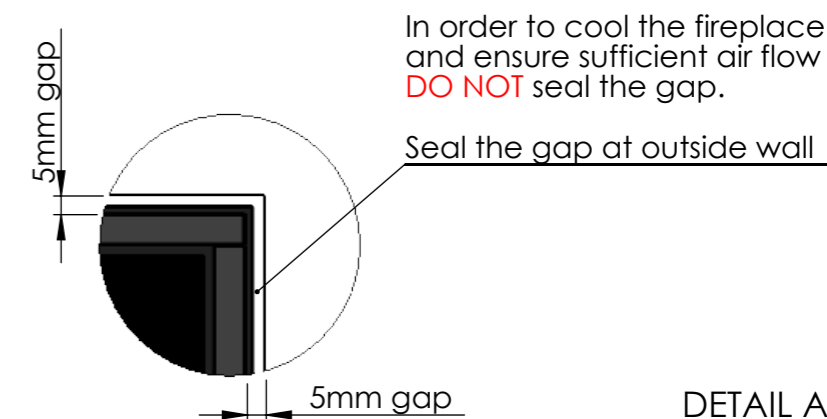
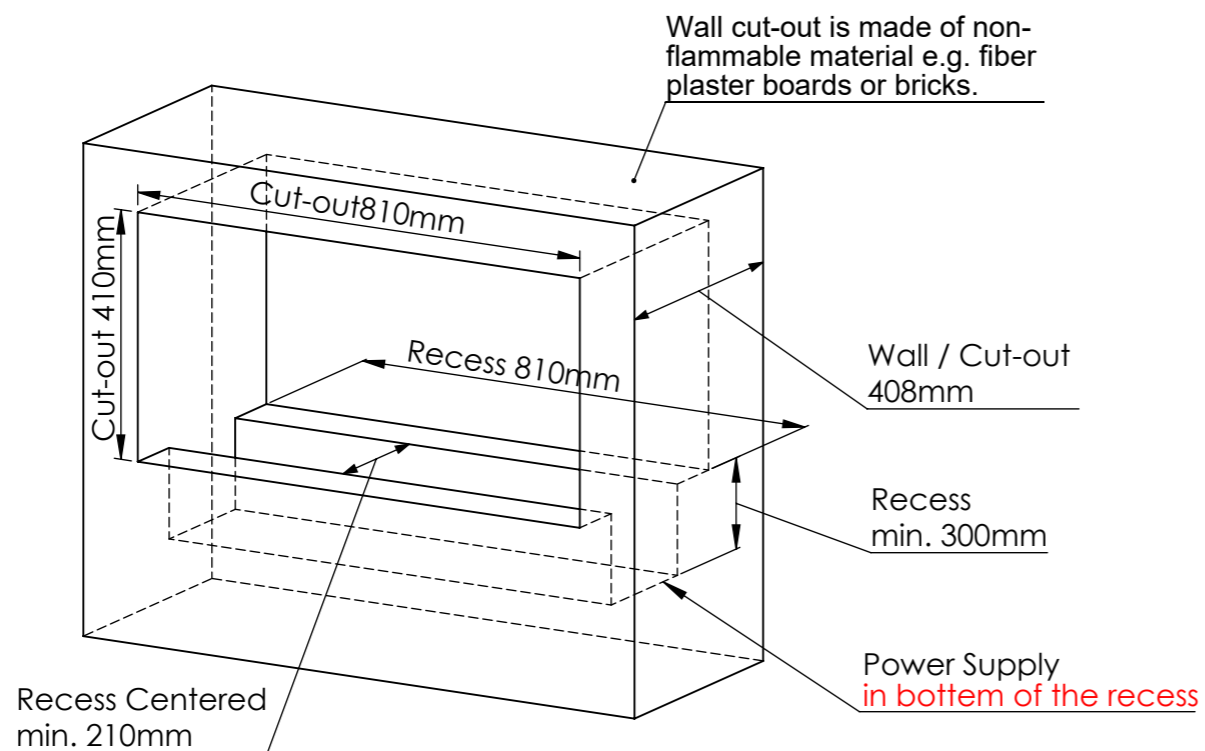


SECTION AP-AP
 SCALE 1 : 10



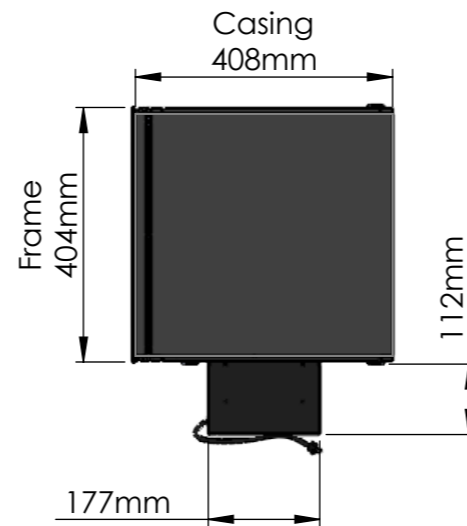
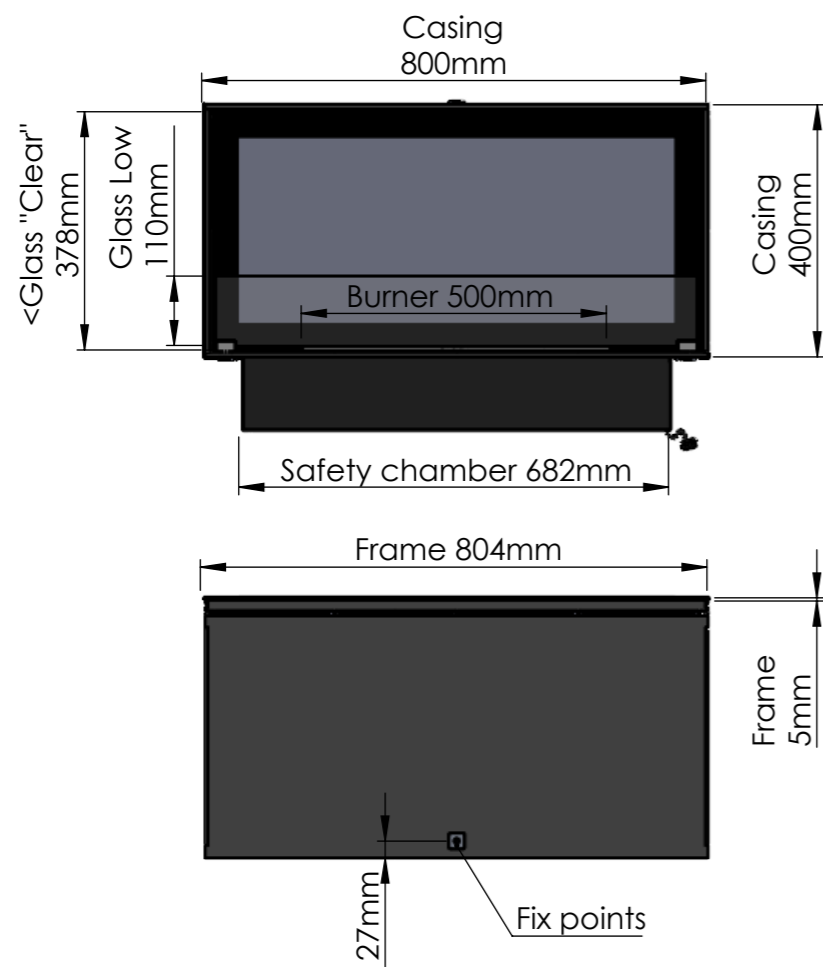
DETAIL AR
 SCALE 1 : 5

Wall cut-out dimensions



DETAIL AQ
 SCALE 1 : 2

REVISION: -		Date: 14-07-2021	 DecoFlame ApS Vang Mark 2 9380 Vestbjerg TLF: +45 96 30 48 00 www.decoflame.com	SCALE: 1:12
Author: TTK		Order Number - Customer - Reference:		FORMAT: A3
Copyright of DecoFlame ApS Denmark, whose property this document remains. No part thereof may be disclosed, copied, duplicated or in any other way made use of, except with the approval of DecoFlame ApS.		PRINCIPLE Montreal Clear Front and Back - conv. 800x400x408mm - 1x Denver F6 720 - low high glass		Page 2 OF 4
		Customer Approval Signature - Date		



General Installation Guidelines for "decoflame® made to measure fireplaces", open to two sides:

It is essential to maintain a 5mm gap all the way around the fireplace (Cut-out = Fireplace Dimensions + 10mm) This gap must not be sealed.

As the edges of the cut-out remain visible it is important that they are done to the highest possible finish. All four corners of the cut out must have exactly a 90 degree angle.

Plasterboard walls - Stud-walls

All surfaces inside the wall cut-out are to be covered with fibre plaster sheets or other non-inflammable materials.

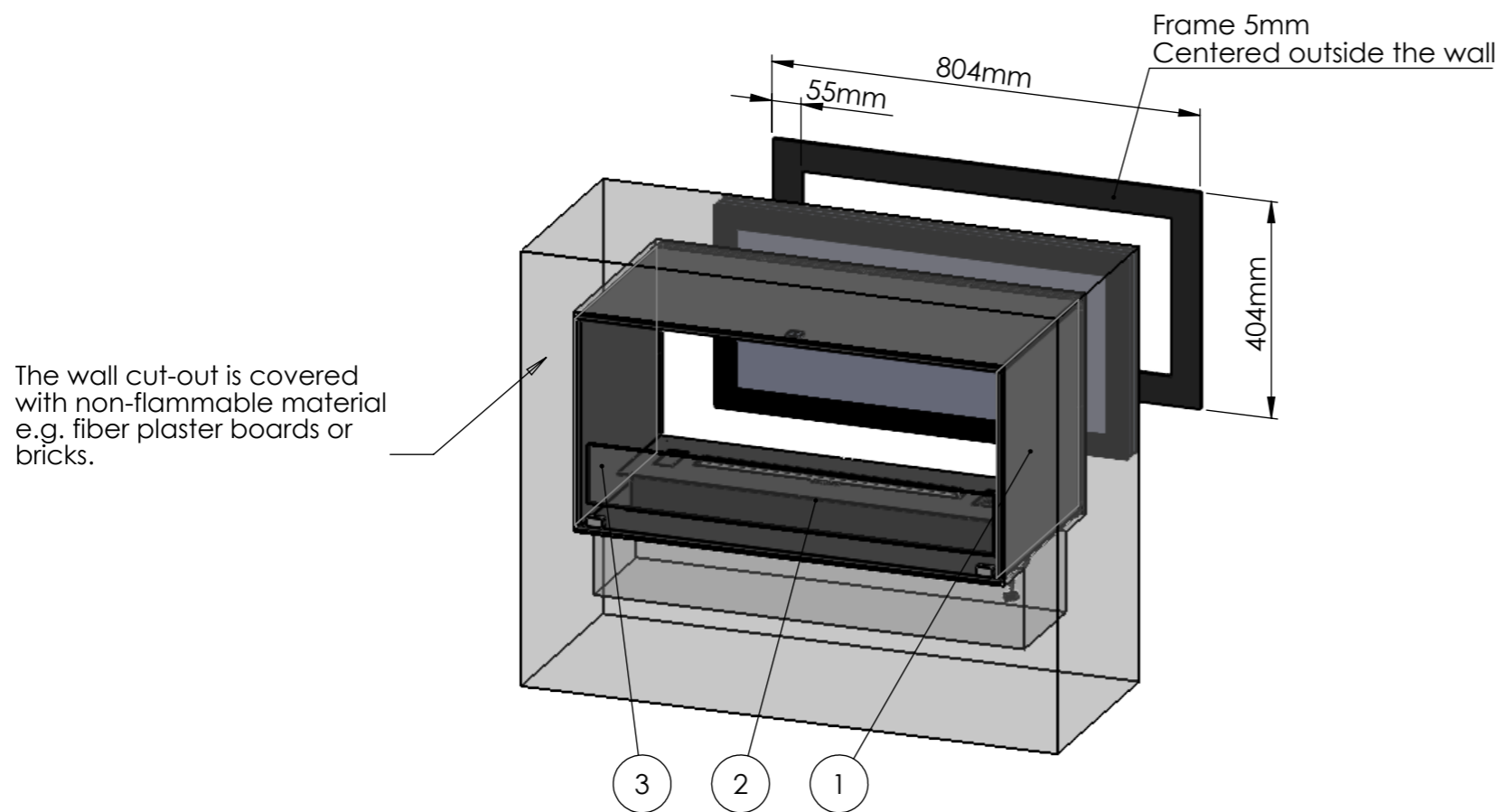
Stone/Brick walls

The cut-out is made according to the attached drawing.

Important

Make sure to create a closed cavity for the section below the base plate of the fire and above the roof of the fireplace.

Installation process



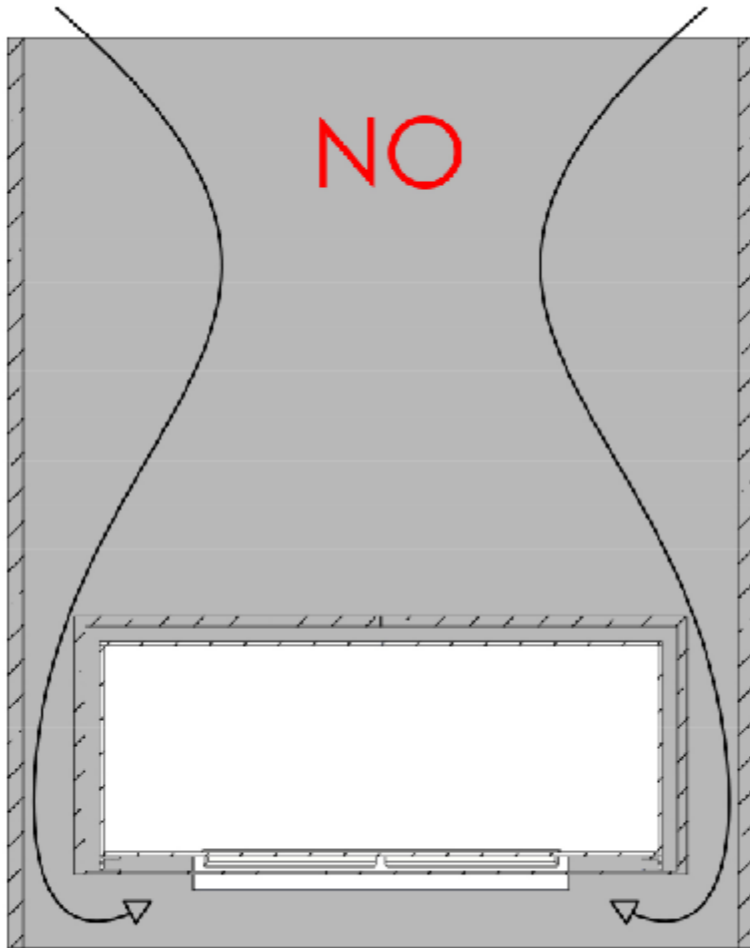
Exploded view showing the installation process.

1. The body of the fireplace is centered in the wall cut out.
Glass back "Clear" sealed with heat resistant silicone.
Secured with the fasteners. Depending on type the of wall use suited wall plugs.
2. Connect to power socket and place the burner in the safety chamber.
3. Gently place the glass front on glass holders.

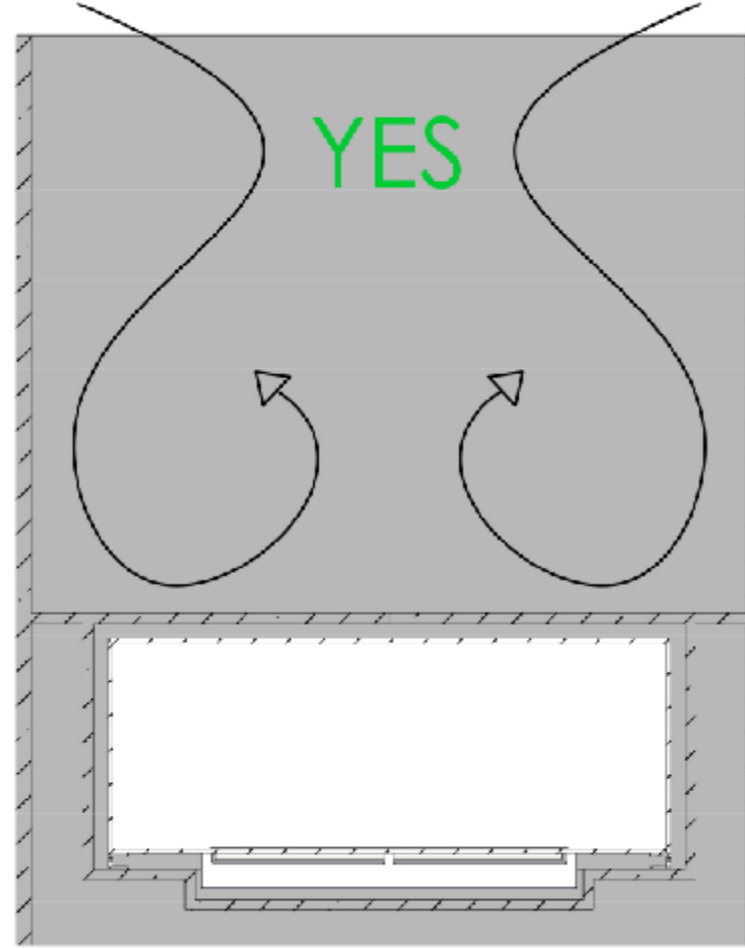
Dimensions are in millimeters		 DecoFlame ApS Vang Mark 2 9380 Vestbjerg TLF: +45 96 30 48 00 www.decoflame.com	SCALE: 1:10
REVISION:	Date		FORMAT: A3
-	14-07-2021		Page 3 OF 4
Author: TTK		Order Number - Customer - Reference: PRINCIPLE Montreal Clear Front and Back - conv. 800x400x408mm - 1x Denver F6 720 - low high glass	
Copyright of DecoFlame ApS Denmark, whose property this document remains. No part thereof may be disclosed, copied, duplicated or in any other way made use of, except with the approval of DecoFlame ApS.		Customer Approval Signature - Date	

IMPORTANT INFORMATION

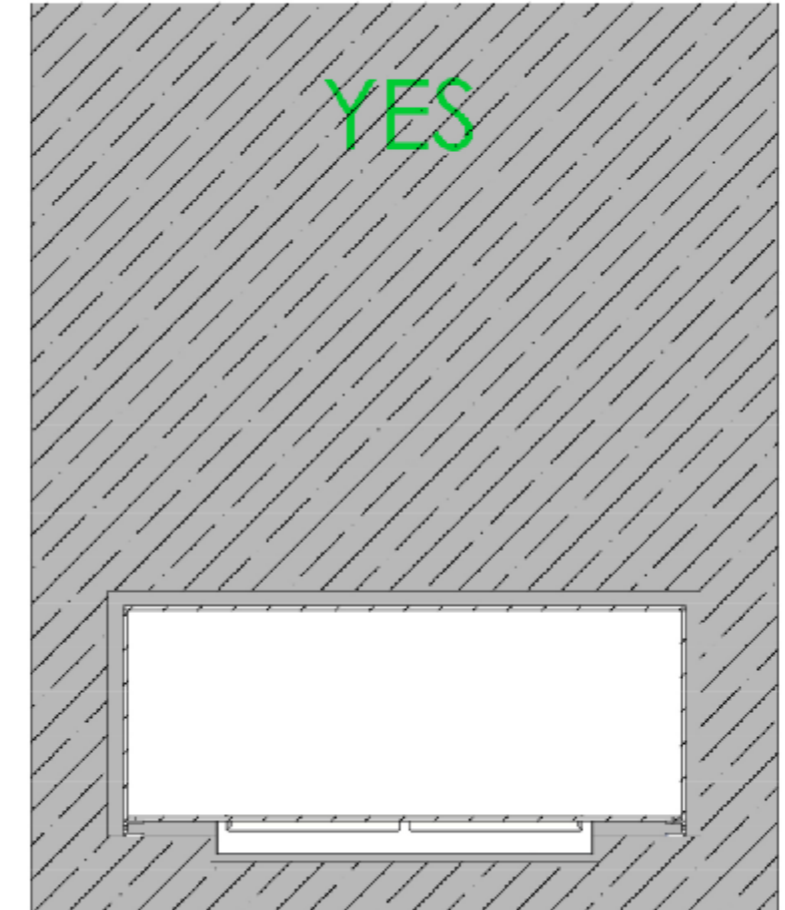
Particulars of the wall in which the fireplace shall be installed



DO NOT! install the fireplace in a wall construction which is open above and below the fireplace. The warm air will cause turbulences inside this hollow construction which will have a negative impact on the flames.



DO! install the fireplace in an open-wall construction, which is closed above and below the fireplace. Make sure to create a closed cavity for the section below the base plate of the fire.



DO! install the fireplace in a massive wall (made of bricks, stone or gas beton) using the wall cut-out dimensions mentioned on the previous page.

Dimensions are in millimeters		 DecoFlame ApS Vang Mark 2 9380 Vestbjerg TLF: +45 96 30 48 00 www.decoflame.com	SCALE: 1:10
REVISION: -	Date 14-07-2021		FORMAT: A3
Author: TTK		Order Number - Customer - Reference: PRINCIPLE Montreal Clear Front and Back - conv. 800x400x408mm - 1x Denver F6 720 - low high glass	Page 4 OF 4
Copyright of DecoFlame ApS Denmark, whose property this document remains. No part thereof may be disclosed, copied, duplicated or in any other way made use of, except with the approval of DecoFlame ApS.		Customer Approval Signature - Date	