

# MANUAL ASCOT LUX



## TABLE OF CONTENT

1. Packaging	page 2
2. Content of the Box	page 3
3. Safety	page 3
4. Positioning & Installation	page 4
5. Operating Instructions	page 5
6. Maintenance	page 6
7. Disposal & Recycling	page 6
8. Bioethanol	page 6
9. Symbols of Awareness	page 7

**It is imperative that you read this manual before using the fireplace. Keep the manual in a safe place for further reference.**

It is important that you read the installation and operation instructions and adhere to the safety measures described in this document.

Decoflame ApS cannot be held responsible for any damage caused as a result of non-adherence to these instructions.

Please keep the packaging of your fireplace in case it needed to be sent back to the factory.

## 1. PACKAGING

### Upon receiving the fireplace, take notice of the following:

The fireplace can be packed in:

- 1) A cardboard box with polystyrene inside and placed on a pallet.
- 2) A wooden crate with polystyrene inside and with 50-100mm wooden support for easier handling with a fork- or pallet lift.

### Damages of the packaging

Please check the state of the cardboard box or the wooden crate while the courier is still there for visible damages.

If any damages are visible on the packaging it is **EXTREMELY IMPORTANT** to write a report remark about them on the delivery note, in the presence of the courier. Afterwards it is very important to contact Decoflame immediately with the following documentation:

- 1) Photos of all 4 sides of the pallet or wooden crate / cardboard box.
- 2) A description and explanation of the damage.
- 3) A copy or a photo of the delivery note from the driver/courier with the written remark and tracking number.

Contact the courier company immediately and inform them about the damage. Please remember to inform the tracking number.

Hereinafter Decoflame will contact you within the following 3-5 working days.

*When you remove the fireplace from the pallet or take it out of the box, please follow the instructions below carefully.*

### Unpacking the fireplace

Lift or drive the whole box or crate as close as possible to the place where the fireplace is going to be mounted or installed.

Open the box or wooden crate carefully without causing scratches or damages. We recommend use of drilling machine with TX20 or screw driver. Make sure that you slowly and carefully take out the fireplace and place it down on a flat surface without dropping it.

Please make sure that every item or part is wrapped out of the foam foil. If anything is missing please contact Decoflame immediately or send an email describing the missing parts together with photos of the contents in the box.

It is very **IMPORTANT** to keep the wooden crate or the cardboard, in case the fireplace will need to be returned to Decoflame for service or repair. In the situation where the original packaging is not available anymore, Decoflame can send a new wooden crate. For further information about the costs, please contact Decoflame.

### Damages of the Fireplace

If the packaging is not damaged the wooden crate/cardboard box can be open.

If you notice any damage on the fireplace, the following information needs to be sent with Decoflame:

- 1) Photos of all 4 sides of the pallet / wooden crate AND the fireplace.
- 2) A description and explanation of the damage.
- 3) A copy or a photo of the delivery note from the courier with the written remark and tracking number.
- 4) Contact the courier and inform them about the damages. Please remember to inform the tracking number.
- 5) Contact Decoflame by email and enclose all documents according points 1-4. Please remember to inform the tracking number and order number - up to 5 digits (The order number can be found on the delivery note from Decoflame or from your retailer).

*The deadline for claiming transport damages is maximum 3 working days from the date of delivery.*

Contact information at Decoflame:

Decoflame ApS  
Vang Mark 2  
9380 Vestbjerg  
Denmark  
Tel. +45 96 30 48 00

(Opening hours: Mon-Thur. 08:00-16:00 and Fri. 08:00-15:30 Danish Time)  
Email: [logistics@decoflame.dk](mailto:logistics@decoflame.dk)  
Attention line in the email: Order number (Up to 5 digits).

Decoflame refers to The Generals Sales and Delivery Terms.  
If any questions or doubts please contact Decoflame or local retailer.

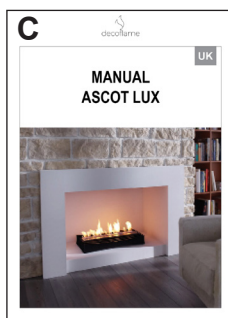
## DO NOT

1	<b>DO NOT</b> open the box or wooden crate with sharp objects.
2	<b>DO NOT</b> flip the cardboard box or wooden crate on the sides or on the top. The arrow stickers <b>MUST</b> be followed carefully.
3	<b>DO NOT</b> use a hammer or other hard objects.
4	<b>DO NOT</b> use saws or other similar objects.
5	<b>DO NOT</b> smoke near the fireplace as there might be bioethanol
6	<b>DO NOT</b> lift in the parts which are sensitive to lifting and bending.

## 2. CONTENT OF THE BOX



	Pcs.	Content
A:	1	<b>Ascot Lux:</b> Black grate (1) Safety chamber (1) Burner with slider (1+1) Hardened glass screens (2)
B:	1	Handle for slider lid
C:	1	Manual



## 3. SAFETY

Naturally, safety is imperative dealing with open fire. All decoflame® fireplaces are designed, manufactured and quality-tested in Denmark with highest product safety and user-friendliness in mind. Our fireplaces feature a unique and design-protected decoflame® burner which is thoroughly tested and its closing mechanism manually adjusted prior to leaving the production line.

**DO NOT** amend, add or omit any parts or components of this fireplace as this will void your warranty. **DO** always use both glass screens as these are needed to stabilise the flames and to prevent the burner from overheating, which will increase fuel consumption and cause problems when extinguishing the fire. Please strictly adhere at all times to all safety measures and installation instructions described in this manual.



Do not fill fuel into the open flame



Do not fill fuel into the hot burner

### ATTENTION

1	Chose a position for your fireplace which is not exposed to any draught, as bioethanol is a volatile fluid. In fact, only the vapors of the bioethanol are burning when lit.
2	Choose a solid ground surface, where the fireplace stands in a secure and level position.
3	<b>ONLY</b> adults may light and extinguish the flames.
4	Avoid draughts, as this can cause soot formation and increases the fuel consumption.
4	For safety reasons always keep a <b>safety distance</b> of at least 40 cm (16 in) from a lit fireplace.
5	Ensure that the room in which the fireplace is situated is well ventilated at all times during operation of your fireplace without causing any draught.
6	When choosing a suitable position for your fireplace please also consider keeping it out of reach of smaller children and pets.
7	You should not touch the flames of the lit fireplace or blow into the flames, as this will cause the flames to escape from the fireplace and become uncontrollable.
8	The metal of the burner and any glass parts of your World fireplace can become hot during use. <b>Avoid</b> contact with those parts to avoid burning.
9	<b>NEVER</b> leave the fireplace unattended when it is lit.
10	Are there children or pets around? If so, make sure ab adult <b>keeps an eye</b> on them at all times during the operation of your fireplace.
11	<b>ALWAYS</b> have the lid and the handle nearby!
12	<b>ALWAYS</b> light and extinguish your Decoflame® fireplace in a safe manner.



## 4. POSITIONING & INSTALLATION

### ASCOT LUX 400, 500 and 600

Heat efficiency:	1.6 kW/h
Weight:	18 kg
Burner volume:	1.9 litres of bioethanol. Only use bioethanol of at least 96.5% for Decoflame® fireplaces.
Burning duration/consumption:	One burner filling will last 4-7 hours, depending on size, flame intensity and air flow.

Heat efficiency:	2.0 kW/h
Weight:	22 kg
Burner volume:	2.4 litres of bioethanol. Only use bioethanol of at least 96.5% for Decoflame® fireplaces.
Burning duration/consumption:	One burner filling will last 4-7 hours, depending on size, flame intensity and air flow.

Heat efficiency:	2.4 kW/h
Weight:	25 kg
Burner volume:	2.9 litres of bioethanol. Only use bioethanol of at least 96.5% for Decoflame® fireplaces.
Burning duration/consumption:	One burner filling will last 4-7 hours, depending on size, flame intensity and air flow.

Make sure that you position your fireplace in a safe place, which means with a distance of at least one metre from furniture, curtains or other inflammable objects. The minimum distance between the burner opening and anything above it is 500mm.



The Ascot Lux is designed to be used as a fireplace insert. Ideally, any chimney opening has been closed with non-inflammable material in order to keep 100% of the heat generated indoors and to avoid draught.

**DO NOT** place any valuable paintings or electronic equipment like TV screens or speakers in short proximity to the opening of the fireplace. The warm air from the fire will rise upwards and might damage anything in its way.

**DO** use the Ascot Lux only as intended with both glass screens (to the front and to the back (the one with the glass hole in the bottom is the glass screen for the front). These will help stabilise the flames (protecting them against draught) and reduce the fuel consumption. If in doubt, please call Decoflame.

You should not touch the flames of the lit fireplace insert or blow into the flames, as this will cause the flames to escape from the fireplace and they will become uncontrollable.

Always keep a safety distance of at least 40 cm from a lit fireplace.

When lit, the glass screens will be warm, as the heat is led upwards. **DO NOT** place anything on top of your fireplace.

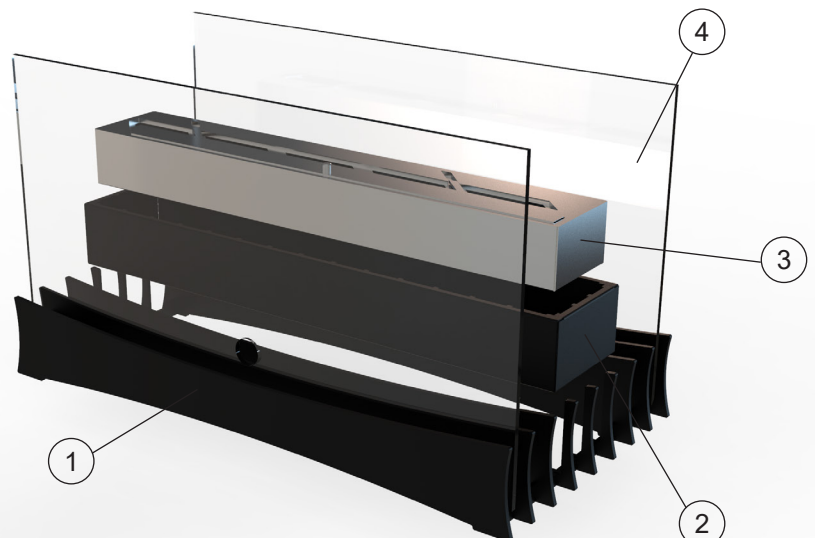
Do you have children or pets in the home? If so, make sure an adult keeps an eye on them at all times during operation of your fireplace and never leave your fireplace unattended when it is lit.

If in doubt, please contact Decoflame.

### INSTALLATION

- Once unpacked, insert the safety chamber and the burner into the cast iron support.
- Insert the glass screens carefully into their position to the front and back (the hole in the front screen has to face downwards).
- Then place the slider lid on top of the burner opening.
- Position the Ascot Lux inside the cavity of your fireplace.
- Then the burner can be filled with bioethanol to the MAX level indicator. Wipe off any spillage, wash your hands.
- Then you can light the bioethanol vapours with a long lighter.

1. Black grate (1)
2. Safety chamber (1)
3. Burner and slider lid (1 + 1)
4. Glass screens (2 the one for the front has a hole in it which needs to face downwards)



## 5. OPERATING INSTRUCTIONS

Ascot Lux is designed and manufactured exclusively for use with liquid bioethanol of highest purity (96.5 - 97.5%).

**DO NOT** use any other fuel or materials or bioethanol of inferior quality as this will void your warranty.

### Filling and lighting

The fireplace must **ONLY** be lit up when it is cold!

**NEVER** light a fireplace if you have spilled bioethanol outside the burner.

Purchase the bioethanol in a specialist shop or online and make sure it is min. 96.5% and max. 97.5%.

1. Open the slider of the burner.
2. Open a bottle of bioethanol and fill the fuel into the burner opening until the liquid becomes visible to max. indicator. We recommend using a funnel or filling tap in order to avoid spilling and you must refill the burner to max. every time you wish to use the fireplace.
3. Use a long lighter, minimum 140mm between ignition point and handle - to light the vapours.

### Extinguish

Ideally, you allow all of the bioethanol in the burner to be burnt.

Should it be necessary to extinguish the fire before the burner is empty, please **ONLY** use the following method: place the hole in handle supplied with your fireplace on the stud of the burner lid and slide the lid to a closed position by pulling it in a continuous, decisive movement towards you. In this way, the oxygen supply is interrupted immediately and the flames are extinguished. Should you not succeed at the first attempt, do try again until the flames are extinguished.

If the burner has been half closed, it is recommended to place the shutter in the fully open position, wait 5-10 minutes and then close it. This is because the shutter bends due to heat when it is in semi-open position.

**DO NOT** attempt to blow out the fire!

Should you extinguish the fire at a time when there is still bioethanol left in the burner, it is recommended that you **WAIT** around 30 - 60 minutes or until you are **CERTAIN** that the burner has cooled down **BEFORE** you refill it with bioethanol as described under items 1. to 3. above.

**DO NOT** smoke when filling the burner with bioethanol.

**DO NOT** – under any circumstances – refill the burner when it is in use or still hot from previous use.

**DO NOT** light the burner in case you have overfilled it! Partly empty the burner and the safety chamber underneath from any excess bioethanol. Use a paper towel in order to wipe off any excess bioethanol from the burner and surrounding surfaces. Then, wash your hands thoroughly **BEFORE** lighting the bioethanol vapours.

**DO NOT** touch the glass or the metal surfaces of the burner to avoid burning as they can become warm during use.

As for all real fires - keep children away from it!

### Overfilled

Please be aware that the fireplace must be completely cold before you can empty the fireplace of bioethanol.

If overfilled, **DO NOT** light the fireplace.

If the overfilling is not violent, the excess bioethanol from the burner and surroundings can be wiped up with a lint-free cloth or paper towel until the liquid is at the required level.

For larger overfills: Lift the burner out of its safety chamber (wear rubber gloves and reach into the burner opening grabbing its top plate) and empty part of the bioethanol into a container (bucket, bowl or similar – you can discard it into the toilet or kitchen sink and flush it away with water as it is only alcohol) until the burner is only filled up to the max. level indicator. Dry off any bioethanol from the top and the outside of the burner. Then use paper towel to dry off any liquid from the safety chamber. Re-insert the burner into the safety chamber. Remove the rubber gloves and light the burner.

### In case of fire follow these guidelines:

We recommend keeping the proper fire extinguisher next to the burner.

Suitable extinguishing agents: carbon dioxide CO<sub>2</sub>, dry chemical, powder, foam, chemical foam, alcohol-resistant foam, water spray. For small fires use chemical agents, carbon dioxide (CO<sub>2</sub>), water mites or alcohol resistant foam.



Open slider



Min. and max. indicator



Closed slider

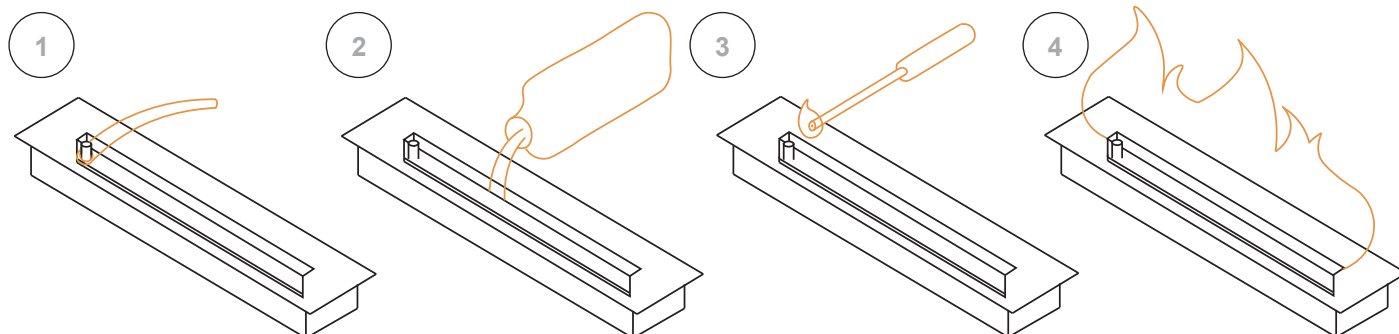


For larger fires use alcohol resistant foam or water spray.

Water is not effective. Do not rinse the floor with water.

Vapors can travel above the surface to the remote ignition source and cause the restart of the ignition.

Unsuitable extinguishing agents: Water jet.



## 6. MAINTENANCE

The surface of *the materials can change with time* due to exposure to the heat of the fire. This leads to a slight change in colour or structure. This is to be *considered normal wear and tear* and does not constitute a product flaw or fault. We recommend cleaning the back with a dry sheet of paper towel followed by a well-wrung wet lint-free cloth.

- You can clean the brushed stainless steel burner with a household detergent or paper towel to which you apply a small quantity of bioethanol or another alcohol-based product.
- You can brush the burner's surface up every once in a while, with the enclosed 3M sponge (always brush in direction of the grain).
- Use glass cleaner and kitchen paper or a lint-free cloth for the glass screens. Handle the glass carefully as hardened glass is especially delicate.

## 7. DISPOSAL AND RECYCLING

Ascot Lux is made of steel, brushed steel and glass.

If you wish to dispose of the appliance, please adhere to the regional rules and regulations.

You will find, that most parts of your Decoflame fireplace can be recycled.

## 8. BIOETHANOL

**BIOETHANOL IS EXTREMELY FLAMMABLE!**

### Storing conditions

**Always thoroughly follow the instructions on the packaging of the bioethanol. The bioethanol must be stored safely and out of the reach of children!** Only store in original and correctly labeled containers. Keep containers tightly closed. Store in a cool, dry and ventilated room away from ignition sources, oxidizers and non-compliant materials. Provide preventive measures against the generation of static charge. The bioethanol must be at room temperature before it can be ignited.

### Safety measures

Preventive measures: Avoid inhalation of vapors. Avoid contact with eyes, skin and clothing. Persons who are prone to skin allergies or lung disease should not come into contact with bioethanol. We recommend that people with breathing problems or asthma keep a window opened during the use of their bioethanol fireplace.

Use standard precautions for working with chemicals.

### Measures to prevent fire

Due to the high flammability of the product strictly follow the special fire protection measures at the storage location. Protect containers from overheating. Bioethanol should be stored in a fireproof container and out of the reach of children.

Prevent bioethanol from coming in contact with heat, sparks and flames. Keep away from non-compliant materials such as metal or alkali.

Flash point 13°C / boiling point 78°C. The fireplace can be difficult to start, if it is below room temperature.

### DO NOT

1	<b>DO NOT</b> use any other fuel, materials or bioethanol of inferior quality as this will void your guaranty.
2	<b>DO NOT</b> use any solvents or oils to your bioethanol as this will void your guaranty.
3	<b>DO NOT</b> mix bioethanol with other fuels as this will void your guaranty.

**Denatured Bioethanol is classified as:**

Flammable Liquid Class 1B (for Flammability)

Class 3 PGII (for Transportation)




UN1170 (Identification Code)

Regulated by various standards around the world.

You must familiarise yourself and comply with these regulations in order to safely and legally store, handle, decant and use this fuel.



## DO NOT

1	DO NOT light the bioethanol if you have over filled the burner.	
2	DO NOT fill the burner with bioethanol until the temperature is below 40 degrees celcius.	
3	DO NOT smoke when filling the burner with bioethanol.	
4	DO NOT under any circumstances – refill the burner when it is in use or still hot from previous use.	
5	DO NOT attempt to blow out the fire - or blow into the flames, as this can cause the flames to escape from the fireplace and they will be uncontrollable.	
6	DO NOT cover the fireplace when lid.	
7	DO NOT place any inflammable materials or clothes on the fireplace.	
8	DO NOT place anything on top of the burner.	
9	DO NOT decorate the burner with ceramic pebbles or other items as this will lead to overheating and damage to the glass surround.	
10	DO NOT place any pebbles or stones on the burner as these will crack and might cause injury or damage to the fireplace.	
11	DO NOT place any ceramic logs or pebbles on top of the burner as these will increase the combustion temperature, which increases the fuel consumption and might cause undesired micro-particles in the room air.	
12	DO NOT place any valuable paintings or electronic equipment like TV screens or speakers above the fireplace. The warm air from the fire will rise upwards and might damage anything in its way.	
13	DO NOT use the burner as a barbecue! It is not suited to roast anything.	
14	DO NOT touch the flames.	

### IMPORTANT:

The shutter is supposed to be slightly bend - do NOT straighten!



## 9. SYMBOLS OF AWARENESS



Do not fill fuel into the open flame



Do not fill fuel into the hot burner



Do not touch the flames



Health hazard



Do not position the fireplace near combustible items



Protect fireplace against draft



No smoking



Never blow the fire



Keep suitable extinguishing agent ready



Warning - flammable material



Adhere to instructions about fuel and fireblanket



**The package will include:**

<b>A:</b>	<b>Ascot Lux 400 with glass (2)</b>	
	<b>Ascot Lux 500 with glass (2)</b>	
	<b>Ascot Lux 600 with glass (2)</b>	
<b>B:</b>	<b>Handle</b>	
<b>C:</b>	<b>Manual</b>	

Decoflame ApS

Date

Link for service/support (24:7)  
<https://www.decoflame.com/faq>

*Follow the Fire Authorities and national and local requirements regarding bioethanol fireplaces.*

*Subject to typographical errors and technical errors, glass- and producttolerances.  
Decoflame ApS reserves the right to make changes without notice.  
We refer to Decoflame's General Terms of Sale and Delivery.*

V30924