

onyx

Athos & Olympus Wood Burning & Multi-Fuel Stoves



INSTALLATION AND OPERATING INSTRUCTIONS

IMPORTANT

This appliance is hot while in operation and retains its heat for a long period of time after use. Children, aged or infirm persons should be supervised at all times and should not be allowed to touch the hot working surfaces while in use or until the appliance has thoroughly cooled.

These stoves have an Efficiency Rating of "A+" and "A" and have passed the Ecodesign 2022 Standard and met the Standards as defined by DEFRA for Burning Wood in Smoke Free Areas.

	ATHOS	OLYMPUS
5	728-050	728-082
5 Wide	728-061	728-094

CONTENTS

Important Key Safety Points.....	4
Installation Information	5
Essential Information.....	8
Parts Identifier	9
Distance to Combustibles.....	10
Dimensions.....	12
The Clean Air Act 1993 And Smoke Control Areas – Defra Listing	14
Operating the Stove	18
Installation & Maintenance	25
Flue Conversion	28
External Air Kit	33
Servicing.....	35
Fire & Smoke Safety	40
10 Year Warranty.....	41
Legal Requirements	43
Spare Parts	44
Product Fiche	48



Service that goes above and beyond

Congratulations on becoming a new owner of an Onyx stove or fire – welcome to the family.

When you own an Onyx product, you can expect the very best in British stove and fire design and engineering, bringing exceptional heating performance to your home along with character and individuality.

We take great care to ensure that our stoves are designed, tested and manufactured to the highest possible quality standards, and pride ourselves on offering the same exemplary after-sales service that goes above and beyond, assuring you years of enjoyment from your Onyx purchase.



IMPORTANT KEY SAFETY POINTS

PLEASE READ BEFORE USING YOUR STOVE

WARNING



HOT SURFACES



ALWAYS WEAR GLOVES WHEN HOT



ONLY USE APPROVED FUELS



DO NOT OVERLOAD THE FIREBOX



FIT A CARBON MONOXIDE (CO) ALARM IN THE ROOM WHERE THE STOVE IS



CURE THE PAINT CORRECTLY



HEAVY THIS PRODUCT IS HEAVY FOR INSTALLATION USE THE CORRECT LIFTING PROCEDURES

HOT – HOT – HOT This appliance and the flue will become HOT while in operation and retains its heat for a long period of time after use.

Children, aged or infirm persons and pets should be supervised at all times and should not be allowed to touch the hot working surfaces while in use or until the appliance has thoroughly cooled.

- Always use the heat proof glove provided when touching the appliance. THIS INCLUDES THE HANDLE WHEN REFUELLING
- All surfaces can be HOT
- WARNING! Keep children and pets away
- Do NOT cover or leave flammable substances or any combustible materials on or near the appliance such as soft furnishing, laundry or curtains
- Ensure a Carbon Monoxide (CO) alarm is fitted in the room where the stove is fitted. We also recommend the installation of a Smoke Detector

Only Approved Fuels to be used on this stove, which are:

- Seasoned Wood Logs or Kiln Dried Logs with a moisture level of less than 20%
- Keep all fuel loads 50mm below the Tertiary AIR holes at the back of the firebox
- Do not overload the Fire box
- When COLD: Always empty the Ash out after each time it is used
- Check the flue regularly for any blockages
- Do not leave unattended if children are in the room
- Do not clean when hot, or whilst fire is still alight

For installation: This Product is HEAVY. DO NOT try and LIFT it manually. Ensure correct and adequate handling facilities are used for unloading, site handling and installation

First Time of Operation

Before lighting this stove, ensure that all packaging, safety stickers and any protective wrapping have been removed, and that the glass has been cleaned, including all fingerprints from the glass.

Ensure that the room is adequately ventilated, the first time the stove is lit; we would recommend opening windows if possible.

Curing the Paint – First Time Usage

- Open the door by 20mm, so the door rope seal is not touching the body, for the first 20 to 30 minutes of burning. **DO NOT LEAVE THE STOVE UNATTENDED.**
- Run the appliance at a 25% setting for a 1 hour
- Then at a 50% Setting for 1 hour
- Then Finally on Full Power 100% for 1 hour

This will then allow the paint the opportunity to fully cure. During this period it is possible for some fumes and vapours to be given off. We would recommend keeping children and pets out of the area at this time. If the paint is not cured correctly it could peel from the stove, so undertaking the curing process correctly is important.

INSTALLATION INFORMATION

Please complete the following form for reference when required:

REF.	DESCRIPTION	PLEASE COMPLETE
1	Which retailer did you purchase the stove from?	Name and Address of Retailer:
2	What date did you purchase your new stove?	Date:
3	What was the name of the approved fitter that installed your stove?	Full name: Contact number
4	What is the installer HETAS Registration Number?	HETAS Registration No.:
5	What is the serial Number of your stove? This can be found on the metal plate behind the door on the hinge side.	Serial Number:
6	What date was your stove installed?	Date:
7	The Name, Model and Fuel Type reference for this stove is	Name: Model: Fuel type:

TECHNICAL DATA SUMMARY

REF.	DESCRIPTION	ATHOS 5 / OLYMPUS 5	ATHOS 5 WIDE / OLYMPUS 5 WIDE
1	Nominal Heat Output	4.8 kW	5.0 kW
2	Minimum Heat Output – Low Burn	2.0 kW	2.5 kW
3	Efficiency %	Wood: 82.0%	Wood: 77.6% Multi-Fuel: 79.5%
4	Energy Label Rating (EEL Eco Labelling)	A+	A
5	Ecodesigned Status	Ecodesign Approved 2022	Ecodesign Approved 2022
6	Approved for use in DEFRA Smoke Free Zone	YES	YES

KEY STOVE TECHNICAL DATA

Also addressing Ecodesign 2022 and DEFRA smoke exemption.

Model Reference:	Athos 5 and Olympus 5	Athos 5 Wide and Olympus 5 Wide
Energy Efficiency Class of Model:	A+	A
Net Efficiency:	Wood: 82.0%	Wood: 77.6% Multi-Fuel: 79.5%
Ecodesign Standard 2022 Compliant:	Yes. Approved to the Standard	Yes. Approved to the Standard
Direct Heat Output:	4.8 kW Nominal	5.0 kW Nominal
Indirect Heating Functionality:	No. Air to Air Convectional and Radiant Heat only. No Hot Water	No. Air to Air Convectional and Radiant Heat only. No Hot Water
DEFRA – Compliant to the Standard:	Yes. Approved to be used in Smoke Exempt Zones/Areas	Yes. Approved to be used in Smoke Exempt Zones/Areas only when DEFRA kit is fitted.
Hearth Construction – Approved for:	12mm Decorative Hearth	12mm Decorative Hearth
Flue Collar and Flue Pipe Diameter:	Fit 128-130mm diameter (5.0”) Flue (Single or Twin Walled)	Fit 128-130mm diameter (5.0”) Flue (Single or Twin Walled)
Approved Fuel Types:	Dried Wood (less than 20% moisture) Hardwood or Softwood, kiln dried or seasoned	Multi-fuel. Dried Wood (less than 20% moisture) and Smokeless Mineral Fuels
Stove Construction:	<ul style="list-style-type: none"> – Steel Outer Stove Body – Cast Door – 4mm Ceramic Heatproof Glass – Vermiculate High Temperature Firebox Liner 	<ul style="list-style-type: none"> – Steel Outer Stove Body and Lid – Cast Door and Stainless Steel Handle – 4mm Ceramic Heatproof Glass – Vermiculate High Temperature Firebox Liner
Air Management System:	Secondary and Tertiary Air Outlets via 1 x Single Lever Air Control	Primary, Secondary and Tertiary Air Outlets via 2 x Control Knobs
External Air Input kit:	Yes. Optional Extra	Yes. Optional Extra
Top or Rear Flue Exit:	Yes. Top or Rear Flue Exit options, built in	Yes. Top or Rear Flue Exit options, built in
Rear Heat Shield:	Yes. Fitted as Standard.	Yes. Fitted as Standard.
Convection and Radiant Heat Sources Outputs:	Yes. Radiant Heat from Both Sides and Front, with Additional Convectional Heat Duct located at the Top Front of the Stove	Yes. Radiant Heat from Both Sides and Front, with Additional Convectional Heat Ducts from Rear and Top Outlets
Warranty Period:	10 years*	10 years*
Log Length:	350mm	425mm
Sweep Flue through Stove:	Yes. 1 x Removable Top Baffle Plate to Sweep	Yes. 2 x Removable Top Baffle Plates to Sweep
Adjustable Bottom Feet for Levelling:	4 x M6 pads fitted to the bottom of feet for adjustment	4 x M6 pads fitted to the bottom of feet for adjustment
What’s included with this Stove:	Glove, Flue Collar and Instruction Manual	Glove, Flue Collar and Instruction Manual
Recommended Minimum Flue Height/Pascals Rating:	4.6m High and the flue tested at 12 Pascals	4.6m High and the flue tested at 12 Pascals
Stove Weights (approximate and excludes packaging):	76kg	114kg

* The Extended Warranty for your Onyx Stove or Fireplace extends the standard two-year Warranty by a further eight years to a total Warranty period of 10 years.

STOVE EFFICIENCY AND PERFORMANCE

Model	Fuel Type*	Efficiency (%)		Energy	Nominal Heat Output (kW)			Mean CO (% @13% Oxygen)
		Net %	Gross %	Efficiency Index	Total	To Space	To Water	
5	Wood	82.0	72.0	109	4.8kW	4.8kW	n/a	0.09
5 Wide	Wood	77.6	67.6	103	5.0kW	5.0kW	n/a	0.12
	Multi-Fuel	79.5	69.5	n/a	4.9kW	4.9kW	n/a	0.08

SPACE HEATING PERFORMANCE AT NOMINAL OUTPUT

Model	Fuel Type*	Primary Fuel	Seasonal Efficiency (%)	At 13% Oxygen O ₂ (mg/m ³)			
				PM	Mean OGC	Mean CO	Mean NOx
5	Wood	Yes	72.0	29	101	1125	84
5 Wide	Wood	Yes	67.6	22	117	1500	91
	Multi-Fuel	No	69.5	20	11	1000	100

PERFORMANCE WHEN OPERATED ON PRIMARY FUEL

	5	5 Wide
Nominal Rated Heat Output (kW)	4.8	5.0
Nominal Net Efficiency (%)	82.0	77.6
Electrical Consumption Nominal (kW)	n/a	n/a
Electrical Consumption Minimum (kW)	n/a	n/a
Electrical Consumption Standby (kW)	n/a	n/a
Energy Efficiency Index	109	103
EEL Rating	A+	A

* Refer to Refuelling and Approved Fuels Only on Page 20.

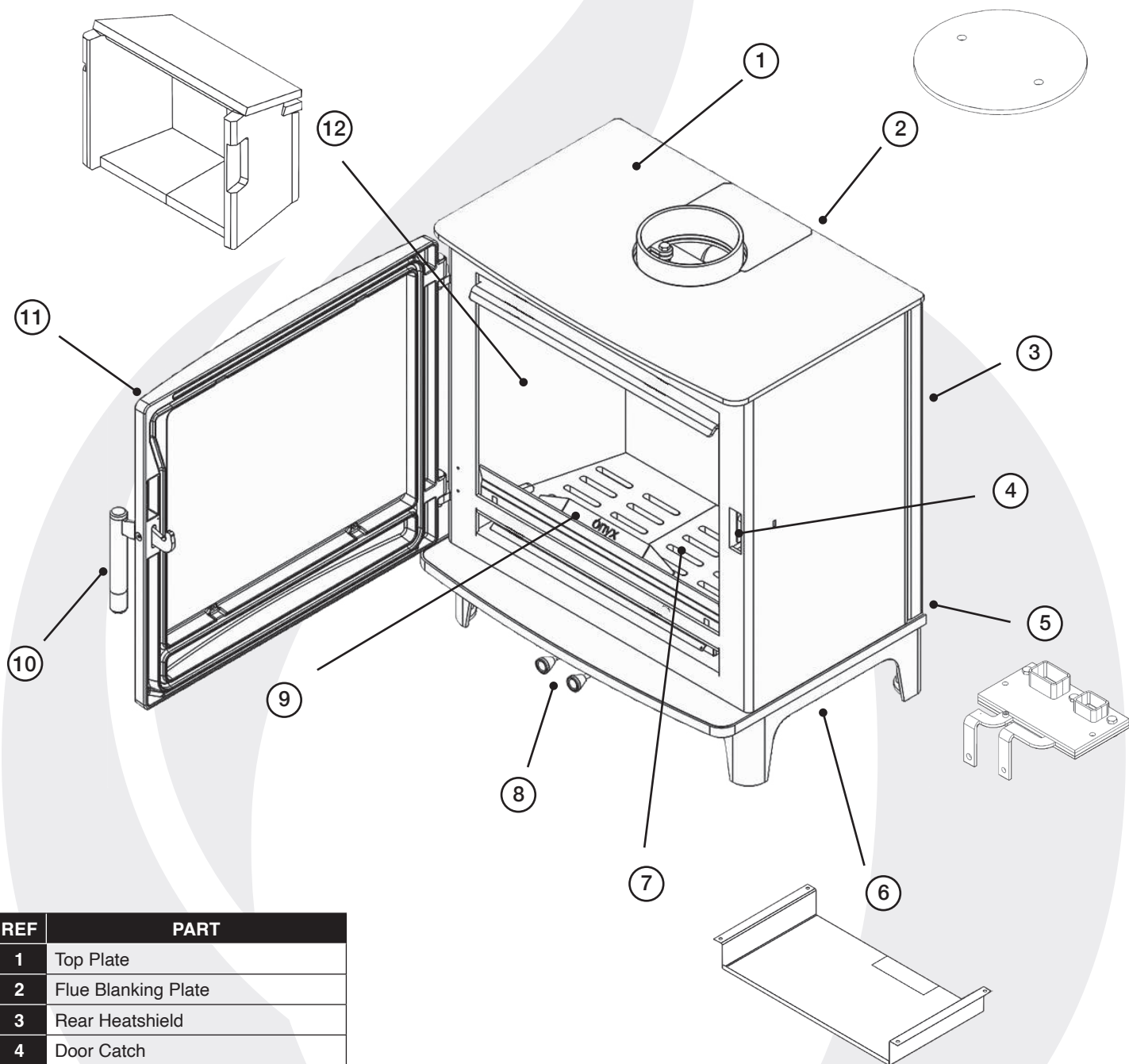
SPECIFIC PRECAUTIONS DURING ASSEMBLING, INSTALLING AND MAINTENANCE

See installation instructions for more information.

ESSENTIAL INFORMATION

MODEL:				ATHOS 5 WIDE	OLYMPUS 5 WIDE	ATHOS 5	OLYMPUS 5
GENERAL	NOMINAL HEAT OUTPUT	WOOD	KW	5.0	5.0	4.8	4.8
	EFFICIENCY	WOOD	%	77.6	77.6	82.0	82.0
	CO @ 13% O ₂	WOOD	%	0.12	0.12	0.09	0.09
	NOMINAL HEAT OUTPUT	MF	KW	4.9	4.9	N/A	N/A
	EFFICIENCY	MF	%	79.5	79.5	N/A	N/A
	CO @ 13% O ₂	MF	%	0.08	0.08	N/A	N/A
	WEIGHT		KG	117	115	93	91
RECOMMENDED FUELS		WOOD	SEASONED WOOD (LESS THAN 20% MOISTURE CONTENT)				
		MANUFACTURED SMOKELESS MINERAL FUEL	BRIQUETTE SMOKELESS FUEL SUITABLE FOR CLOSED APPLIANCES (ANCIT-PHURACITE-MAXIBRITE-TAYBRITE-HOMEFIRE OVALS)				
AS TESTED TO THE REQUIREMENTS OF EN 16510 FOR INTERMITTENT OPERATION							
FLUES	FLUE OUTLET SIZE (TOP OR REAR OPTION)	THIS APPLIANCE REQUIRES A SUITABLE ADAPTER TO FIT TO A FLUE	MM	127	127	127	127
			INCH	5	5	5	5
	FLUE/CHIMNEY SIZE	WITHOUT FLUE LINER ROUND (DIAMETER)	MM	127	127	127	127
			INCH	5	5	5	5
		WITHOUT FLUE LINER SYSTEM (SQUARE)	MM	135	135	135	135
			INCH	5½	5½	5½	5½
		WITH LINER OF FACTORY MADE SYSTEM (DIAMETER) INSTALLED IN ACCORDANCE WITH MANUFACTURERS INSTRUCTIONS	MM	127	127	127	127
			INCH	5	5	5	5
	FLUE/CHIMNEY MINIMUM HEIGHT**	ALL PRODUCTS **MUST BE 4.6M FROM THE HEARTH TO THE TOP OF THE FLUE, WITH NO HORIZONTAL SECTIONS AND A MAXIMUM OF 4 BENDS. BENDS MUST HAVE ANGLES OF LESS THAN 45 DEGREES FROM THE VERTICAL.	M	4.6	4.6	4.6	4.6
			FEET	15	15	15	15
	FLUE DRAUGHT	MIN	PA	10	10	10	10
		NOMINAL		12	12	12	12
MAX		20		20	20	20	
FLUE GASS MASS FLOW	WOOD	G/S	5.1	5.1	3.9	3.9	
	MF		3.9	3.9	N/A	N/A	
AVERAGE FLUE GAS TEMPERATURE	WOOD	°C	265	265	254	254	
	MF		306	306	N/A	N/A	
EUROPEAN MIN SPEC FOR CHIMNEY FLUE — T400 N2 D 3 G50							
VENTILATION	A) TRADITIONALLY BUILT HOMES			B) MODERN CONSTRUCTION HOMES			
	— WHERE LEAKAGE IS GREATER THAN 5M ³ /HOUR/M ²			— WHERE LEAKAGE IS LESS THAN 5M ³ /HOUR/M ²			
	— VENTILATION NORMALLY REQUIRED = 500MM ² PER KW OUTPUT OVER 5KW			— VENTILATION NORMALLY REQUIRED = 500MM ² PER KW			
	A	ADDITIONAL VENTILATION	MM ²	N/A	N/A	N/A	N/A
			CM ²	N/A	N/A	N/A	N/A
			IN ²	N/A	N/A	N/A	N/A
B	ADDITIONAL VENTILATION	MM ²	2,500	2,500	2,400	2,400	
		CM ²	25	25	24	24	
		IN ²	10	10	10	10	

PARTS IDENTIFIER



REF	PART
1	Top Plate
2	Flue Blanking Plate
3	Rear Heatshield
4	Door Catch
5	Air Inlet Assembly (Wide only)
6	Bottom Heatshield (Wide only)
7	Grate
8	Air Control Rod
9	Log Retainer
10	Handle Assembly
11	Door
12	Firebrick Assembly

DISTANCE TO COMBUSTIBLES AND NON-COMBUSTIBLES MATERIALS

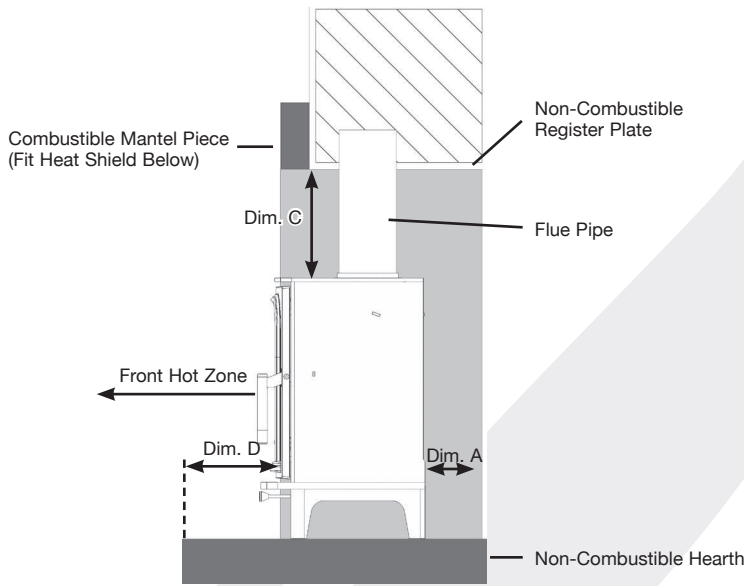


FIG. 1 — Correct Installation

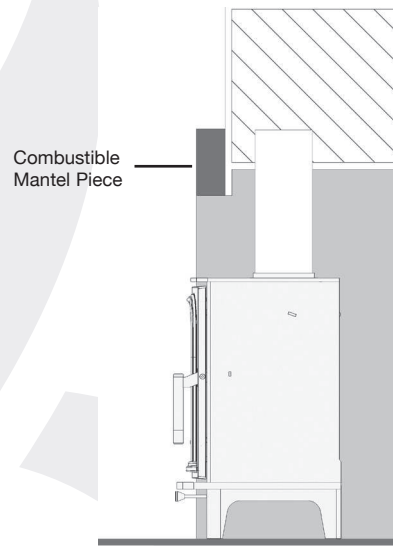


FIG. 2 — Incorrect Installation

The Register Plate must be installed in such a way that it does not allow the build up of heat in the fire place chamber as detailed in Fig 1. Therefore the underside of the Mantel Piece (if the Mantel Piece is deemed as combustible a heat shield must be fitted to the underneath of it) must be a flush fit and level with the underside of the Register Plate. The stove must also be in line or protruding forward beyond the fire chamber as shown in Fig 1A. The regulations governing connecting flue pipes must be adhered to. The chimney and connecting flue pipe must have a minimum diameter of 128mm and its dimension should not narrow to less than the size of the outlet socket (Flue Collar) of the stove at any point.

LOCATION Installation Into a Fireplace Opening or Free Standing	MINIMUM DISTANCE FOR CLEARANCE TO ALL			
	COMBUSTIBLE MATERIALS		NON-COMBUSTIBLE MATERIALS	
	5	5 Wide	5	5 Wide
From the Front of the stove – HOT ZONE	1200mm**	1000mm	1200mm**	1000mm**
DIM. A – From the Back of the stove to the rear wall (with rear heat shield fitted) and TWIN WALL INSULATED FLUE PIPE	230mm**	200mm**	50mm**	50mm
DIM. A – From the Back of the stove to the wall (with rear heat shield fitted) and SINGLE WALL FLUE PIPE	250mm**	250mm**	50mm**	50mm**
DIM. B – From the Sides of the stove to the side wall (with rear heat shield fitted) and TWIN WALL INSULATED FLUE PIPE	250mm**	500mm**	100mm**	100mm**
DIM. B – From the Sides of the stove to the side wall (with rear heat shield fitted) and SINGLE WALL FLUE PIPE	300mm**	500mm**	100mm**	100mm**
DIM. C Mantle Clearance Above the Stove – See Fig 1A and 1B – TWIN WALL INSULATED FLUE PIPE FITTED TO THE FLUE COLLAR	475mm	475mm	300mm	300mm
DIM. C Mantle Clearance Above the Stove – See Fig 1A and 1B – SINGLE WALL FLUE PIPE FITTED TO THE FLUE COLLAR	500mm	500mm	390mm	390mm
DIM. D – From the front of the stove to the front of the Non-combustible Superimposed Hearth	300mm	300mm	300mm	300mm

** If any windows or the stove is fitted into a conservatory or curtains, fabrics or furnishings must be kept a minimum of 1200mm away for the stove in all directions. If they get hot move them further away – be aware, be safe.

APPLIANCE	HEARTH
Athos 5 / Olympus 5	12mm Decorative Hearth
Athos 5 Wide / Olympus 5 Wide	12mm Decorative Hearth

HEAT RECOVERY VENTILATION

Where a stove is to be installed in a dwelling with Heat Recovery Ventilation (HRV) a number of precautionary measures must be undertaken:

Where the product is to be installed with a Mechanical Ventilation, the stove must be connected to an external air supply, The ductwork for the external air supply must be no longer than 6 metres and the air inlet terminal to the ductwork must have a cross sectional area of at least 80cm².

LOCATION

There are several conditions to be considered in selecting a location for your Onyx Athos or Olympus stove.

- Position in the area to be heated, central locations are usually best.
- Allowances for proper clearances to combustibles.
- Allowances for proper clearances for maintenance work.

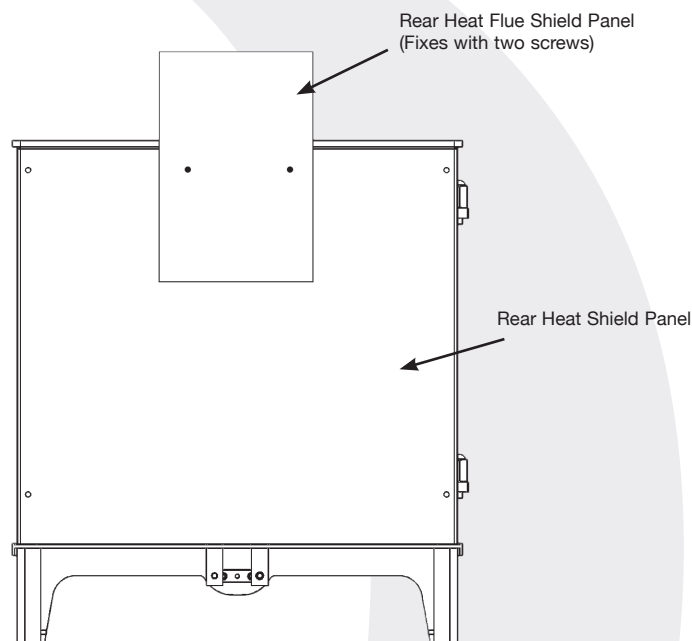


Fig 7. This drawing is representation only. Drawing not to scale.



WHEN BEING FITTED NEAR A NEW PLASTERED WALL THE PLASTER AND RENDER (IF RENDERED) MUST BE ALLOWED TO FULLY DRY OUT AND HARDEN BEFORE THE STOVE IS INSTALLED AND USED. ONYX TAKES NO LIABILITY FOR DAMAGE OR CRACKING OF PLASTER WORK DUE TO THE HEAT OR USAGE OF THE STOVE.

IN THE HOT ZONE AT THE FRONT OF THE STOVE, DO NOT DRY LAUNDRY AS IT COULD CAUSE A FIRE. IF CHILDREN, THE ELDERLY OR PERSONS WITH LIMITED MOBILITY ARE IN THE ROOM UNOCCUPIED A FIRE GUARD MUST BE INSTALLED/USED.

FLOOR PROTECTION – HEARTH

When installing this stove on a combustible floor, a floor protector must be fitted which needs to be a superimposed with a minimum thickness of 12mm (0.5") and made of solid non-combustible material/construction (such as Concrete, Stone, Steel or Glass).

If the stove is fitted with a bottom heat shield the hearth can be a superimposed 12 mm deep and made of non-combustible material such as (Glass, Steel, Stone or Concrete). It is required to cover the area under the stove and extend at least 300mm at the front, 200mm to the sides and the rear. This will provide protection from sparks and embers which may fall out from the door when stoking on refuelling. See Fig.8 – Please refer to Building Regulations document J for guidance.

If you are fitting the stove into a brick built fireplace and it's deemed as non-combustible you would still fit the superimposed 12mm thick non-combustible hearth but you could then reduce the distance around the back and the sides of the stove to the non-combustible brick wall. We would recommend 100mm to both sides. The back can be reduced to 50mm if required to fit the flue onto the stove. If there is no flue restriction maintain 100mm at the rear as well.



WARNING: DO NOT OBSTRUCT SECONDARY OR TERTIARY AIR SUPPLY TO THE STOVE. THIS IS FED FROM THE MIDDLE UNDERNEATH OF THE STOVE — UNLESS THE EXTERNAL AIR KIT IS INSTALLED.

STOVE DIMENSIONS

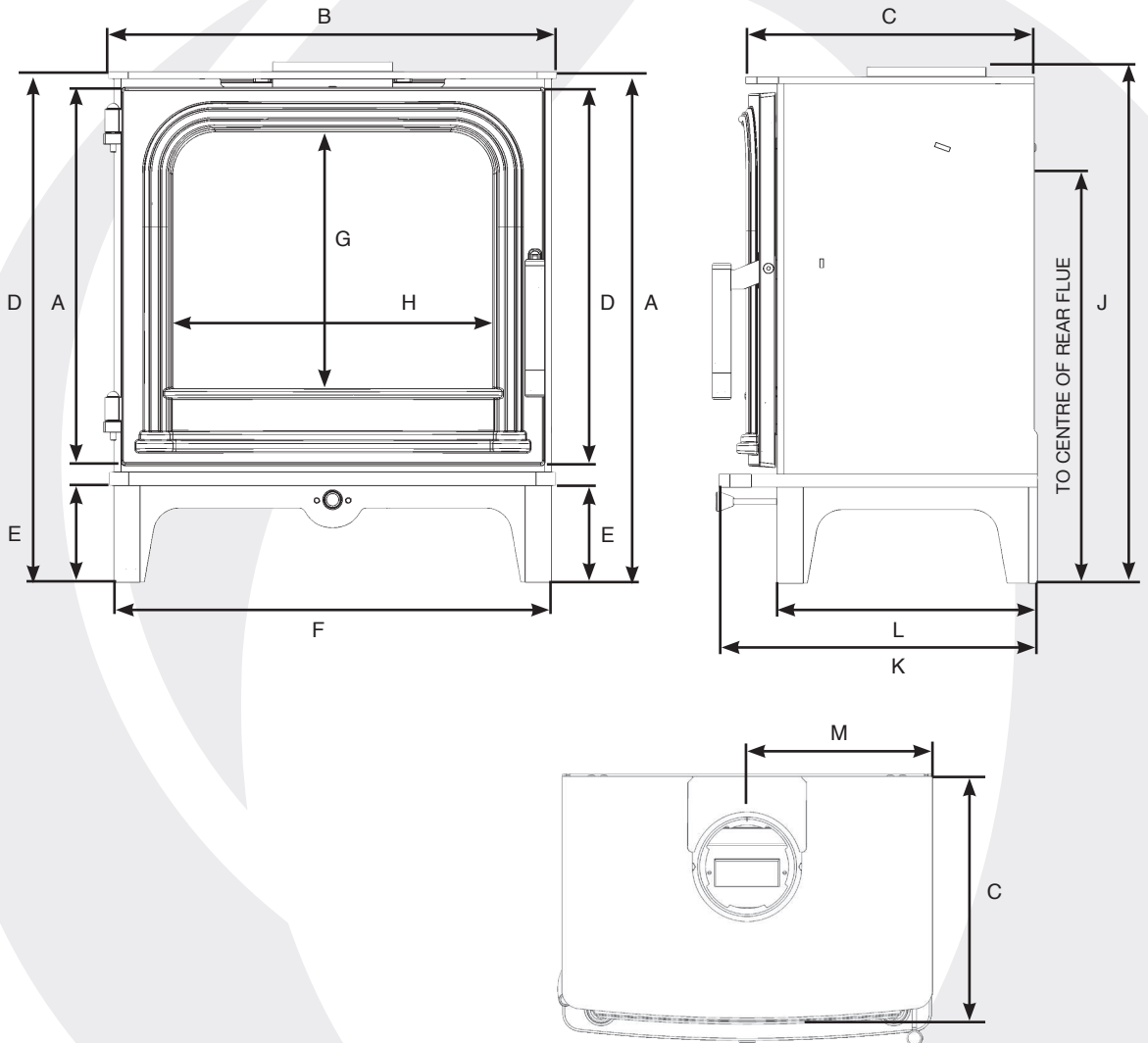
ATHOS 5 / OLYMPUS 5

OVERALL STOVE DIMENSIONS

Please refer to dimensional drawings below.

REF.	DIMENSION	ATHOS	OLYMPUS
A	Height (excluding Top Flue Collar)	585	585
B	Width (including the Overhang of the Lid)	512	512
C	Depth (excluding the Overhang of the Handle to the Front)	329	333
D	Weight (approximate, excluding packaging)	76kg	76kg

All dimensions in mm (25.4 mm = 1"), unless otherwise specified.
(Drawings Not to Scale)



APPLIANCE	A	B	C	D	E	F	G	H	I	J	K	L	M
Athos 5	585	512	329	433	111	500	294	366	596	456	367	300	256
Olympus 5	585	512	329	424	111	500	286	396	596	456	347	300	256

STOVE DIMENSIONS

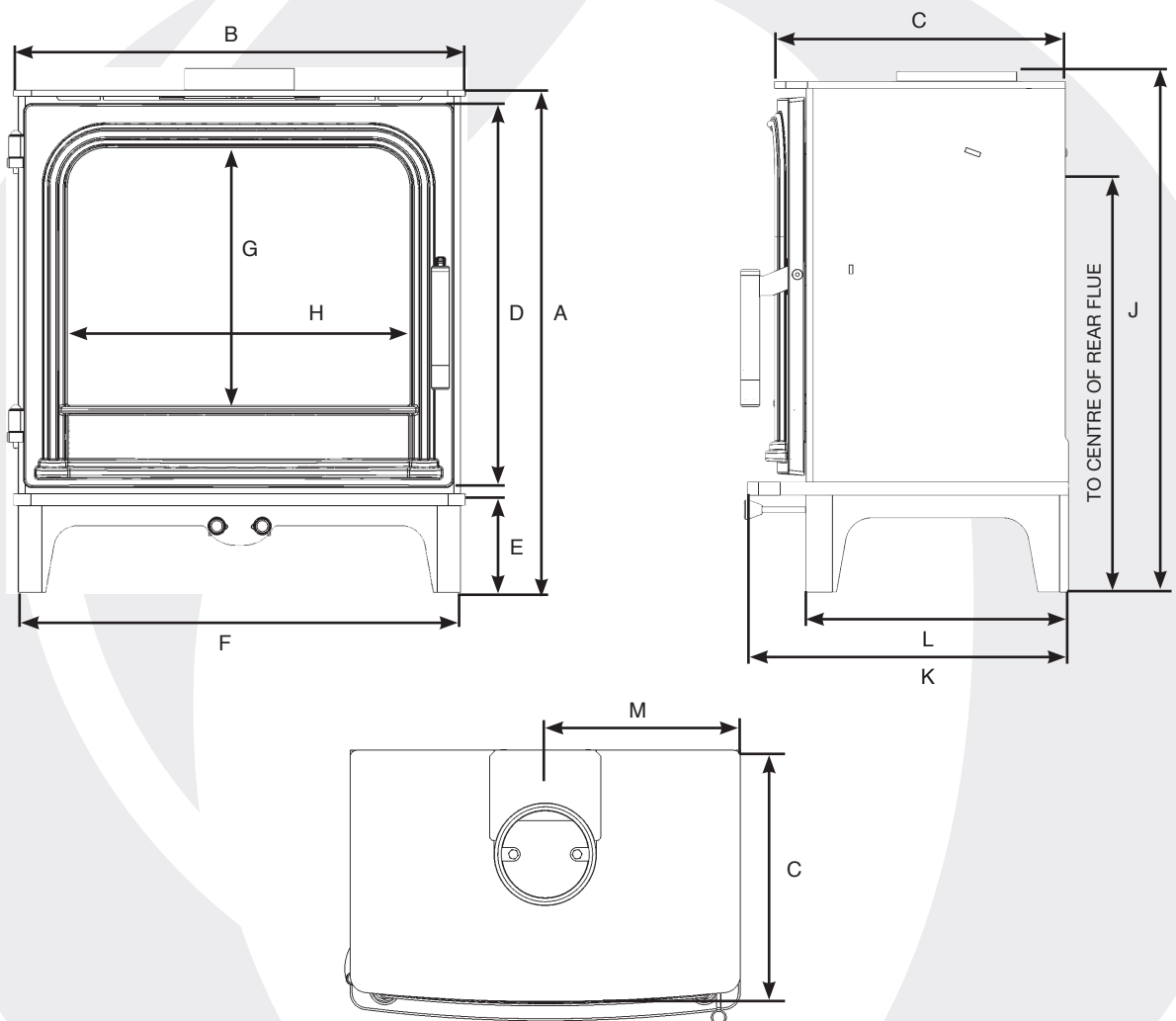
ATHOS 5 WIDE / OLYMPUS 5 WIDE

OVERALL STOVE DIMENSIONS

Please refer to dimensional drawings below.

REF.	DIMENSION	ATHOS	OLYMPUS
A	Height (excluding Top Flue Collar)	641	641
B	Width (including the Overhang of the Bottom Feet)	575	575
C	Depth (including the Overhang of the Bottom Feet)	370	370
D	Weight (approximate, excluding packaging)	114kg	114kg

All dimensions in mm (25.4 mm = 1"), unless otherwise specified.
(Drawings Not to Scale)



APPLIANCE	A	B	C	D	E	F	G	H	I	J	K	L	M
Athos 5 Wide	641	575	370	490	111	563	329	436	669	544	398	325	288
Olympus 5 Wide	641	575	370	490	111	563	329	436	669	544	378	325	288

THE CLEAN AIR ACT 1993 AND SMOKE CONTROL AREAS – DEFRA LISTING

These stoves are able to be used in smoke controlled areas, but only under the following conditions:

- Correct Approved fuel is used, with a moisture content of less than 20%
- The DEFRA limiter kit is fitted to the Secondary and Tertiary Air Control Rod (this is fitted as standard)
- The stove is not overloaded with fuel
- The stove is operated as stated in the operating manual supplied
- Refuelling onto a low fire bed in the correct manner
- Not operating the stove with door left open

Under the Clean Air Act local authorities may declare the whole or part of the district of the authority to be a smoke control area. It is an offence to emit smoke from a chimney of a building, from a furnace or from any fixed boiler if located in a designated smoke control area.

It is also an offence to acquire an “unauthorised fuel” for use within a smoke control area unless it is used in an “exempt” appliance (“exempt” from the controls which generally apply in the smoke control area).

In England appliances are exempt by publication on the list by the Secretary of State in accordance with changes made to sections 20 and 21 of the Clean Air Act 1993 by section 15 of the Deregulation Act 2015.

Similarly in Scotland appliances are exempt by publication on the list by Scottish Minister under section 50 of the Regulatory Reform (Scotland) Act 2014.

In Wales and Northern Ireland these are authorised by regulations made by Welsh Ministers and by the Department of Environment respectively.

Further information on the requirements of the Clean Air Act can be found here at: <https://www.gov.uk/smoke-control-area-rules>

Your local authority is responsible for implementing the Clean Air Act 1993 including designation and supervision of smoke control areas and you can contact them for details of the Clean Air Act requirements.

REQUIREMENTS WHEN USED IN A SMOKE CONTROLLED AREA

APPROVED FUELS TO BE USED

What can I burn in my stove? When using this clean burn stove you must use kiln dried or well seasoned wood with a moisture content of less than 20%. This will give you the optimum burn and the highest efficiency with minimal smoke which emits the harmful Particulate Matters (PMs) into the environment. This will also give you maximum heat output and use the minimal amount of wood.

We do not recommend burning green wood or unseasoned wood with a moisture content of greater than 20%. You risk discolouration on the door glass and it will most likely use up to twice the amount of fuel to achieve a lesser heat output than if you used the correct fuel. Using Kiln dried or well-seasoned wood will give you greater heat outputs, improved efficiency and therefore running costs, all of which is kinder to our environment and the air that we breathe.

FUEL OVERLOADING

The maximum amount of fuel specified in this manual should not be exceeded; overloading can cause excess smoke.



DO NOT PLACE LOGS HIGHER THAN 50MM (2 INCHES) BELOW THE TERTIARY AIR HOLES ON THE BACK FIRE BOARDS.

REFUELLING ONTO A LOW FIRE BED

If there is insufficient burning material in the firebed to light a new fuel charge, excessive smoke emission can occur. Refuelling must be carried out onto a sufficient quantity of glowing embers and ash that the new fuel charge will ignite in a reasonable period. If there are too few embers in the fire bed add suitable kindling to prevent excess smoke.

AIR MANAGEMENT CONTROL LEVER (DAMPER) LEFT OPEN

Operation with the air control lever or appliance dampers open can cause excess smoke. The appliance must not be operated with air control, appliance dampers or door left open except as directed in the instructions.

OPERATION WITH DOOR LEFT OPEN

Operation with the door open can cause excess smoke. The appliance must not be operated with the appliance door left open except as directed in the instructions.

REQUIREMENTS WHEN USED IN A SMOKE CONTROLLED AREA

This stove has been recommended as suitable for use in smoke control areas when burning wood logs. The stove must be fitted with a permanent stop to prevent closure of the secondary/tertiary Air Lever Control Rod beyond the DEFRA open position.

The DEFRA limiter supplied with the stove must be fitted to meet the requirements before using this stove if you are located within a DEFRA Smoke Free Zone. The DEFRA limiter is fitted to this stove directly by the factory.

FITTING THE DEFRA LIMITING STOP FIXTURE

i NOTE: THIS STOVE IS ALREADY FITTED WITH THE DEFRA STOP LIMITING SCREW FIXTURE.

Air Control lever rod for the Secondary and Tertiary Air Inlet Control Slider / Damper

Air Management Control Valve, fitted to the underneath of the stove. M4 x 6mm Socket Head Cap Screw and M4 Spring and Flat Washers

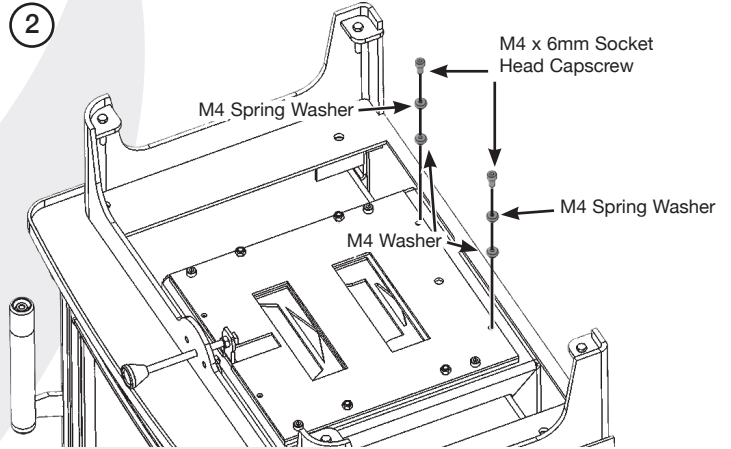
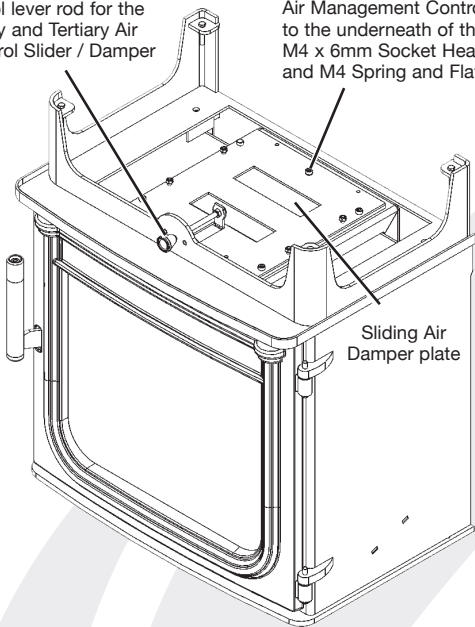


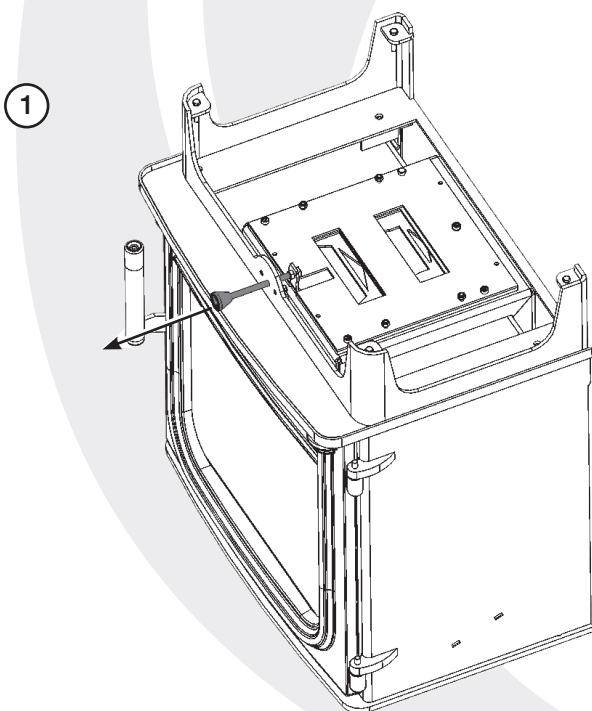
FIG 1: Exploded view showing the DEFRA — Clean Air Limiting Screw Fixture position.

Fit the M4 x 6 Capscrews and Spring and Flat Washers.

Now this is fitted, this stove can be used in a Clean Air Controlled Area. Fitting this limiter will prevent the Secondary and Tertiary Sliders from fully closing and reduce the smoke output of the stove.

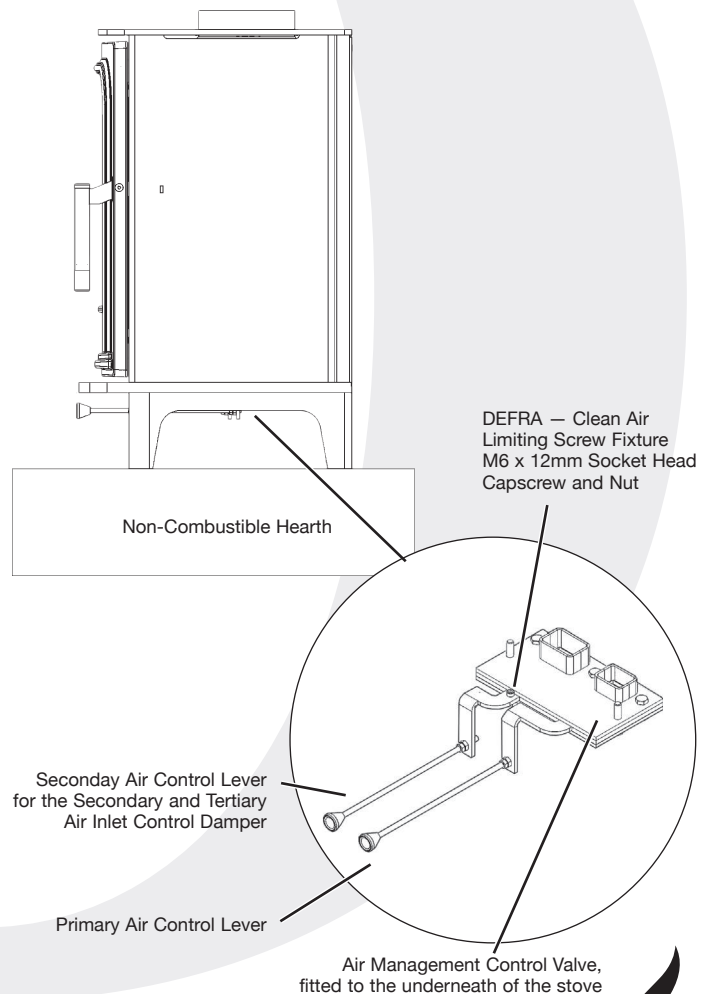
ATHOS 5 / OLYMPUS 5

Fit the M4 x 6 Capscrew, and Spring and Flat washers before the stove is installed otherwise you will not be able to — you will not be able to fit them once the stove is installed.



Pull out the Air Control lever fully and it will expose the hole at the rear centre of the slider base.

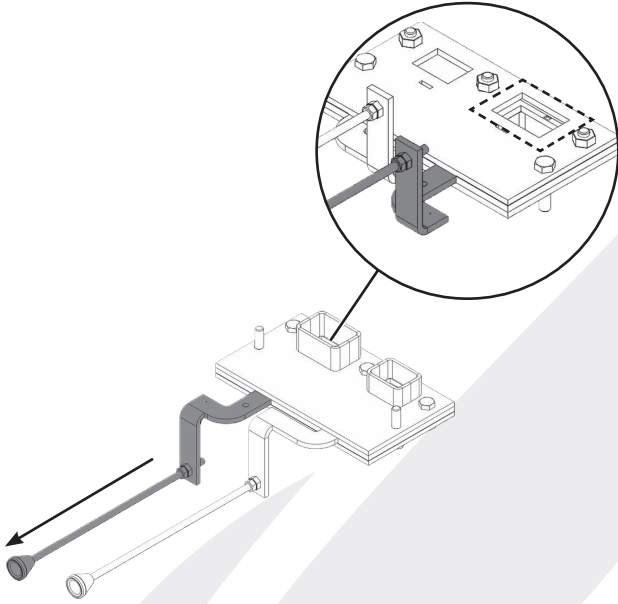
ATHOS 5W / OLYMPUS 5W



Drawings are a representation only and not to scale. Stove shown upside down.

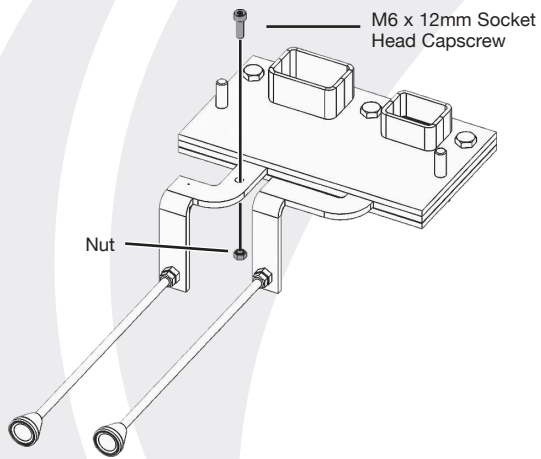
If not already fitted to your stove, please fit a M6 x 12 Capscrew and Nut before the stove is installed — you will not be able to fit it once the stove is installed.

1



Pull out the Secondary Air Control Lever and it will expose the hole in the paddle.

2



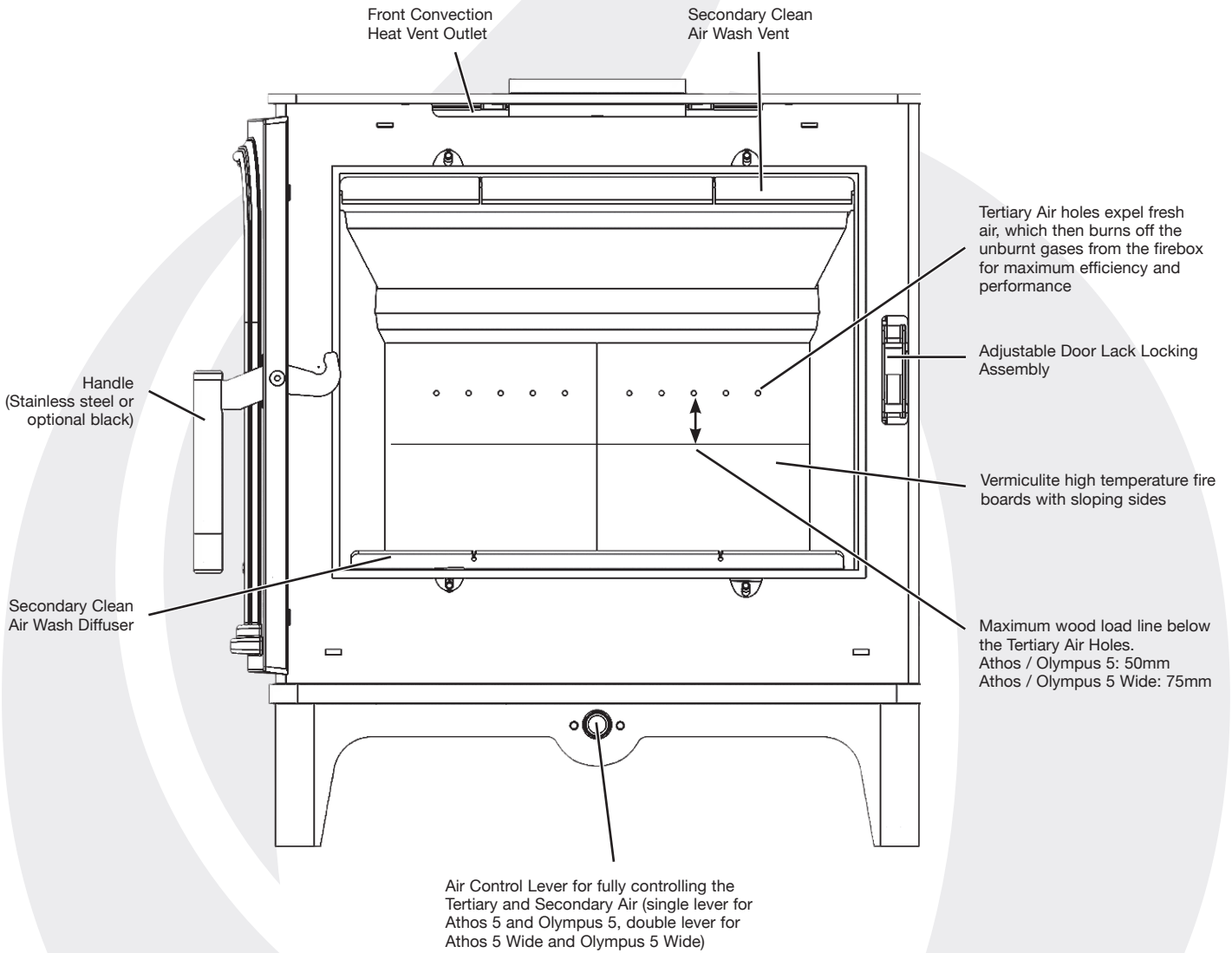
Fit the M6 x 12 Capscrew and Nut.

Now this is fitted, this stove can be used in a Clean Air Controlled Area. By fitting this limiter this will prevent the Secondary Slider from fully closing and reduce the smoke output of the stove.

UNDERSTANDING KEY FEATURES OF THIS STOVE

When opening the door to reload logs, initially just open the door around 5mm for approximately 10 seconds. This will allow the differential air pressure inside the stove to equalise with the atmospheric pressure in the room.

Recommended Maximum Log Length is approximately 350mm.



HOW TO OPERATE THE STOVE

Your stove is very simple and easy to operate, as it is all controlled by the Air Control Lever at the front of the stove. When the control is pushed in fully it's in the Closed Position and minimum air will then enter into the firebox. This minimum air inlet is required for the DEFRA approval so this stove can be used in a DEFRA designated Smoke Free Zone area.

AIR TECHNOLOGY

The Control Lever operates the advanced Air Valve system which is located underneath the stove. This is where all the air enters into the firebox for the Tertiary Air and the Secondary Air for the Clean Air (Door Glass) Wash. The Single Lever operation simultaneously opens and closes both the Tertiary and Secondary Air entering the firebox in just one simple operation, making the stove extremely easy to operate as this is all fully controlled by the single lever at the front of the stove (see image).

TERTIARY AIR

This air enters the rear of the Air Control Valve underneath the stove. The air then comes up through an internal air cavity duct at the rear of the firebox and then comes out at the Tertiary holes in the back fire boards. This air ensures all the heat energy from the gases in the wood are burnt off completely, so you are getting the maximum heat output and efficiency from the wood you are burning. When the Tertiary Air is burning off the gases you will see swirling flames coming out of these air holes. This is normal and means the stove is working efficiently. As the wood burns out, these swirling flames will decrease and then stop. This means it is time to reload a log into the firebox.

SECONDARY AIR

This air enters the front of the Air Control Valve underneath the stove, then comes up internal air cavity ducts on both sides of the stove body, where it is gently preheated. This air then travels into an air cavity duct across the top of the stove and enters the firebox via the Air Wash Vent at the front of the stove at the top across the length of the glass in the cast door. This preheated warm air then washes down the inside of the door glass, keeping the glass clean, and feeds the required oxygen into the base of the fire.



IMPORTANT: DO NOT OVERLOAD THE FIREBOX AS THIS WILL AFFECT THE PERFORMANCE OF THE STOVE AND THE EFFICIENCY OF THE WOOD BEING BURNT.

Only burn the correct fuel and do not overload the firebox. We recommend you only load the firebox to the load line (50mm below the tertiary air holes on the back fire boards), then the tertiary air can work at its maximum efficiency.

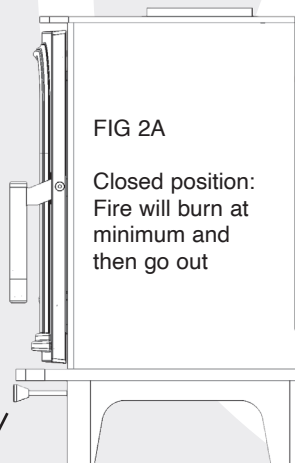


FIG 2A

Closed position:
Fire will burn at
minimum and
then go out

Air Control Lever in the fully closed position

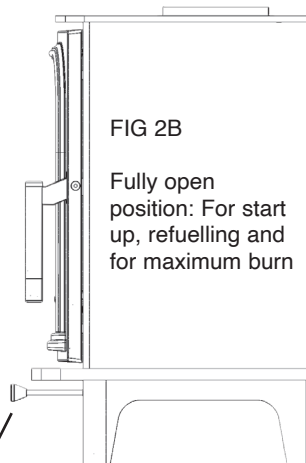


FIG 2B

Fully open
position: For start
up, refuelling and
for maximum burn

Air Control Lever in the fully open position

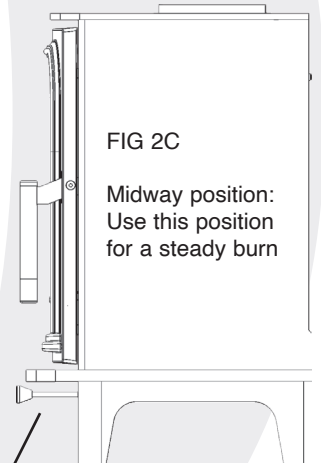


FIG 2C

Midway position:
Use this position
for a steady burn

Air Control Lever in the midway operational burning position

LIGHTING THE STOVE

When operating the stove, it is recommended to use the Heatproof Gloves provided to open the fire door as the door handle and the Air Control Lever will become hot.

1. Open the fire door and fully OPEN the Air Control Lever (See Page 18) by pulling the Air Control Lever fully out.
2. Cover the base of the firebox with crumpled pieces of paper or a couple of fire lighters then lay 10-12 pieces of dry kindling on top of the paper towards the back of the firebox.
3. Ignite and hold the door open by approximately 10mm for 60 seconds or so. This will allow a burst of air into the firebox to assist ignition. Then CLOSE the fire door and engage the handle down into the locked position.

i **NOTE: WHEN THE FLUE IS COLD IT WILL HAVE VERY MINIMUM DRAW/PRESSURE. SMOKE WILL ALWAYS WANT TO TRAVEL TO THE PLACE OF LEAST RESISTANCE SO POTENTIALLY SOME COULD COME OUT FROM THE DOOR.**

4. When the kindling is well alight open the fire door slowly (see Notes 5 and 6 below) and add more kindling of a larger size of wood to sustain the fire. Typically a log up to 350mm in length is a good size to burn on this stove. Close the fire door.
 5. When refuelling: Before opening the door, open the Air Control Lever (see Page 18) fully as this will help to eliminate any smoke or fly ash resident in the firebox (combustion chamber).
 6. Therefore, when opening the door for reloading kindling or logs, initially just open the door around 5mm for approximately 10 seconds. This will allow the differential air pressure between inside the stove to equalise with the atmospheric pressure in the room.
 7. When a hot fire bed is established add more logs. We recommend two logs placed one in front of each other (side to side in the firebox), ideally not touching the rear firebricks or each other, so the flames can come around both sides and the ends of the logs. Please do not overload the firebox as this just reduces the efficiency of the stove. Keep the logs 50mm below the Tertiary air holes on the back fire boards.
 8. When well-lit and burning steady, adjust the Air Control Lever as required, depending on the fuel load being used and the heat output you require (See Page 18).
- Wide models:** Both controls should be adjusted in conjunction with each other to get the appropriate burn rate with exact settings on each control depending on the draught conditions of the chimney to which the unit is connected.

Athos 5 Wide / Olympus 5 Wide		
Fuel	Primary Air	Secondary Air
Smokeless Fuel	Adjust to desired setting	Fully closed
Wood	Max opening of 50%	Adjust to desired setting

! **DO NOT LEAVE BOTH AIR CONTROLS FULLY OPEN AS THIS CAN CAUSE THE STOVE TO OVERHEAT, DAMAGING THE INTERNAL COMPONENTS.**

FIRST LIGHTING

Before lighting the stove, check with the installer that the installation work and commissioning checks described previously have been carried out correctly and that the chimney has been swept clean, is sound and free from any obstructions. As part of the stove's commissioning and handover the installer should demonstrate how to operate the stove correctly.

FOR THE FIRST BURN ONLY: Leave the door slightly ajar by approximately 20mm during the first firing of 30 minutes to prevent the door rope from sticking to the paint during the curing process. You must stay with the stove during this process do not leave the stove unattended.

DISPOSAL OF ASHES

If ashes are allowed to build on the base fire boards above approximately 40 to 60mm they will start to affect the performance of the stove, as when you relight the fire and load on new logs they could be higher than the Tertiary holes on the back boards. We recommend that you remove ashes after each fire but only when the stove and ashes are thoroughly COLD.

! **DO NOT ATTEMPT TO REMOVE ASHES WHEN THE FIRE IS BURNING OR THE ASHES ARE HOT.**

Ashes should be placed in a metal or other non-combustible container with a tight fitting lid. The closed container of ashes should be placed on a non-combustible material, pending final disposal. If ashes are buried in soil or otherwise dumped they should be retained in the closed container until they are thoroughly cooled.

i **NOTE: THE HANDLE AND AIR CONTROL LEVER MAY BECOME HOT WHEN THE STOVE IS IN OPERATION. USE THE HEATPROOF GLOVE PROVIDED TO ADJUST THE CONTROLS WHEN THE STOVE IS HOT.**

UNDERSTANDING WHAT IS SLOW BURNING A WOOD BURNING STOVE

Slow burning will cause the door window glass to blacken and can craze and damage the glass. This should not be used for long periods of burn time. It should only be done after the fire has been established with a good bed of hot ash and been running at nominal output for a period of time.

For a prolonged slow burn/minimum burn, fill the firebox of fuel up to a maximum load level* below the Tertiary Air holes on the back fire boards.

- **Athos 5 / Olympus 5:** Pull out the Air Control Lever fully so the wood starts to burn well, then push the Air Control Lever into the minimum setting (see Page 18). We recommend that you pull the Air Control Lever out to the maximum position for 10 minutes every 30 to 40 minutes as this will help to burn off any damaging residues that could have formed on the inside of the glass (this depends on the quality of the wood you are burning).
- **Athos 5 Wide / Olympus 5 Wide:** Push the primary air control knob in to close the primary air to the minimum setting and push the secondary air control in to set the secondary air to the minimum setting. Please refer to Page 18.

STOVE DOOR GLASS HAS GONE CLOUDY WHITE OR HAS CRAZED LINES IN IT

If your glass has turned milky white, crazed or discoloured, this is caused by the fuels being burnt on the stove. The most common explanation for a white residue that coats or clouds your stove glass is the presence of sulphur. The most common reason for the presence of sulphur is that it's contained within the fuel being burnt. Different levels of sulphur are present, depending on the quality of the fuel being burnt. As the fuel is burnt it will mix with the water content/condensation in the fuel and sulphuric acid will form and then stick to the inside of the door glass.

Sulphuric acid is extremely corrosive; if left on the inside of the glass it will start to etch into the surface of the ceramic door glass. As the stove heats up, the moisture boils away leaving a mixture of sulphur dioxide and sulphur trioxide, which is in the form of a white powder and this, if left, etches into the glass.

It cannot be cleaned off, resulting in the white cloudiness or, if left for a period of time, thin lines can be seen in the glass (called crazing). When the glass is wiped with a wet cloth, it will first look as though the cloudiness has gone. But, as soon as the glass has dried, the white powder trapped in the etched glass appears again.

Unfortunately, there is nothing that can be done, except for replacing the glass. However, the glass is not weakened and the stove can be used as normal. The damage is cosmetic only.

WE RECOMMEND YOU OPERATE YOUR STOVE AS FOLLOWS TO HELP AVOID ANY DISCOLOURATION OF YOUR STOVE GLASS:

Clean the glass. Regularly clean the glass. Do this only when the stove is completely cold. We recommend the inside of the glass is fully cleaned after every burning session. You can do this using something as simple as a damp cloth.

Dip it in some clean ashes — make sure there are no bits of charcoal in the ash. Only clean the glass when the stove is completely cold. Use the cloth to wipe the inside of the glass in small circular motions. The ash acts as a gentle abrasive and you should see the colouration coming off as long as it has not been etched in. When you have completed this, finish off with a clean dry cloth.

Use the air control correctly. This stove is fitted with a preheated clean air wash. Make sure that your stove is set correctly so the air wash is operating correctly. When the stove is burning well ensure the Air Controller Lever is pulled out fully; then the Secondary and Tertiary Air is at its maximum flow. This will help allow maximum clean preheated air down the front of the door glass into the burning chamber and that will help keep the glass clearer.

Do not slumber burn. This means that you should avoid letting your stove tick over gently for long periods of time. When you first light the stove let it come up to temperature and let it burn hot for at least 20 minutes. When you turn the stove down make sure that you are still getting good flames with no darker wisps of smoke. If you want a stove to give out less heat put less wood on rather than turning the air wash down.

Burning 1.2kgs of good quality, seasoned dry wood will give off around 5.0 kW's of heat and will take around 60 plus minutes to burn out with the air wash operating. If you want less heat we recommend you put on less fuel, but still keep your air wash open

Do not slumber your stove. Allowing your stove to burn for extended periods without adding more fuel results in an inefficient burn. This then encourages the release of gases like sulphur and increases the likelihood of them condensing within your stove system. At the end of the burning session, open the Air Control Lever up fully to burn any remaining fuel off rather than allowing it to slowly burn out over the coming hours.

RECOMMENDED FUEL

Only use recommended fuels on your stove.

- **Athos 5 / Olympus 5** is a wood burning stove only. Do not burn smokeless or household coal on this stove. Do not burn fuels that have a high sulphur content such as household coal (also known as bituminous coal, house coal and smoky coal) or petroleum coke (or pet coke).
- **Athos 5 Wide / Olympus 5 Wide** can use both wood and smokeless fuels.

WHEN BURNING WOOD:

- Ensure your wood is fully dry. Burning damp or wet wood will heighten potential problems with sulphur, so make sure your fuel is stored in a dry place. When you buy wood that might have been exposed to the elements before, give it a chance to dry out fully before burning it. Ensure you are burning wood that is well seasoned before use.
- We recommend you use well-seasoned hard woods. Use a moisture meter to ensure the wood has a moisture content of less than 20%. But even when the moisture meter says it is less than 20% moisture, if the wood is of poor quality or is wet or even damp potentially it will still have a high moisture content.
- Burning wet or damp wood will cause condensation to form on the glass, which will blacken and then potentially release sulphur and turn the glass cloudy and craze the glass permanently. Burning poor quality or damp wood means you will get up to 50% less heat output from the fuel you are burning. Do not burn pallet wood or any type of treated timber as these will damage the glass and the flue ways. You can also burn kiln dry soft woods with a moisture content of less than 20% on this stove, but the heat output and the burn time of this wood tends to be less when compared to well-seasoned hard woods.

* Athos 5 / Olympus 5: 50mm
Athos 5 Wide / Olympus 5 Wide: 75mm

BURNING SMOKELESS FUELS:

When loading the fire with smokeless fuels it is advised not to put all the required fuel in at once, load in two stages to ensure that the fire will not be smothered and wait between each stage for the flames to grow before adding the remaining fuel. Certain fuels may produce more soot deposits than others, therefore it is essential for you to regularly clean the baffle/throat plates to avoid build up. When relighting a smokeless fuel fire ensure you have cleared the grate and emptied the ash pan before starting a new fire.

All fuels should be stored under cover and kept as dry as possible prior to use. This appliance has been tested using seasoned wood logs. Wood logs up to approximately 350mm long are suitable. All fuels should be stored under cover and kept as dry as possible prior to use. Only burn the recommended fuels.

Never use gasoline or gasoline-type lantern fuel, kerosene, charcoal lighter fluid or similar liquids to start or freshen up a fire in this stove. Keep all such liquid well away from the stove at all times. Operate the stove only with the door closed, except for re-fuelling.

Having the fire burning with good flames for 15 to 20 minutes in every hour will also help burn off deposits and help prevent sulphur deposits forming and etching on the inside of the glass. Make sure that your chimney is kept well swept and all flue ways are kept clean.

REFUELLING

Before opening the door, open the primary air control fully as this will help to eliminate any smoke or fly ash resident in the combustion chamber.

Add fuel to fire, close fire door and adjust the primary air control to the desired position

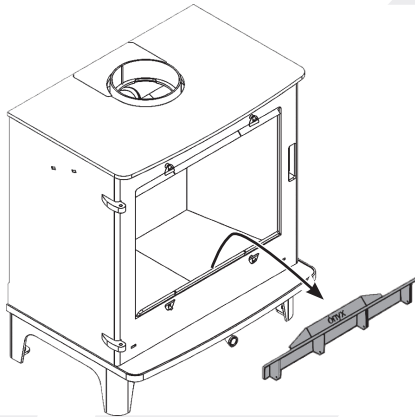
PERIODIC MAINTENANCE

ADJUSTING THE DOOR CATCH

Over time, the fire door latch can loosen due to the continual compression and hardening of the rope seal between the door and the front of the stove. The tightness of the door seal should be checked periodically and it is recommended that the rope seals on the stove are changed at least every two years, or sooner if the seal loses its airtight seal integrity.

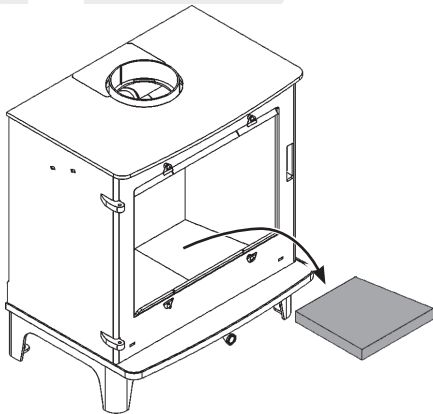
ADJUSTING THE DOOR HANDLE ASSEMBLY

1



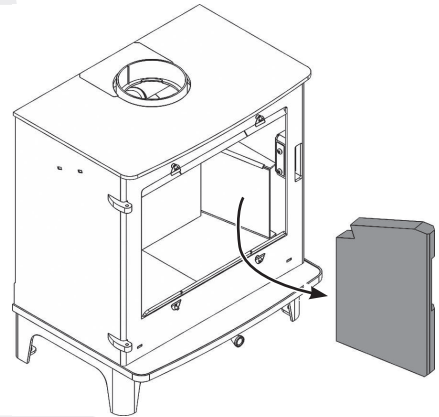
Open the door and remove the steel air deflector (picture shown with door removed).

2



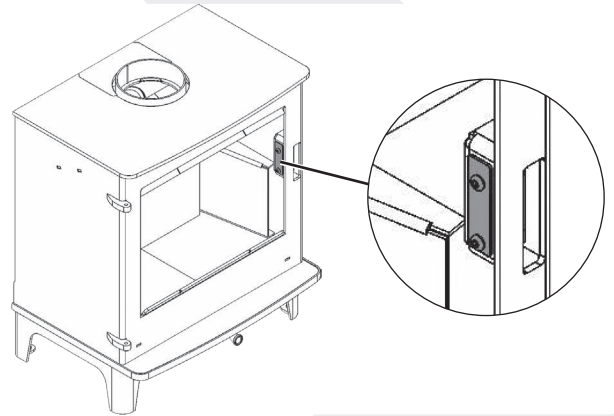
Lift out the right-hand base fire board.

3



Remove the right-hand side fire board. This board can be removed by putting your finger in the top and gently pulling it forward.

4



Loosen the 2 x M6 screws to tighten the door rope seal by moving the latch back approximately 1.0mm, then retighten the 2 x screws and check for tightness. Repeat if necessary so you get a good airtight door seal.

Ensure both bolts are tight on completion.

MONTHLY MAINTENANCE

FLUE PATHWAYS

It is recommended that the flue pathways in the stove are cleaned on a regular basis (every 3 months, or less depending on the soot build-up created by the fuel being used) and the chimney cleaned annually. To access the chimney pathways, please follow the procedure (opposite page) for removing and replacing the fire boards.

GLASS REPLACEMENT

ONLY REPLACE IF IT IS CRACKED OR DAMAGED



DO NOT OPERATE THIS STOVE IF THE GLASS IS CRACKED OR BROKEN AS THE FIREBOX WILL NOT BE AIRTIGHT AND THE FIRE WILL NOT BE ABLE TO BE CONTROLLED BY THE AIR CONTROL LEVER.

How to change the door glass and glass seal:

Open the door fully and then:

1. Remove the 4 x fixing screws and the 2 x inner glass retaining strips top and bottom
2. Clean the glass recess in the door and remove any debris
3. Replace the adhesive black thermal tape on the back face of the door, if damaged
4. Fit the glass in position and replace the 2 x glass retaining strips top and bottom and the 4 screws
5. Hand tighten the screws turning back quarter of a turn when they are hand tight. Do not over-tighten these screws as when the stove becomes hot these will expand and this can cause the glass to crack
6. Only use genuine parts. Only replace with high temperature ceramic glass

Before re-lighting the stove remove all fingerprints otherwise they will be burnt into the glass.

CLEANING

CHIMNEY CLEANING

The chimney should be cleaned at least once per year; or if the stove is not used for a prolonged period during the summer period, it should be cleaned prior to commencement of usage. The chimney can be cleaned through the stove; the flue liner should be cleaned in accordance with manufacturer's instructions. Always use a brush with plastic bristles that is the correct size to reach all areas of the flue.

GLASS CLEANING

The stove glass will self-clean when there is sufficient heat generated by the burning fuel i.e. when the unit is operated at the maximum burn air settings (Air Control Lever fully pulled out). If a build-up of debris/creosote occurs on the glass it may be due to low flue draft conditions, poor quality fuel or operating the stove at the minimum air settings for long periods of time. The glass should be cleaned when cool and cleaned with a non-abrasive cloth or using a dry wipe. For stubborn deposits, a grade 0 steel wool can be used whilst taking care not to scratch the glass with any ash deposits.

CLEANING THE MATT BLACK PAINT FINISH

Cleaning should be done when the stove is cold by removing any dust or dirt using a dry cloth. Do not use any water on the heatproof matt black finish as this could cause it to rust. If required, touch spray is available to purchase from your installer.

PROLONGED PERIODS OF NON-USE

If the stove is to be left unused for a prolonged period of time then it should be given a thorough clean to remove ash and unburned fuel residues. To enable a good flow of air through the appliance and to reduce condensation and subsequent damage, leave the Air Control Lever fully open.

It is important that the flue connection, any appliance baffles or throat plates and the chimney are swept prior to lighting up after a prolonged shutdown period.

IMPORTANT OPERATION AND MAINTENANCE NOTES

Now that your stove is installed, and no doubt you are looking forward to the many comforts it will provide, we would like to give you some tips on how to get the best results from your stove.

SUMMARY OF POINTS

We would like if you could take some time to read these Operating Instructions and hints, which we are confident will be of great benefit to you.

1	Do not burn wood/fuel with a high moisture content, such as unseasoned timber, waste wood or pallet wood. This will only result in a build up of tar in the stove and in the flue / chimney, and in the long term be very expensive to maintain and replace. PLEASE NOTE: This stove has been fully tested for compliance to the BS EN 13240 Standard, Ecodesign 2022 Standard, and the DEFRA Smoke Exempt Standard for burning wood.
2	IMPORTANT: The first few fires should be relatively small to permit the refractory fire boards and paint to set/cure properly and season the stove. During these firings it is recommended to ventilate the room as an unpleasant (not toxic) odour and smoke may be emitted as the paint is completing cured.
3	Leave the door slightly open by 20mm during the first firing of 15 to 20 minutes; this will help to prevent the door rope seal from sticking to the paint during the curing process. Do not leave the stove unattended.
4	Inspect the flueways of the stove weekly and ensure that there are no blockages. Check flueways before lighting, especially after a shutdown period. Please see chimney cleaning section on the previous page.
5	Never allow a buildup of ashes in the base of the firebox. Empty the ash out daily when in use but only when the stove is cold, as detailed earlier in this manual.
6	Avoid slow burning of damp or unseasoned fuel as this will result in tarring flue ways and chimney and potentially damaging the door glass which can cause it to craze. Additionally slow burner/slumbering the stove can also cause crazing of the glass. Once the glass has been crazed it will go cloudy with lines all over the glass. Once this has occurred the glass needs to be replaced. This is not covered by any warranty whatsoever. To help avoid this burn the fire on maximum for a minimum of 15 to 20 minutes 60 minutes as this help to burn off any harmful substances on the glass.
7	Allow adequate air ventilation to ensure plenty of air for combustion.
8	Do not burn rubbish or household plastic in this stove.
9	Have the chimney professionally cleaned at least once a year.
10	Burning wood can potentially stain the glass, especially on a low burn or when slumbering the stove. Regular cleaning will prevent permanent staining. Clean with a dry wipe when cool. REFER TO POINT 6 ABOVE.
11	Keep all combustible materials a safe distance away from stove. Please see Page 10 for clearances to combustibles.
12	Never use or attempt to burn aerosol spray can (full or empty) near the appliance when it is in operation.
13	For safety reasons never leave children or the elderly unaccompanied while stove is in use. Use a fire guard.
14	Avoid contact with the appliance when in use as stove reaches very high operating temperatures.
15	This appliance should be regularly maintained by a competent service engineer.
16	Always use heatproof gloves to open the door for refuelling and when placing logs onto the firebox.

INSTALLATION AND MAINTENANCE

In addition to these instructions the requirements of BS 8303 and BS EN 15287 must be fulfilled. Local Authority Bylaws and Building Regulations regarding the installation of Solid Fuel burning appliances, flues and chimneys must also be taken into account.

The installation is a notifiable building works as defined in the Building Regulations and it is a legal requirement under England and Wales Building Regulations that the installation is either carried out under Local Authority Building Control approval or is installed by a Competent Person registered with a Government approved Competent Persons Scheme.

Therefore this appliance and installation must comply with the following regulations:

- British Standards BS 8303. BS EN 15287-1:2010
- Building Regulation Approved Document J for England and Wales
- Building Regulations Part F for Scotland
- Building Regulations/1997 Technical Guidance Approved
- Document J-Heat Producing Appliances for the Republic of Ireland
- Registered Body: HETAS (GB only) INFO (Ireland)
- This appliance must be fitted by an approved installer or inspected and signed off by a Building Control Officer.

When installing, operating and maintaining your stove, respect basic standards of fire safety. Read these instructions carefully before commencing the installation. Failure to do so may result in damage to persons and property. Consult your local Council office and your insurance representative to determine what regulations are in force. Save these instructions for future reference.

Please note that it is a legal requirement under England and Wales Building Regulations that the installation of the stove is either carried out under Local Authority Building Control approval or is installed by a Competent Person registered with a Government approved Competent Persons Scheme. HETAS Ltd operate such a scheme and a listing of their Registered Competent Persons can be found on their website at www.hetas.co.uk.

Special care must be taken when installing the stove such that the requirements of the Health and Safety at Work Act are met.

HANDLING

Adequate facilities must be available for loading, unloading and site handling, as this stove is HEAVY.

FIRE CEMENT

Some types of fire cement are caustic and should not be allowed to come into contact with the skin. In case of contact with the skin wash immediately with plenty of water.

ASBESTOS

This stove contains NO asbestos. If there is a possibility of disturbing any asbestos in the course of installation then please seek specialist guidance and use appropriate protective equipment.

METAL PARTS

When installing or servicing this stove care should be taken to avoid the possibility of personal injury.



WARNING: THIS STOVE MUST NOT BE INSTALLED INTO A CHIMNEY THAT SERVES ANY OTHER HEATING APPLIANCE. THE COMPLETE INSTALLATION MUST BE DONE IN ACCORDANCE WITH CURRENT STANDARDS AND LOCAL CODES. IT SHOULD BE NOTED THAT THE REQUIREMENTS AND THESE PUBLICATIONS MAY BE SUPERSEDED DURING THE LIFE OF THIS MANUAL.

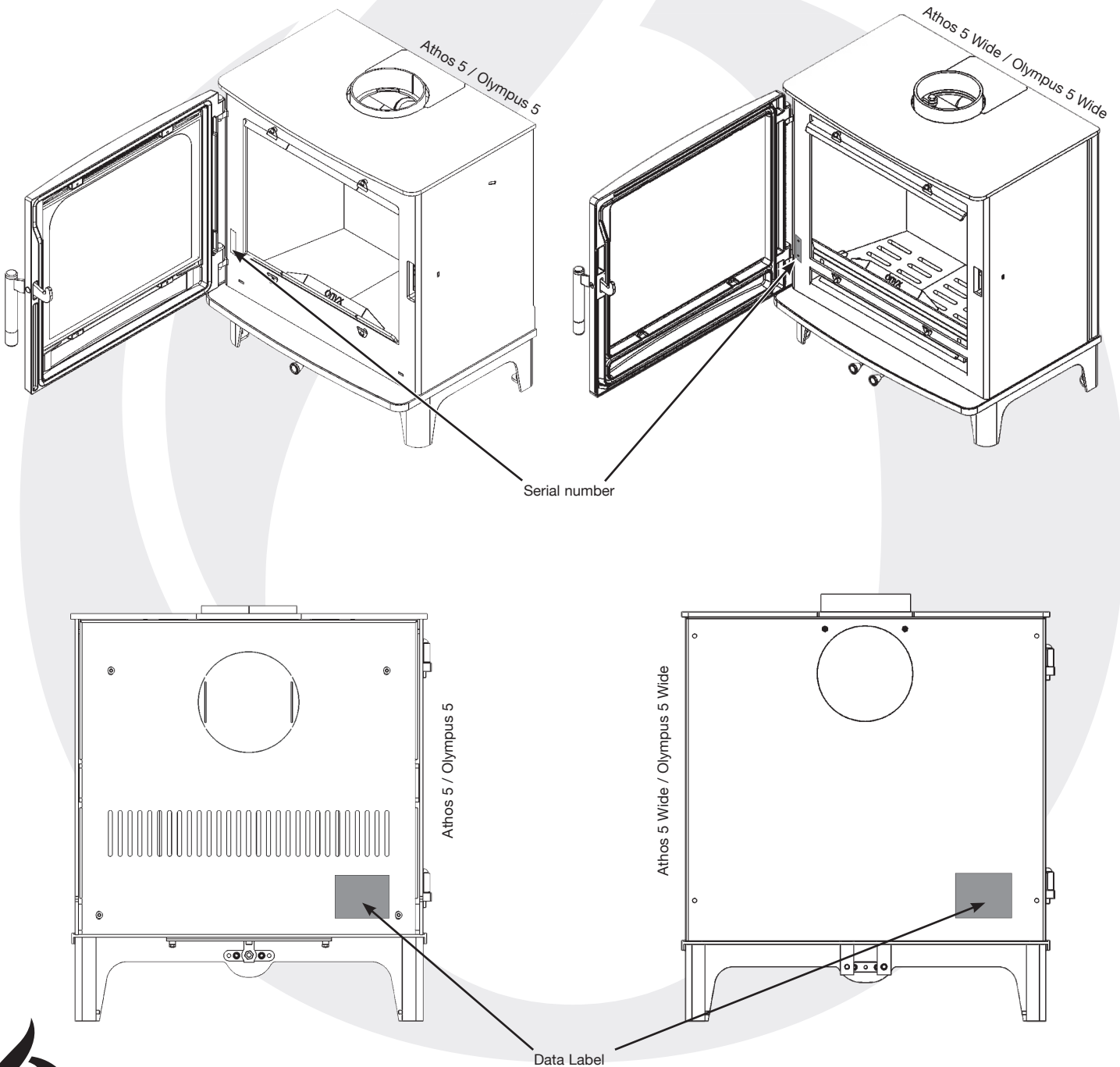
Please refer to the current standards: BS EN 15287-1:2007 Design, Installation and Commissioning of chimneys; BS EN 14336:2004: Heating Systems in Buildings, Installation and Commissioning of Water Based Heating Systems; BS EN 12828: 2003 Heating Systems in Buildings, Design of Water Based Heating Systems; BS EN 12831: 2003; Heating Systems in Buildings method for calculation of the design heat load.

COMMISSIONING AND HAND OVER OF THE STOVE TO THE CUSTOMER

On completion of the installation allow a suitable period of time for any fire cement and mortar to dry out, when a small fire may be lit and checked to ensure the smoke and fumes are taken from the stove up the chimney and emitted safely to the atmosphere. Do not run this stove at High Heat (Air Control Lever Fully Out Position) output for at least 24 hours.

Ensure that the operating instructions for the stove are left with the customer. Ensure to advise the customer on the correct use of the appliance with the fuels likely to be used on the stove and warn them to use only the recommended fuels for the stove. Advise the user what to do should smoke or fumes be emitted from the stove.

The customer should be warned to use a fireguard to BS 8432: 2010 in the presence of children, aged and/or infirm persons.



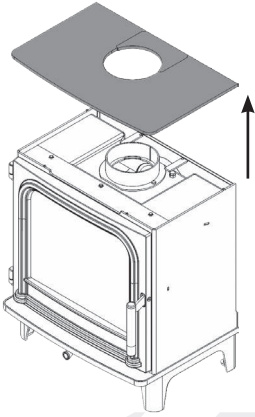
INSTALLATION CHECK LIST

REF	FLUE SYSTEM	TICK
1	Recommended Minimum Flue Height of 4.60 metres for the installed flue	
2	The chimney/flue termination must be installed in accordance with Building Regulations Part J	
3	The chimney serving this appliance should not serve any other appliance	
4	Access should be provided to the chimney serving the appliance to allow for cleaning	
5A	A Carbon Monoxide Alarm is fitted and fully working in the room where the stove is installed	
5B	A Smoke Detector Alarm is fitted and fully working in the room where the stove is installed	
6	Flue Draft has been checked and is within the tolerance of 12 to 16 Pascals	
7	Downdraft – If a potential downdraft situation is pending an anti-down draft cowling must be installed	
8	Flue Size and Flue Design – The flue is correct as per the requirements of this manual and relevant Building Regulations in force	
STOVE LOCATION		
9	Clearance to combustible materials dimensions must be adhered to as described in the Clearance to Combustibles in this manual	
10	The stove must be installed on a Non-combustible 12mm thick Hearth (floor protector) that covers the area under the stove and extends to a minimum of 300mm (12") to the front of the stove	
11	Clearance must be maintained around the stove to allow for maintenance and parts replacement	
VENTILATION AND COMBUSTION AIR REQUIREMENTS		
12	The stove must not be installed in the same room as an extractor fan	
13	This stove has a Nominal Heat Output of less than 5.0 kW, so an air brick is not required to be fitted in the room where the stove is installed. However an external air kit is available for this stove. For a house that has been built post 2008 or had renovation that includes double glazed windows or insulation, an air vent may be required.	
CUSTOMER HAND OVER		
14	The customer has been shown how to operate the stove and fully understands how it works	
15	The customer fully understands what wood can be burnt on this stove	
16	The customer fully understands the maintenance and regular checks that they are responsible for	

FLUE CONVERSION

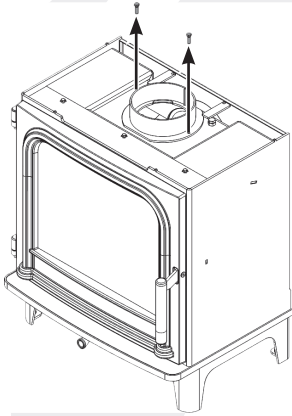
CHANGING FROM THE TOP FLUE EXIT TO REAR FLUE EXIT

①



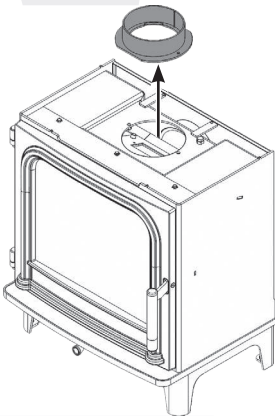
Remove lid and rear infill panel.

②



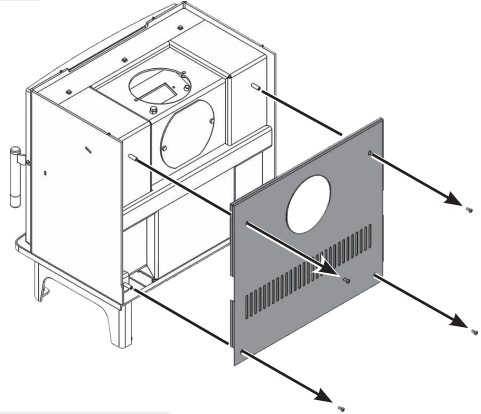
Remove flue collar.
Remove the 2 x M5 screws.
Check seal is intact.

③



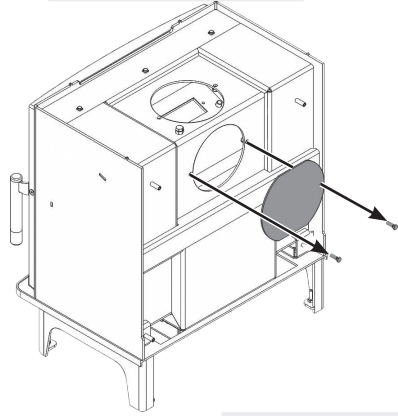
Remove the flue collar.

④



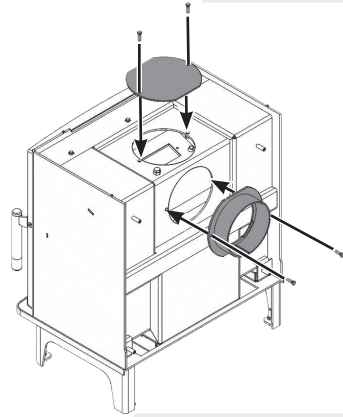
Remove the back panel by removing the 4 x M5 screws.
Remove the knock out plate in the back panel.

⑤



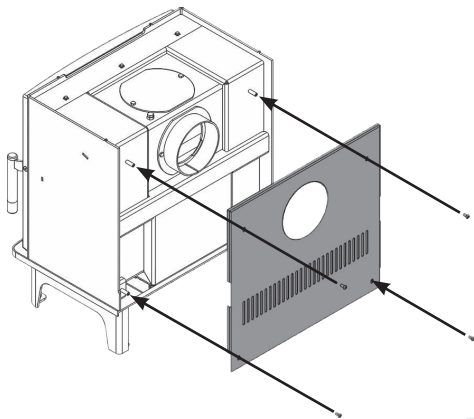
Remove the rear flue blanking via the 2 x M5 screws.
Check the rope seal is intact. If damaged, replace.

⑥



Exchange positions of the blanking plate and the flue collar.
Refit the screws.

7



Refit the back panel.

If you require a top outer blanking plate, these are available as an optional extra from your installer.

FLUE REQUIREMENTS

The chimney must be swept before installation and checked for soundness and suitability. The chimney must also be free from cracks and blockages. We would recommend a good quality stainless steel flexi liner is fitted into an existing chimney if one is not already fitted.

Alternatively, if the property does not have an existing chimney we recommend a good quality twin wall flue system is used.

The chimney and connecting flue pipe (flexi liner or twin wall system) must not be narrower than 128/130mm diameter (5 inch) off the top of the stove; the first 1.0m of flue can be single wall or twin wall. This flue diameter, if required, can then be increased to 150mm (6 inch) after approximately the first 1.0 metre or greater of 128/130mm flue is fitted off the top of the stove.

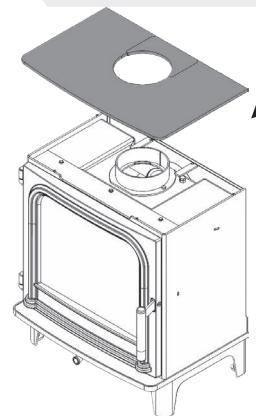
- This appliance must not be used in a shared flue system
- The recommended minimum flue draft pressure is 12 pascals at nominal output, with a maximum flue draft pressure of 15 to 16 pascals
- The recommended Minimum Flue Height is 4.6 metres, ideally with the flue height being equal or higher than an existing chimney fitted to the property or 1.0m above the apex of the roof.

CHECKING THE FLUE DRAFT PRESSURE

We recommend testing the flue draft pressure when the stove has been burning for a minimum of 30 minutes and the stove and flue are HOT. The door must be sealed when taking the draft pressure reading using the pressure test point, as illustrated.

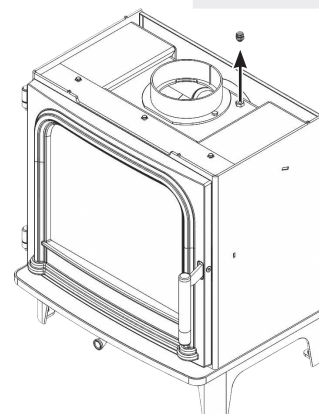
Ideally the flue draft pressure for the most efficient burn should be around 12 Pascals. If the flue pressure is constantly greater than 15 to 16 Pascals we recommend a flue restrictor is fitted. Also if there is a downdraft on the flue we recommend an anti-downdraft cowling is fitted to the flue system.

1



Remove lid and rear infill panel.

2



Remove M10 x 16mm pressure test point bolt. Then, using a manometer, take flue pressure measurement. When completed place bolt and ensure a good airtight seal. Then replace the lid.

FLUE DESIGN AND CONFIGURATION

Flues should be vertical wherever possible and where a bend is necessary it should not make an angle of more than 45° with the vertical. Horizontal flue runs should be avoided except in the case of a back outlet from the appliance, when the length of the horizontal section should not exceed 150mm.

In order to minimise flue resistance and to make sweeping easier it is recommended to use 2 x 45° bends rather than a 90° bend.

CHIMNEY



DO NOT CONNECT TO A CHIMNEY SERVING ANOTHER APPLIANCE.

The stove is a radiant and conventional room heater and must be connected to a chimney of the proper size and type. The stove is designed to be installed with a 5" (128mm) flue. The stove is supplied with a 5" flue spigot. It is best to connect to a chimney of the same size, as connection to a larger size may result in a somewhat less draught.

A flue that has proved to be unsatisfactory, particularly with regard to down draught, should not be used for the flue/venting of this appliance until it has been examined and any faults corrected. An existing masonry chimney should be inspected and, if necessary, repaired by a competent mason or relined using an approved lining system.

All register plates, restrictor plates, damper etc., which could obstruct the flue at a future date should be removed before connecting this appliance.

If connecting to an existing chimney with a flue diameter of more than 200mm (8") it is recommended to line the flue using a suitable stainless steel flue liner.

Where a masonry chimney is not available a proprietary type of 5"/128mm — twin wall, fully insulated pipe may be used. The pipe must terminate at a point not lower than the main ridge of adjacent outside obstructions. With such installation, access to the chimney must be provided for cleaning purposes.

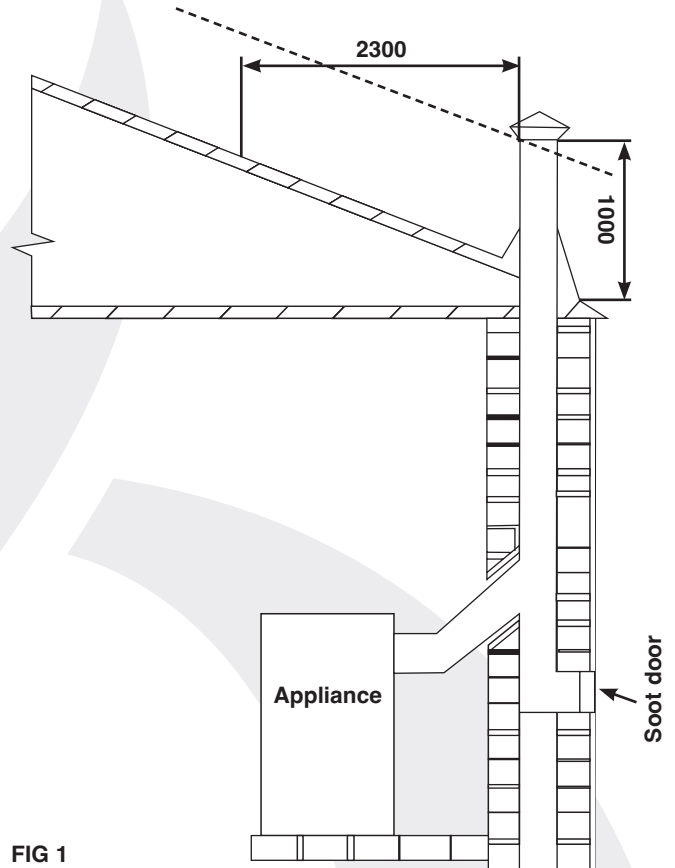


FIG 1

Fig 1 — A chimney / flue termination must be located to minimise wind effects. A basic guide is that the distance from the termination to the roof should be at least 2300mm when measured horizontally and at least 1000mm when measured vertically. In circumstances where there are adjoining buildings/structures/roof openings there are additional requirements (please refer to Building Regulations Part J).

DOWN DRAUGHTS

However well designed, constructed and positioned, the satisfactory performance of the flue can be adversely affected by down draught caused by nearby hills, adjacent tall buildings or trees. These can deflect wind to blow directly down the flue or create a zone of low pressure over the terminal. A suitable terminal or cowl will usually effectively combat direct down blow but no cowl is likely to prevent down draught due to a low pressure zone.

It is imperative that there is sufficient air supply to the stove in order to support correct combustion. The air supply to this appliance must comply with current Building Regulations Part J, Heat Providing Appliances.0

VENTILATION AND COMBUSTION AIR REQUIREMENTS

It is imperative that there is sufficient air supply to the stove in order to support correct combustion. The air supply to this appliance must comply with current Building Regulations Part J, Heat Providing Appliances. If another appliance is fitted in an adjacent room it will be necessary to calculate an additional air supply.

NOTE: THERE MUST NOT BE AN EXTRACTOR FAN FITTED IN THE SAME ROOM AS THE STOVE AS THIS CAN CAUSE THE STOVE TO EMIT SMOKE AND FUMES INTO THE ROOM.

Extractor fans, cooker hoods and other heating devices placed in the same room or space as the appliance may cause problems. Extra ventilation must be installed as per each appliance's requirements.

All materials used in the manufacture of air vents should be such that the vent is dimensionally stable, corrosion resistant, and no provision for closure. The effective free area of any vent should be ascertained before installation. The effect of any grills should be allowed for when determining the effective free area of any vent.

Air vents should be positioned so that they are not liable to blockage. Air vents direct to the outside of the building should be located so that any air current produced will not pass through normally occupied areas of the room.

An air vent outside the building should not be located less than the dimensions specified within the Building Regulations and BS 8303: Part 1 from any part of any flue terminal. These air vents must also be satisfactorily fire proofed as per Building Regulations and BS 8303: Part 1.

Air vents in internal walls should not communicate with bedrooms, bedsits, toilets, bathrooms or rooms containing a shower. Air vents traversing cavity walls should include a continuous duct across the cavity. The duct should be installed in such a manner as not to impair the weather resistance of the cavity.

Joints between air vents and outside walls should be sealed to prevent the ingress of moisture. Existing air vents should be of the correct size and unobstructed for the appliance in use.

VENTILATION

Many older buildings are sufficiently ventilated by natural leakage of air to provide suitable air supply for an appliance of 5kW output or less.

Modern building techniques have reduced the amount of air that leaks in or out of a house. A modern construction with an air tightness of less than 5m³ per hour per m² requires an air vent for **ALL** solid fuel appliances including those with a rated heat output of less than 5kW.

NOTE: The air leakage of a modern house is tested at the completion of construction and a certificate issued confirming this.

This appliance requires a constant supply of air to maintain proper combustion and effective flue performance.

An inadequate air supply can result in poor combustion and smoke entering the room, which is potentially dangerous.

This supply of air can come from either:

- Purpose provided ventilation.
- Some Stovax appliances can also be fitted with an optional outdoor air kit which allows air to be drawn in from the outside.

The amount of air required must comply with local building regulations and the rules in force.

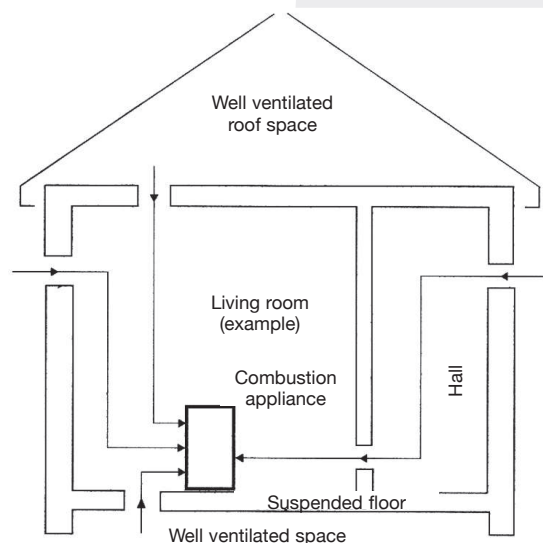
If vents open into adjoining rooms or spaces there must be an air vent of at least the same size direct to the outside.

Site the vents where cold draught is unlikely to cause discomfort. This can be avoided by placing vents near ceilings or close to the appliance (See diagram).

The appliance shall not be installed with ventilating systems which have pressure below -15Pa.

Increase air supply provisions where a room contains multiple appliances.

If any checks reveal problems do not proceed with the fitting of the appliance until they have been rectified.



BUILDERS OPENING

Many fireplace openings have a supporting lintel. Remove the covering plaster to identify its position before starting any constructive work. Do not remove constructional lintels without making provision to support the remaining structure of the building. The appliance must not form any part of the supporting structure.

The chimney/flue must have a sealed connection to the appliance flue spigot.

The structure of the builders opening will reach high temperatures. Use insulating blockwork to reduce the heat transfer to the external walls.

Take care when finishing the chimney breast and surrounding area. The conducted and convected heat emitted by the appliance could be high enough to crack normal plaster. Use a high temperature plaster or face the area with a suitable non-combustible board, avoiding any joints above the appliance. New plaster should be fully dried before the appliance is used, or cracking could occur. If you are in any doubt about your ability to produce a safe opening contact your Stovax dealer for professional advice.

FIRE SURROUND CLEARANCES

We recommend you obtain expert advice before proceeding with work of this nature.

Some finishes may discolour with heat and some lower quality products may distort, or crack, when in use.

If stone / granite / marble or any other natural material is used to construct the fire surround, or any part of it, provision should be made for expansion and movement of the parts due to heating and cooling.

If you are in any doubt about the installation requirements, or suitability of fire surrounds contact your Stovax dealer.

All fire surrounds should be suitable for use with solid fuel heating products.

EXTRACTION FAN

If there is an extraction fan fitted in adjacent rooms where this appliance is fitted, additional air vents may be required to alleviate the possibility of spillage of products of combustion from the appliance/flue while the fan is in operation. Refer to BS 8303 Part 1.

Where such an installation exists, a test for spillage should be made with the fan or fans and other appliances using air in operation at full rate, (i.e. extraction fans, tumble dryers) with all external doors and windows closed. If spillage occurs following the above operation, an additional air vent of sufficient size to prevent this occurrence should be installed.

EXTERNAL DUCTED AIR

An optional outside air kit, which will allow for the air supply for the stove to be ducted from outside, is available to order for connection to the stove.

APPLIANCE	PART NO.
Athos 5	928-235
Olympus 5	928-235
Athos 5 Wide	928-244
Olympus 5 Wide	928-244

It is recommended to bring the air supply for the stove into the house directly from outside. Where the pipe meets the outside wall make sure a vent cover is fitted properly to ensure no rodents can enter via the vent pipe.

The vent pipe should be located to prevent the ingress of moisture and in a location where it will not get blocked with leaves or any other debris. As wind effects can create suction and pressure zones of opposite sides of the dwelling it is recommended to run the air vent from opposite poles (North, South, East and West) of the dwelling and tee off for the air supply to the stove. This should negate the effect of suction and pressure zones.

HETAS product approval covers this appliance when installed in accordance with the manufacturer's instructions and relevant standards. As there is currently no standard for Ducted Combustion Air Supply this does not fall within the remit for HETAS product approval. Responsibility for the specification of this and for appropriate manufacturer's instructions is carried by the appliance manufacturer, as allowed for under the Building Regulations.



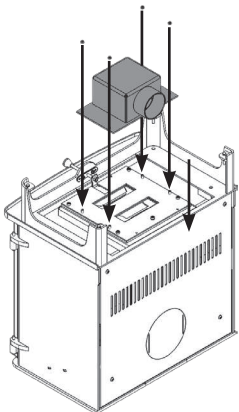
NOTE: IF YOU REQUIRE THE FLEXIBLE AIR PIPE AND OUTSIDE WALL VENT THIS NEEDS TO BE ORDERED SEPARATELY FROM YOUR INSTALLER.

APPLIANCE	PART NO.
Air Pipe	998-080

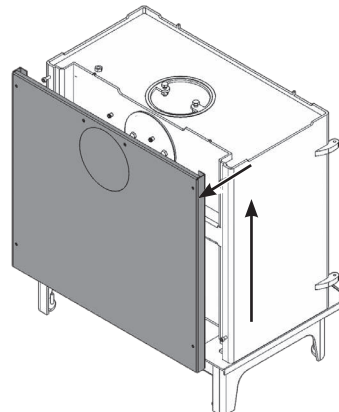
FITTING THE EXTERNAL AIR KIT TO THE STOVE

ATHOS 5 / OLYMPUS 5

Check for the correct orientation for the external air box, with the air inlet tube to the rear.
Lower the box on to the base of the stove and fix with the 4 x screws.
Ensure the seal underneath the external air box is intact and fully sealing.



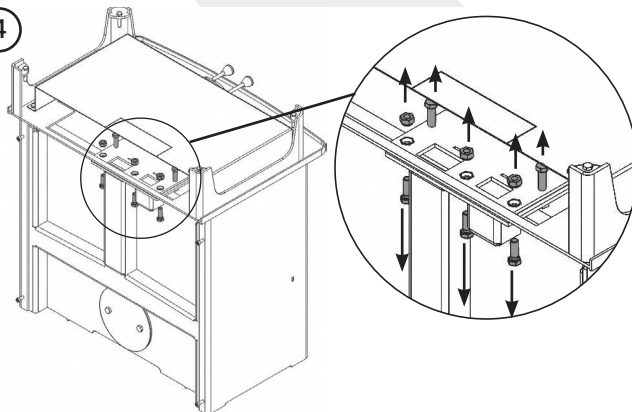
3



Loosen the four M5 x 16mm bolts then lift the rear heat shield panel up and off.

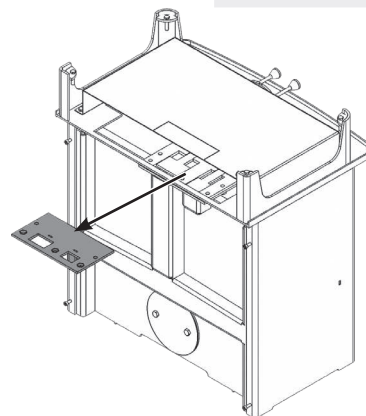
Turn stove upside down.

4



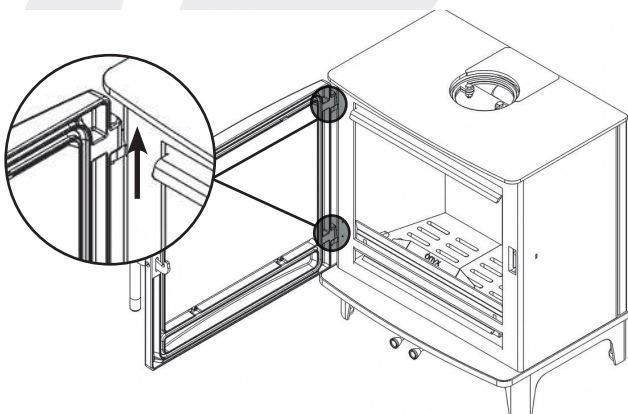
Remove the two bolts furthest away and then the three closest, under the cover.

5



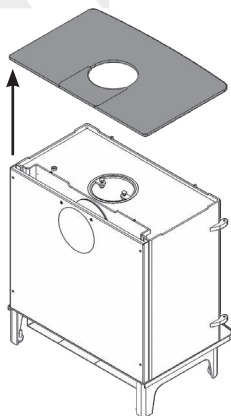
ATHOS 5 WIDE / OLYMPUS 5 WIDE

1

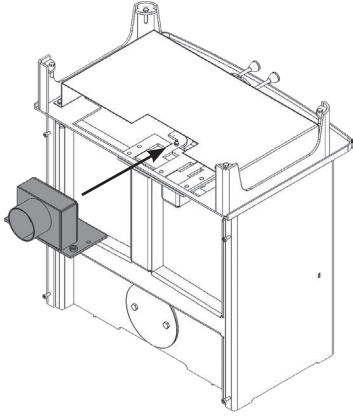


Lift the door so that the pins come out of the hinges.
Remove the door.

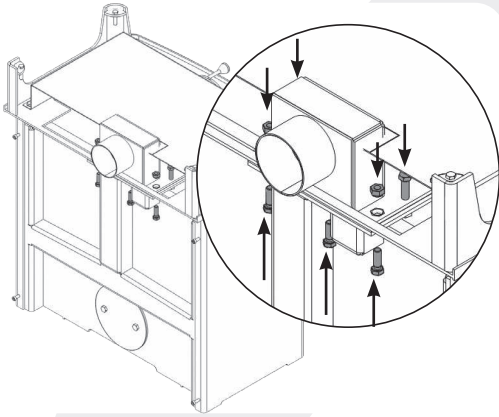
2



6



7



Replace the bolts and return the stove to its feet.

Refit the rear heat shield, door and top plate, in that order.

SERVICING

For a complete list of spare parts and accessories contact your Onyx retailer, visit www.onyxfires.com or call 01392 474011.

Before the start of the heating season strip, inspect and clean the appliance as detailed:

- Allow appliance to cool.
- Remove all internal parts: baffle, log guard, cast bases and firebricks.
Take care handling firebricks as they can become fragile after a period of use.
- Sweep the appliance at this point if necessary.
- Vacuum clean any remaining ash and debris from the inside of the appliance.
- Check the parts for any damage. Replace any damaged parts using genuine Stovax replacements parts.
- Check and clean the firebricks with a soft brush.

Some surface damage will occur during use. The life of the bricks will depend on the type of fuels burnt and the level of use.

Replace damaged bricks as soon as possible.

- Re-fit cleaned internal parts.
- **Use Glass Cleaner.**

Do not use abrasive cleaners to remove tar or soot deposits from the glass.

- Fit new door rope seal.
- Lightly oil the door catch mechanism and hinge pins. Avoid getting oil onto the door seals and glass.
- To refresh painted finishes a touch up spray is available. Contact your Stovax retailer quoting the serial number found on the appliance data badge.

Use genuine Stovax replacement parts to keep the appliance in safe, efficient working order. This is a list of the maintenance products that may need be required:

Products to assist in the cleaning and maintenance of your Athos or Olympus stove are available online at www.onyxfires.com or from your local Onyx dealer which, along with regular maintenance and use of correct fuels, will keep the appliance in the best possible condition.

Burn at a low temperature for the first day of use after any maintenance. This allows the seals, fixing glues and paint to fully cure.

During this time the appliance may give off some unpleasant odours.

Keep the room well ventilated to avoid a build-up of fumes.

Your Onyx dealer can carry out service and maintenance.

SERVICING AND SUPPORT



To keep your appliance looking and performing at its best, it must be serviced annually. This service must be undertaken by a suitably qualified individual and your retailer can organise this for you. Alternatively, Onyx offer a manufacturers premium service with our friendly team of qualified engineers which can be booked at www.onyxfires.com/support.

In all correspondence always quote the Model number and the Serial number which may be found on the Commissioning Checklist (Page 5).

TASK	PRODUCT NAME	NO.
Preventing build-up of creosote in flue	Protector (12 sachets)	7002-1
	Protector (1kg tub)	7025-1
Re-painting	Touch Up Paint (400ml aerosol)	2105-1
Protecting your hands	Heat resistant gloves	4008
Thermic seal glue	(50ml bottle)	5037-1
Cleaning Glass	Stovax Glass Cleaner	4103-1

HOW TO REMOVE THE FIRE BOARD SET

ATHOS 5 / OLYMPUS 5

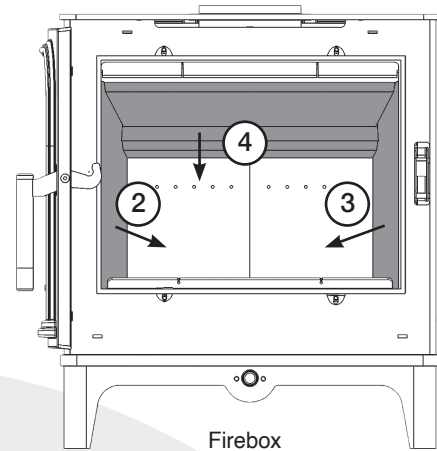
Firstly open the door and remove the log guard from the front of the firebox.

- 1: Lift out the two floor firebricks.
- 2: Remove the left hand side firebrick. Gently pull out from the top and pull forward from the front edge.
- 3: Remove the right hand side firebrick. Gently pull out from the top and pull forward from the front edge.
- 4: Remove the upper top baffle firebrick and the top shelf firebrick board. These boards will just lift out once the two side boards are removed.
- 5: The two rear boards can stay in place as they are glued in with high temperature silicon sealant. When these two boards are replaced, they will need to be resealed with the high temperature silicon.

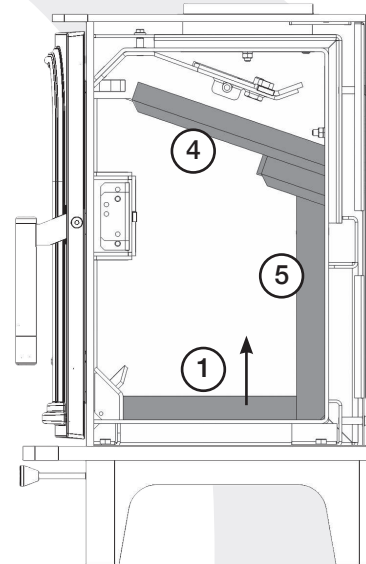
To replace the fireboards, repeat the above steps in reverse.



NOTE: SEE PAGE FOR HOW THE TOP BAFFLE IS REMOVED SO YOU CAN SWEEP THE FLUE THROUGH THE STOVE.



Firebox



Section of the firebox showing the inside view of the stove

This drawing is representation only – drawing not to scale

ATHOS 5 WIDE / OLYMPUS 5 WIDE

Firstly open the door and remove the log guard from the front of the firebox.

1 & 2: Lift up the front of the (1) bottom baffle (30mm thick fireboard) to allow the two side firebricks (2) to drop into the firebox and be removed (see Fig 12).

Angle the bottom baffle (1) up on the RHS to allow the LH edge of the baffle to drop into the firebox, allowing for its removal.

3. Top Baffle Fire Board: Lift the back of the top baffle fire board upwards out of the saddle it sits in, whilst pushing it back to allow the front edge to drop into the firebox (see Fig 13).

4. Top Baffle Fire Board: When refitting the Top Baffle Fire Board make sure this board is pulled tight to the front to seal the front of the board and it into the holder at the rear.

Replace the components in reverse order when cleaning is complete, ensuring that the long face of the top baffle is facing downwards when fitted.

5. Rear Fire Boards: To remove these 2 boards pull hard from the top of each board as they are held in place with heatproof silicon, which seal the tertiary air holes against the stove back plate. When refitting again reseal around all of the air holes to prevent air leakage between the rear fire board and back of the stove.

To replace the fireboards, repeat the above steps in reverse.

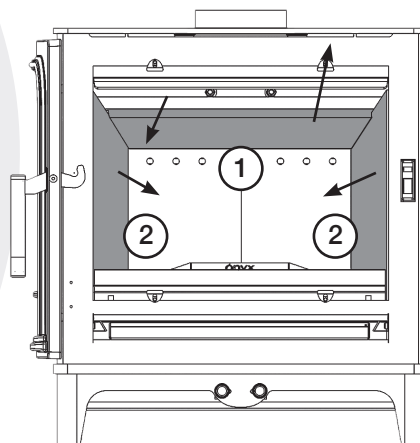


FIG. 12 — Firebox

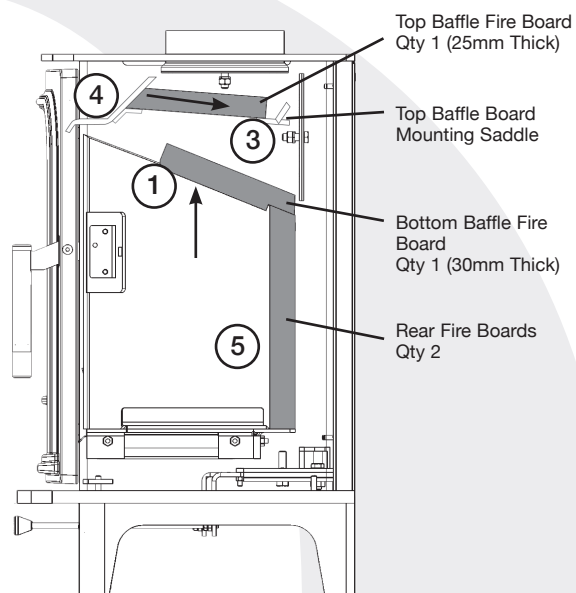


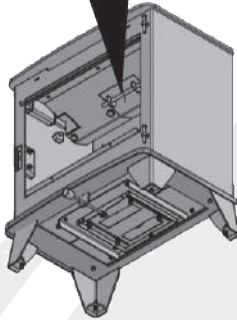
FIG. 13 — Section of the firebox showing the inside view of the stove

This drawing is representation only — drawing not to scale

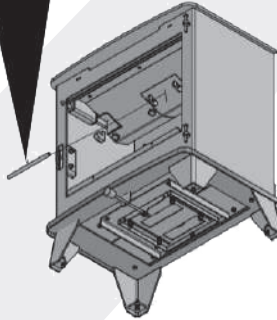
REMOVING THE FLUE CLEANING COVER PLATE INSIDE THE FIRE BOX

Firstly, remove all the fire boards, as detailed on page 36.

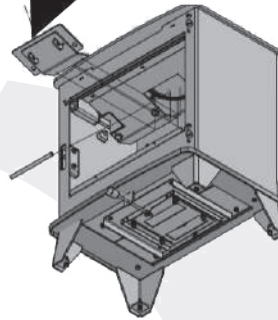
STEP 1 — TAP OUT THE RETAINING PIN WITH A SMALL HAMMER



STEP 2 — FULLY REMOVE THE RETAINING PIN FROM THE 2 BRACKETS



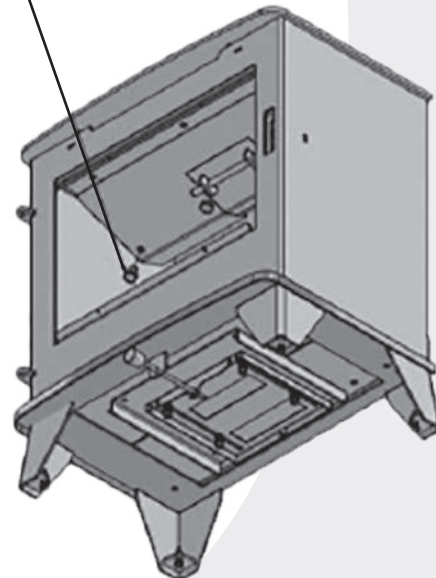
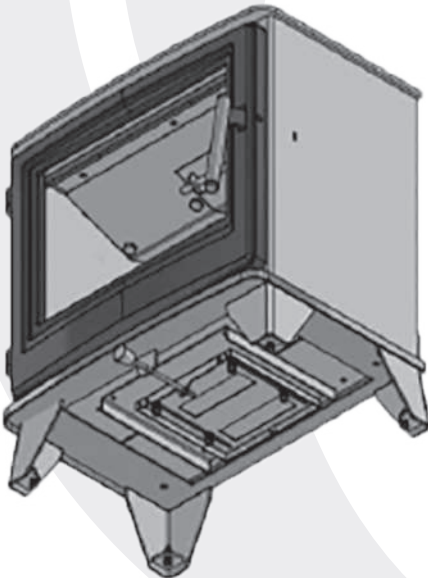
STEP 3 — LIFT AND TILT THE COVER PLATE TO REMOVE IT FROM THE FIREBOX. AS IT IS LOCATED ON 2 X PINS, ONE EITHER SIDE, ONCE REMOVED THE FLUE CAN NOW BE SWEEPED



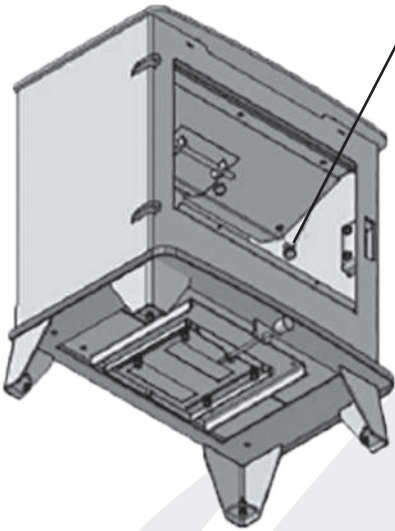
Once the flue has been swept, refit the parts in reverse order.

HOW TO REMOVE THE UPPER STEEL BAFFLE

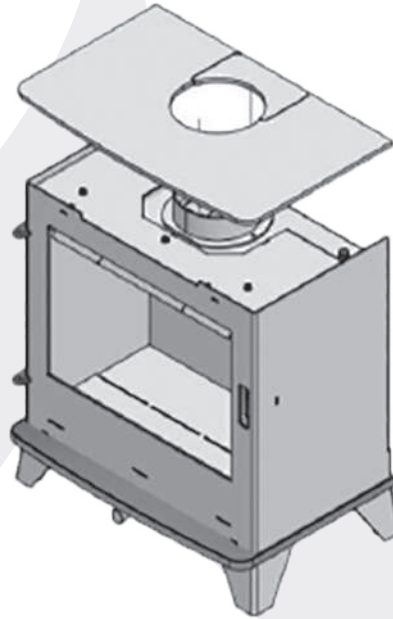
STEP 1 — REMOVE THIS M8 BOLT



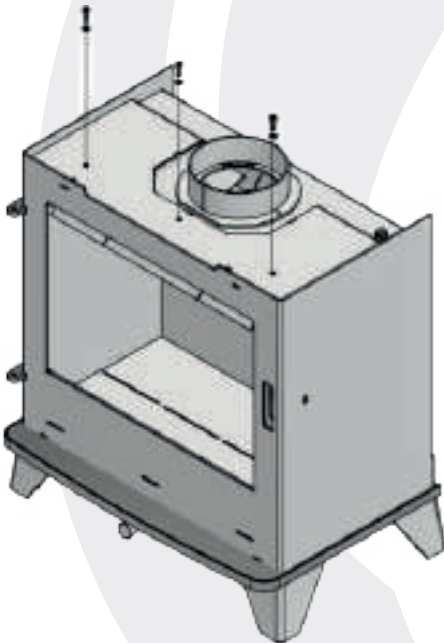
STEP 2 – REMOVE THIS M8 BOLT



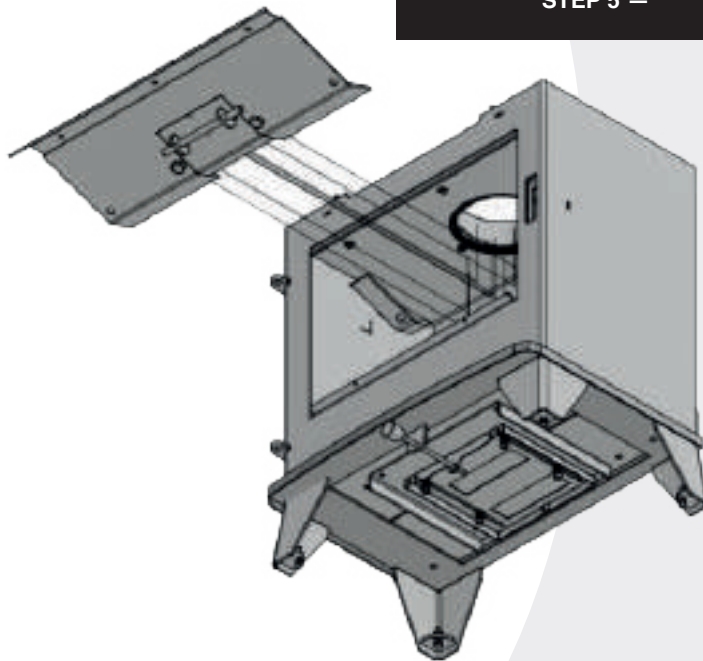
STEP 3 – REMOVE THE LID AND INFILL PANEL



STEP 4 – REMOVE THE 3 X M5 SCREWS & WASHERS



STEP 5 –



FIRE AND SMOKE SAFETY



PROPERLY INSTALLED, OPERATED AND MAINTAINED THIS STOVE WILL NOT EMIT FUMES INTO THE DWELLING.

Occasional fumes from the de-ashing and re-fuelling may occur. However, persistent fume emission is potentially dangerous and must not be tolerated. If fume emission does persist, then the following immediate action should be taken:

Open doors and windows to ventilate room.

Let the fire out or eject and safely dispose of fuel from the stove.

Check for flue or chimney blockage and clean if required.

Do not attempt to relight the fire until the cause of the fume emission has been identified and corrected. If necessary seek expert advice.

The most common cause of fume emission is flue way or chimney blockage. For your own safety these must be kept clean at all times.

FIRE SAFETY

To provide reasonable fire safety, the following should be given serious consideration.

1. Do not over-fire the stove.
2. Over-firing will also damage the painted finish.
3. Install a smoke detector in the room.
4. A conveniently located Class A fire extinguisher to contend with small fires resulting from burning embers.
5. A practical evacuation plan.
6. A plan to deal with a chimney fire as follows:-
 - (a) Notify the fire department.
 - (b) Prepare occupants for immediate evacuation.
 - (c) Close all openings into the stove.

While awaiting the fire department watch for ignition to adjacent combustibles from over-heated flue pipe or from embers or sparks from the chimney.



WARNING! WE RECOMMEND THE INSTALLATION OF A SMOKE DETECTOR IN THE ROOM THAT THE STOVE IS INSTALLED IN.

CARBON MONOXIDE CO ALARM

This is not supplied with your stove. You would purchase this separately,

The fitting of CO Alarms in the same room as the appliance is a compulsory requirement under current Building Regulations. For ROI an additional CO Alarm must be fitted either inside each bedroom or within 5 metres of the bedroom door (refer to Building Regulations Part J). Further guidance on the installation of a carbon monoxide alarm is available in BS EN 50292:2002 and from the alarm manufacturers instructions.

Provision of an alarm must not be considered a substitute for either installing the appliance correctly or ensuring regular servicing and maintenance of the appliance and chimney system.



WARNING! IF THE CO ALARM SOUNDS UNEXPECTEDLY OPEN DOORS and WINDOWS TO VENTILATE THE ROOM AND LEAVE THE PREMISES.

LET THE FIRE GO OUT.

10 YEAR WARRANTY

It's important to know what requirements need to be met in order to qualify for our 10 year warranty*, as well as being aware of exactly what it covers. This warranty only applies to our stoves.

If you have purchased your stove from an authorised stockist within our Premium Retailer Network then automatically your product will carry a 10 year warranty. The start date for the warranty period is the date of purchase. You do not need to register your stove for the warranty to apply, but you must retain your proof of purchase from the retailer which must have your name, address and the date of the purchase. Then from the serial number on your stove we can action your warranty.

You must have the stove serviced every 12 months and keep the service receipt for the warranty to be valid. Any product purchased outside of our Premium Retailer Network will carry a standard 12 month, non-extendable warranty.

It is a condition of the Warranty that the installation complies with relevant Building Regulations and the rules in force, and is carried out by a suitably trained and qualified individual HETAS registered in the United Kingdom (or equivalent in other countries) with a certificate of installation and the appropriate commissioning report completed and retained by the end-user.

It is also a condition of the Warranty that your Stove is regularly serviced (every 12 months) by a suitably trained and qualified individual, ideally HETAS registered in the United Kingdom (or equivalent in other countries). Records and receipts of annual services will be required in the event of a warranty claim during the period of the warranty.

This warranty is not transferable and solely for the benefit of the original purchaser of the stove. Please retain your dated sales receipt as a proof of purchase.

During your warranty period, only genuine spare parts must be used in the servicing and maintenance of your stove. These spare parts can be ordered via the Premium Retailer directly.

Consumable items such as glass, paint, grate parts, log retainers, ceramic fire boards (internal linings), and rope seals which are either subject to normal wear and tear or parts that require replacement in connection with normal maintenance are not covered by the Warranty. The Flue system is not covered by any warranty unless purchased from Onyx.

Should you experience problems with your stove, any claim must be submitted first to the Premium Retailer from where the stove was purchased. Your Premium Retailer will either be able to offer immediate assistance or make contact with Onyx on your behalf.

* The Extended Warranty for your Onyx Stove or Fireplace extends the standard two-year Warranty by a further eight years to a total Warranty period of 10 years.

EXCLUSIONS AND LIMITATIONS

No Warranty is extended to consumable service parts. Repair or replacement of parts which are subject to normal wear and tear during the warranty period or parts that will require replacement in connection with normal maintenance. Such parts include but are not limited to glass, paint, rope seals, grate parts, log retainers, and internal linings.

YOUR STOVE WARRANTY DOES NOT COVER:

- a) In normal usage the paint finish of your Stove may change colour slightly. As these circumstances are considered normal, they are not covered by the warranty. The stove paint must be cured as detailed in this manual.
- b) Enamelled components where these parts are subjected to abnormally high temperatures, chemical abrasion or thermal shocks, resulting in chipping, cracking, bubbling or discolouration and crazing of the enamelled finish.
- c) Damage resulting from installation and usage where the appliance has not been installed or used in accordance with this installation and operation instructions, or if the installation does not conform to local building, fire and safety regulations. This includes the entire flue system, whether purchased from Onyx or not.
- d) Defects or faults caused by specific local conditions such as draught problems, water damage, condensation and chimney defects.
- e) The Warranty does not cover damage caused by over-firing of the appliance (please see your Installation and Operating Instructions for further information).
- f) The entire flue system.
- g) Misuse of the stove including water/liquid/heat damage.
- h) Damage caused by unauthorised modifications, use or repair.
- i) Damage or defects caused by the product being stored in a damp, unheated environment.
- j) Consequential loss (to the extent permitted by law) relating to other associated products that have not been supplied by Onyx.
- k) Consequential loss (to the extent permitted by law) related to decorations, furnishings or other household assets.
- l) Delivery to/or return transport costs. Removal and re-installation costs, or any labour cost to fit parts.

Repaired or replaced products are covered only for the remainder of the original warranty period. If you should ever wish to make a warranty claim because of a product fault or defect, you must inform your retailer within a reasonable amount of time — this is within 14 days from the date on which the fault or defect first became apparent. If the product fault or defect is notified after 14 days from the date on which the fault or defect became apparent, Onyx cannot accept any liability for events or issues which arise after the 14 day period or which are caused or increased by the lack of notification which therefore prevented action being taken to restrict or eliminate any consequences arising from the fault or defect at an earlier date.

In the event of a product fault occurring during the warranty period, Onyx will send the appropriate component or goods necessary to rectify the fault, free of charge, but does not cover any labour cost to fit them.

Nothing in the Warranty shall make Onyx liable for any or special, incidental or consequential damages, injury to persons or property, or any other consequential loss beyond the consumer's statutory rights. The liability on these issues is covered by Onyx Terms and Conditions of Sale.

Onyx total liability extends only to the purchase price paid for the goods by the Premium Retailer.

The Onyx Warranty does not affect your statutory rights.

The above warranty terms and conditions came into effect on 1st January 2013 and are applicable for all relevant products purchased after this date.

i **NOTE: THIS WARRANTY IS APPLICABLE FOR PURCHASES WITHIN THE UNITED KINGDOM AND THE REPUBLIC OF IRELAND.**

APPROVED FUEL: ATHOS 5 / OLYMPUS 5

Wood is the only approved fuel to be used on this stove. This can be hardwood or softwood.

! **Do not burn construction timber, painted, impregnated / treated wood, manufactured board products or pallet wood. Burn only wood logs with a moisture content of less than 20% that is well seasoned and kiln dried.**

Do not use the following fuels on this stove: Any smokeless fuels. Petroleum coke and house coal are not suitable or use on this appliance.

If used, this will void your warranty. Use of petroleum coke, liquid fuels, house coal and unauthorised fuels will invalidate the guarantee and must not be used. These include Excel, Taybright and Brazieras. This will cause the stove to over-fire as well as damaging the internal components.

i **NOTE: STOVE INTERNALS ARE CONSUMABLES AND WILL WEAR OUT OVER TIME FROM USE, EVEN WHEN USING RECOMMENDED FUELS.**

Operating at temperatures in excess of 500°C will cause irreparable damage, which is not covered by the guarantee. Burning any "contaminated" or treated wood that may have been painted, varnished, oiled/stained or materials such as MDF or plywood that contain resins/glues should never be used as this will cause an over-fire situation resulting in damage to the glass and bricks, not to mention the toxic gases emitted into the atmosphere.

Also, never burn bituminous house coal, which is designed for open fires and not for use in stoves as this fuel is very volatile and gaseous, containing lots of sulphur which will permanently etch marks in the glass as well as potential damage to the bricks and baffles.

APPROVED FUEL: ATHOS 5 WIDE / OLYMPUS 5 WIDE

In addition to wood (see Approved Fuel: Athos 5 / Olympus 5), the wide version can also burn smokeless fuel.

! **WARNING! Multi-Fuel stoves should not have logs and briquettes burnt in the stove at the same time.**

Burn only anthracite or smokeless fuels suitable for use in closed appliances.

Only the following smokeless fuels may be used in this stove: Ancit, Anthracite Large Nuts, Centurion, Extracite, Homefire, Maxibrite and Phurnacite. Only smokeless fuels may be burnt in Smoke Control Areas.

Petroleum coke and house coal are not suitable for use on this appliance. If used, it will void your warranty. Use of petroleum coke, liquid fuels, house coal and unauthorised fuels will invalidate the guarantee and must not be used.

These include excel, taybright & brazieras. This will cause the stove to "over fire" as well as damaging the internal components.

Refer to the HETAS website for a full list of recommended fuels: www.hetas.co.uk/consumer/fuel-schemes/solid-mineral-fuel

i **NOTE: STOVE INTERNALS ARE CONSUMABLES AND WILL WEAR OUT OVER TIME FROM USE, EVEN WHEN USING RECOMMENDED FUELS.**

Operating at temperatures in excess of 500°C will cause irreparable damage which is not covered by the guarantee.

Burning any "contaminated" or treated wood which may have been painted, varnished, oiled/stained or materials such as MDF or plywood which contain resins/glues should never be used as this will cause an over-fire situation resulting in damage to the glass and bricks not to mention the toxic gases emitted into the atmosphere.

Also, never burn bituminous house coal which is designed for open fires and not for use in stoves as this fuel is very volatile and gaseous containing lots of sulphur which will permanently etch marks in the glass as well as potential damage to the bricks, baffles and grate

LEGAL REQUIREMENTS

Before installation and/or use of this appliance please read these instructions carefully to ensure that all requirements are fully understood.

The appliance must be fitted by a registered installer, or approved by your local building control officer.

It is very important to understand the requirements of the national Building Regulations and standards, along with any local regulations and working practices that may apply. Should any conflict occur between these instructions and these regulations then the regulations must apply.

Your local Building Control Office can advise regarding the requirements of the regulations.

Works must be carried out with care to meet the requirements of Health and Safety and comply with the Health and Safety rules, and any new regulations introduced during the lifetime of these instructions. Particular attention should be drawn to:

- **Handling:** The appliance is heavy. Adequate facilities must be available for loading, unloading and on site handling.
- **Fire Cement:** Some fire cement is caustic and must not come into contact with the skin. Protective gloves must be worn. Wash hands thoroughly with plenty of water after contact with skin.
- **Asbestos:** This appliance contains no asbestos. If there is the possibility of disturbing any asbestos in the course of installation seek specialist guidance and use appropriate equipment.
- **Metal Parts:** Take care when installing or servicing the stove to avoid personal injury.

A faulty installation can cause danger to the inhabitants and structure of the building.

For users of this appliance:

Your building insurance company may require you to inform them that a new heating appliance has been installed on your property. Check that your cover is still valid after installing the appliance.

FLUE OR CHIMNEY

The flue or chimney system must be in good condition. It must be inspected by a competent person and passed for use with the appliance before installation.

Products of combustion entering the room can cause serious health risks.

The following must be checked:

- The construction of the masonry chimneys, flue block chimneys and connecting flue pipe system must meet the requirements of the Building Regulations.
- If it is necessary to fit a register plate it must conform to the Building Regulations.
- The minimum height of the flue or chimney must be 4.6m from the hearth to the top of the flue, with no horizontal sections and a maximum of 4 bends. Bends must have angles of less than 45 degrees from the vertical.
- There should be at least 600mm of vertical flue pipe above the appliance before any bends are introduced.
- Ensure the connecting flue pipe is kept a suitable distance from any combustible material and does not form part of the supporting structure of the building.
- The installer must ensure the flue pipe diameter is not less than the diameter of the outlet of the appliance and does not narrow to less than the size of the outlet at any point in the system.
- Make provision to remove the appliance without the need to dismantle the chimney.

- Any existing flue must be confirmed as suitable for the new intended use as defined in the Building Regulations.
- The flue or chimney system must be inspected and swept to confirm the system is structurally sound and free from obstructions.
- If the chimney is believed to have previously served an open fire it must be swept a second time within a month of regular use after installation to clear any soot falls that may have occurred due to difference in combustion levels.
- The flue exit from the building must comply with local building control rules.
- Chimney heights and/or separations may need to be increased in particular cases where wind exposure, surrounding tall buildings, high trees or high ground could have adverse effects on flue draught.
- Do not connect or share the flue or chimney system with another heating appliance.

Do not connect to systems containing large voids or spaces over 230mm square.

Suitable access must be provided to enable the collection and removal of debris.

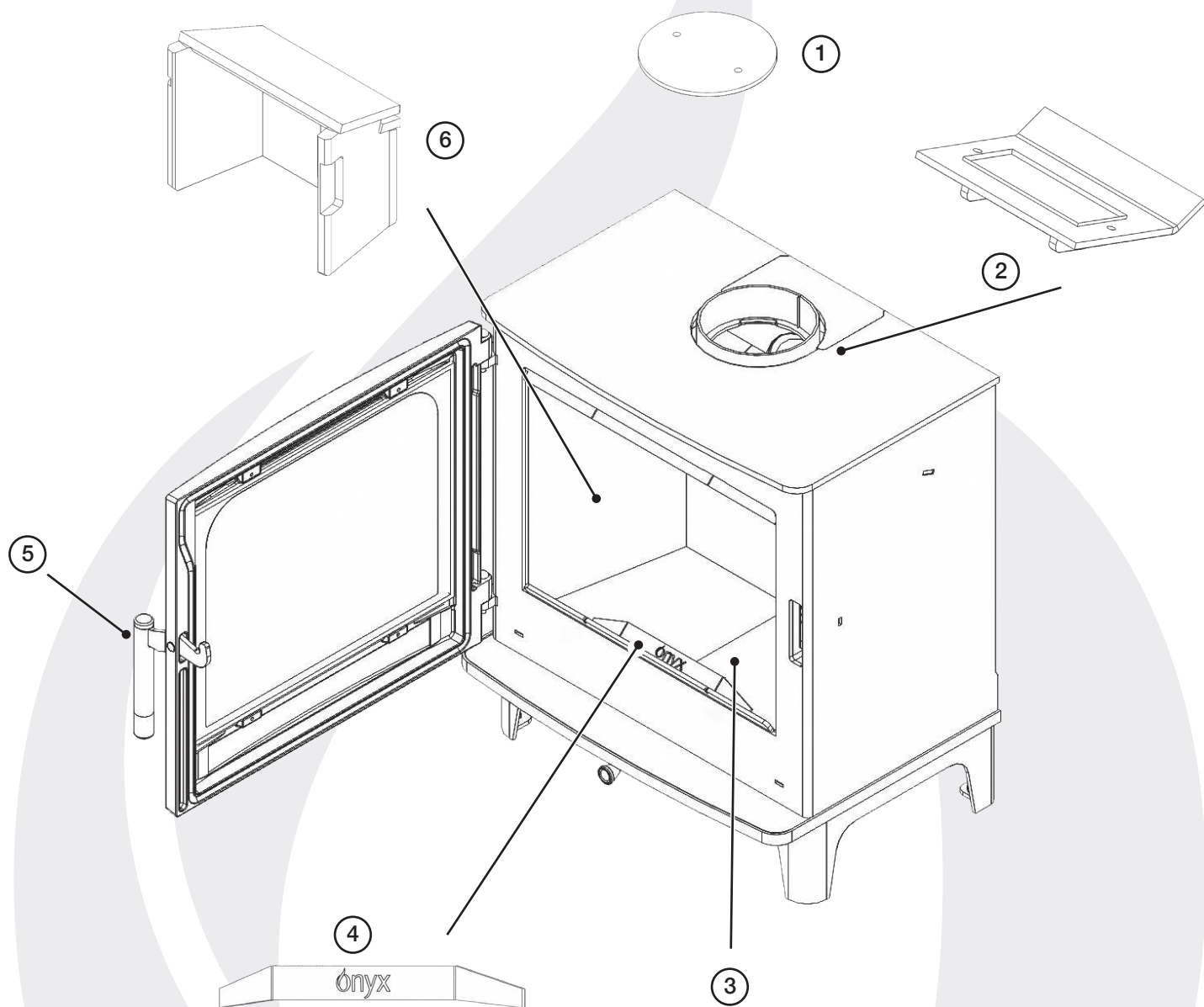
The flue must be swept and inspected when the appliance is installed.

FLUE DRAUGHT

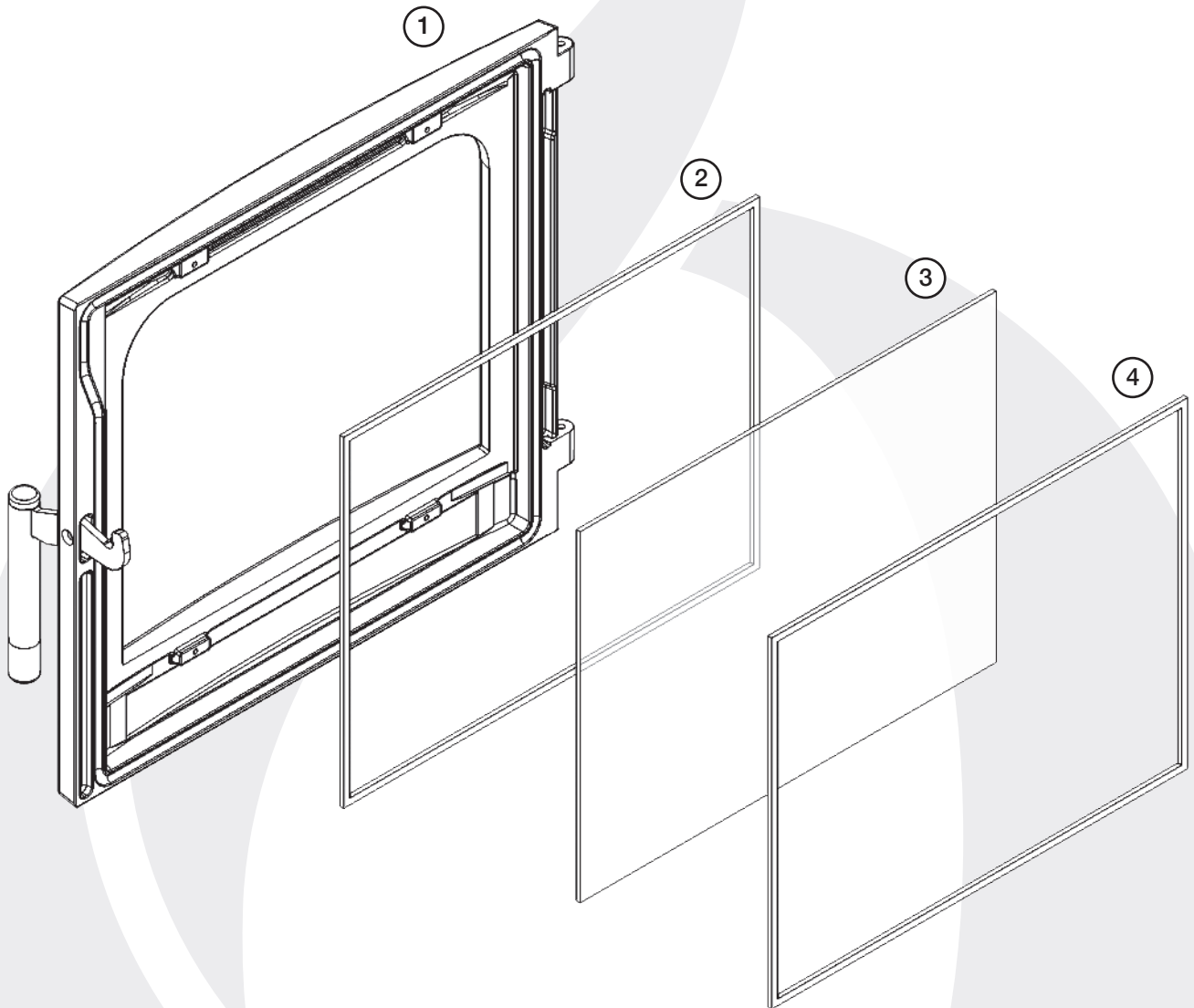
The flue draught must be checked with all windows and doors closed and any extraction fans in this, or adjoining rooms, running at maximum speed (see Installation Checklist for ventilation requirements).

TWIN WALL FLUE SYSTEM

If this appliance is to be used in conjunction with a twin wall flue system then Stovax recommend the use of their Professional XQ range. Details of this product are available from your Stovax retailer.

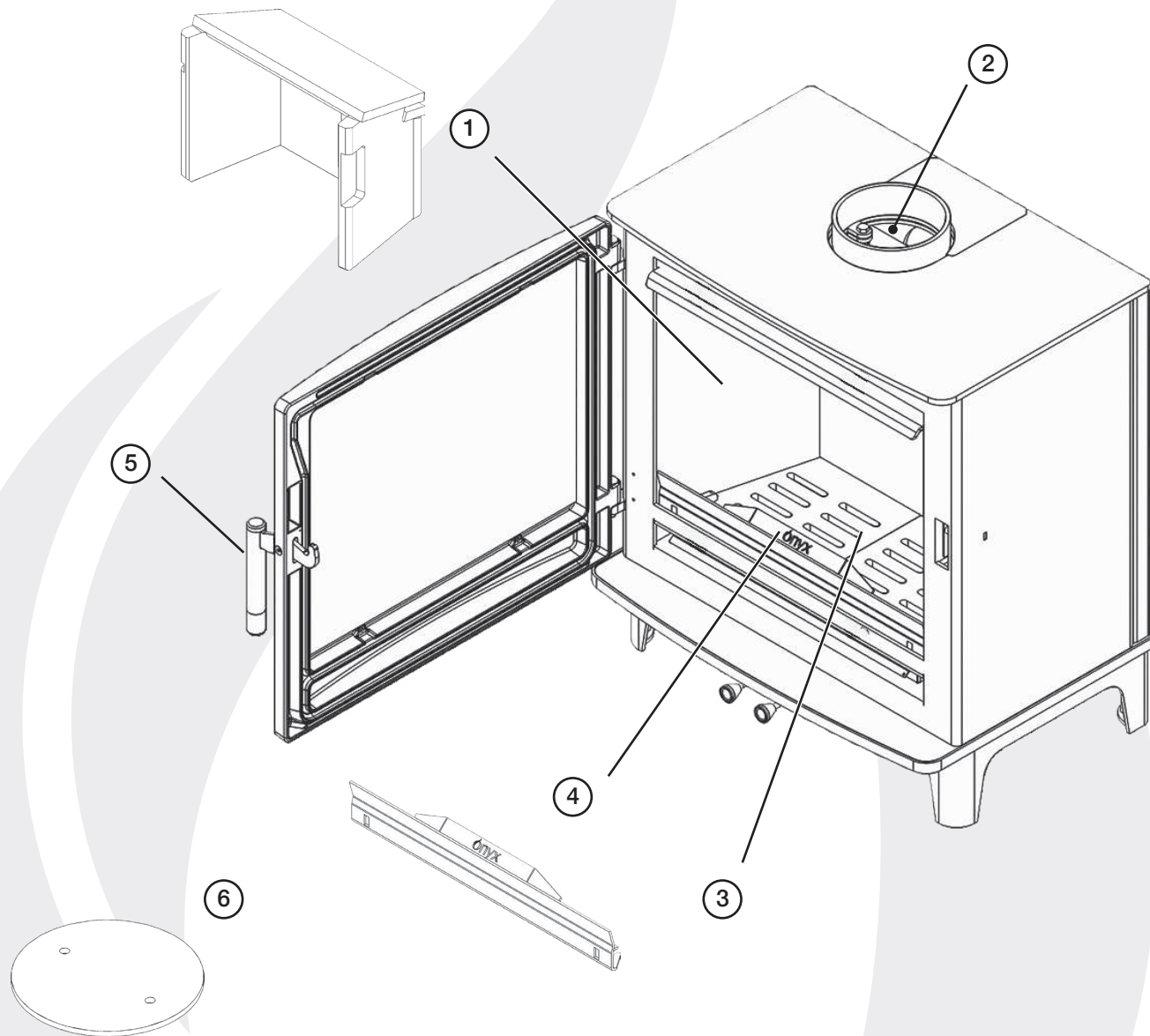


REF	PART	Athos 5	Olympus 5
1	Top outer blanking plate	GZ19365	GZ19365
2	Baffle inspection plate	GZ19357	GZ19357
3	Grate bricks	CE2234	CE2234
4	Log guard	GZ19356	GZ19356
5	Handle assembly	GZ19355	GZ19355
6	Brick Set	CE2332	CE2332
7	Black silicone adhesive (for brick set and air control)	FA0918	FA0918

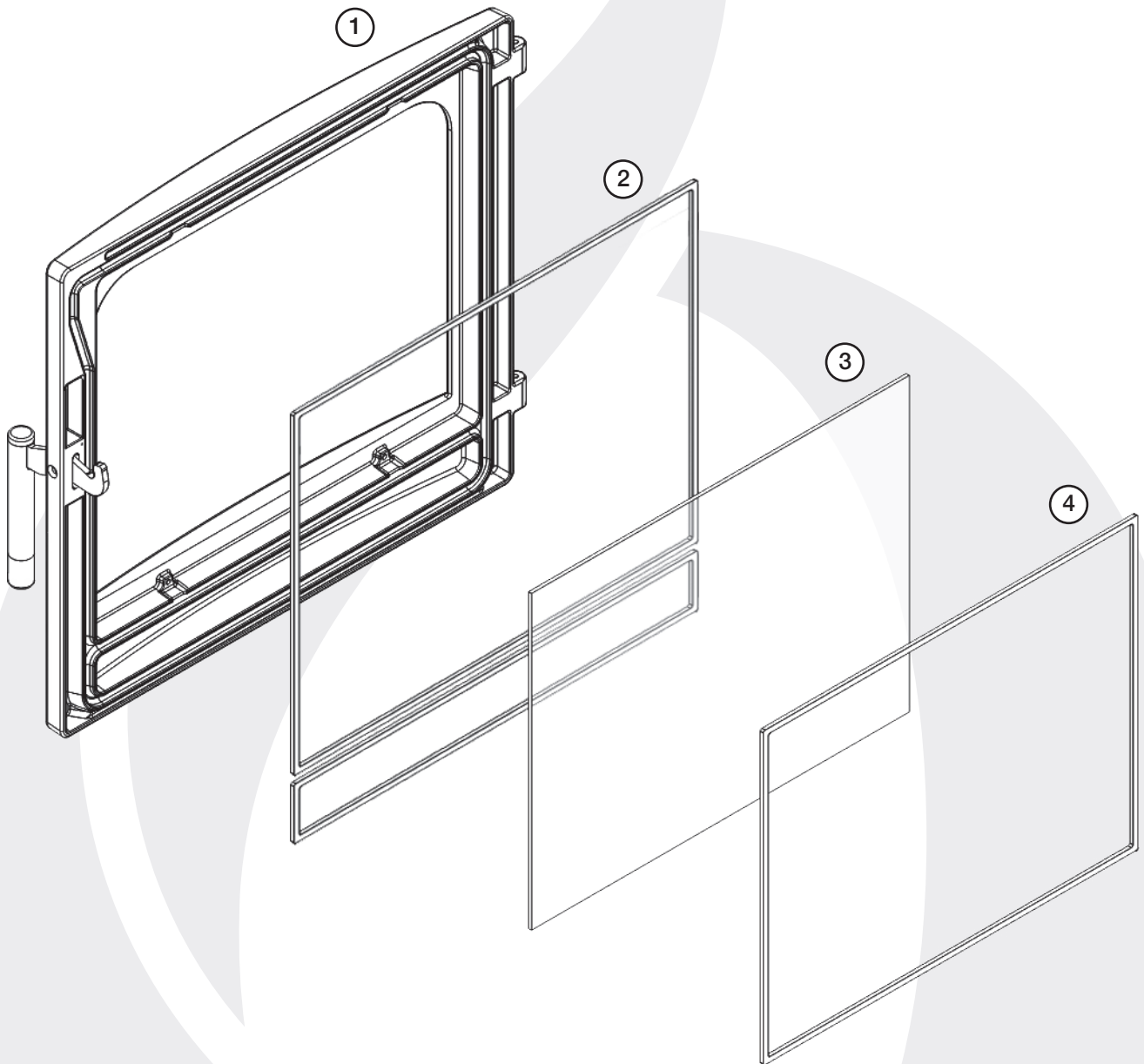


REF	PART	Athos 5	Olympus 5
1	Door assembly	GZ19354	GZ19362
2	13mm x Door rope 2m	5700	5700
3	Door glass	CE2333	CE2333
4	10mm flat rope 2m	4951	4951

PARTS: ATHOS 5 WIDE / OLYMPUS 5 WIDE



REF	PART	Athos 5 Wide	Olympus 5 Wide
1	Brick Set	CE2335	CE2335
2	Baffle inspection plate	GZ19360	GZ19360
3	Steel grate	GZ19361	GZ19361
4	Log guard	GZ19359	GZ19359
5	Handle assembly	GZ19355	GZ19355
6	Top outer blanking plate	GZ19365	ZG19365
7	Black silicone adhesive (for brick set and air control)	FA0918	FA0918



REF	PART	Athos 5 Wide	Olympus 5 Wide
1	Door assembly	GZ19358	GZ19363
2	13mm x Door rope 2m	5702	5702
3	Door glass	CE2336	CE2336
4	10mm Flat rope 2m	4951	4951

PRODUCT FICHE - INFORMATION REQUIREMENT FOR WOOD LOCAL SPACE HEATER

Model		Athos 5	Olympus 5	Athos 5 Wide	Olympus 5 Wide
Energy Efficiency Class		A+	A+	A	A
Direct Heat Output (kW)	Wood	4.8kW	4.8kW	5.0kW	5.0kW
	MF	-	-	4.9kW	4.9kW
Indirect Output (kW)	Wood	n/a	n/a	n/a	n/a
	MF	-	-	n/a	n/a
Energy Efficiency Index (EEI)		112	112	103	103
Useful Energy Efficiency at Nominal Heat Output	Wood	82.0%	82.0%	77.6%	77.6%
	MF	-	-	79.5%	79.5%
Safety Precautions		Appliance must be installed, used and maintained in accordance with the manufacturer's instructions supplied			

PRODUCT MATERIAL INFORMATION

The following substances, preparations or components should be disposed of or recovered separately from other WEEE in compliance with Article 4 of EU Council Directive 75/442/EEC.

Metal	Steel	Can be taken to a local recycling centre for reuse to reduce waste going to landfill.
	Cast iron	
Glass		Can be taken to a local recycling centre for reuse to reduce waste going to landfill.
Vermiculite linings		Non hazardous material. Vermiculite can be crushed up and used for plant bedding and ash used for composting or disposed of at a local recycling centre for reuse to reduce waste going to landfill.
Rope seals		Rope seals are made from Refractory Ceramic Fibre (RCF), a material which is commonly used for this application. Protective clothing is not required when handling these articles, but it is recommended to follow normal hygiene rules of not smoking, eating or drinking in the work area and always wash hands before eating or drinking. When servicing the appliance it is recommended that the replaced items are not broken up, but are sealed within heavy duty polythene bags and labelled as RCF waste. RCF waste is classed as stable, non-reactive hazardous waste and may be disposed of at a licensed landfill site.
Electrical components	(Fan kits, etc. if applicable)	Dispose of at a local recycling centre in accordance with the WEEE directive.



FOR ENQUIRIES IN THE U.K. (EXCLUDING NI):

Stovax Gazco Ltd, Spitfire Avenue, Skypark, Clyst Honiton, Exeter, Devon, England EX5

2FR Tel: (01392) 261900 E-mail: info@onyxfires.com

FOR ENQUIRIES IN EUROPE (INCLUDING NI):

Stovax Heating Group (NI) Ltd (Comp reg NI675194), 40 Linenhall Street, Belfast, BT2 8BA

DX 400 NR Belfast Tel: +44 (0)1392 261990 E-mail: northernireland@onyxfires.com

onyx



PR3398