

FOR INSTALLATION ENGINEERS



installation instructions [en]  
Stûv 16-in

10-2011 – SN 97851 > ...

*This Stûv stove has been designed to offer you maximum comfort and safety. It has been manufactured with the greatest of care. If however you should find the slightest dissatisfaction with it, please contact your supplier.*

*We recommend that you read these instructions prior to installation.*

*Some configurations might have an impact on the sequence of operations to be performed.*

## Contents

<b>PRESENTATION OF THE PRODUCT</b>	<b>4</b>
Standards, certification and technical characteristics	4
Dimensions	5
Recommandations	6
Overview	6
<b>PREPARATION OF THE AREA</b>	<b>7</b>
Air inlets – the various configurations	7
Combustion air inlet	8
Smoke flue	10
Holding capacity of the structure	11
The stove's surroundings and decoration	11
Circulation of convection air	13
Insulating the fireplace: pros & cons	14
Tools	14
<b>INSTALLATION</b>	<b>15</b>
On taking delivery of the equipment	15
Unpacking	15
Preparation of the ducts	16
The base plate	17
Assembly of the plate on the brickwork	17
Assembly of the plate on the ventilation chamber	18
Assembly of the plate on the ventilation chamber	19
Combustion air connection	21
Fan kit	22
Assembly of the fan on the base plate	22
Electrical connections	22
Closing the fan's cover	24
Preparation of the hot air outlet	25
Connection to the smoke flue	26
Positioning of the stove	26
Connection of flue from inside the stove	27
Assembly of the thermal switch	29

## Contents (continuation)

Assembling the frame	30
Front hot air vent	30
Refitting the door	31
Graduated tablet	31
Construction of cladding	32
When the installation of the stove is complete...	32
<b>ACCEPTANCE OF WORKS</b>	<b>33</b>
<b>CONTACTS</b>	<b>35</b>

## PRESENTATION OF THE PRODUCT

### Standards, certification and technical characteristics

The Stûv 16-in stoves (for intermittent operation) comply with the requirements of EN European Standards in terms of efficiency, gas emissions, safety etc....

Data provided in this notice are supplied by a certified laboratory.



### Test results according to EN 13229: 2001 and 13229-A2: 2004 standards (built-in stoves)



**Stûv sa**  
**B-5170 Bois-de-Villers (Belgium)**

10 QA 101322906  
EN 13229: 2001 / A2: 2004

Wood insert **Stûv 16/58-in**

Minimum insulation thickness with regard to potentially combustible materials (conductibility of the insulating material used at 400°C = 0,11 W/mK):

- behind: 5 cm
- on the sides: 5 cm
- below: 0 cm
- above: 10 cm

Recommended fuel: wood logs only

CO emissions: < 0.09%

Average smoke temperature at rated power: 283°C

Nominal heat power: 8 kW

Efficiency: 80%

Particle emissions: 73 mg/Nm<sup>3</sup>

Please read the installation instructions and directions for use!



**Stûv sa**  
**B-5170 Bois-de-Villers (Belgium)**

10 QA 101322906  
EN 13229: 2001 / A2: 2004

Wood insert **Stûv 16/68-in**

Minimum insulation thickness with regard to potentially combustible materials (conductibility of the insulating material used at 400°C = 0,11 W/mK):

- behind: 5 cm
- on the sides: 5 cm
- below: 0 cm
- above: 10 cm

Recommended fuel: wood logs only

CO emissions: < 0.09%

Average smoke temperature at rated power: 330°C

Nominal heat power: 9 kW

Efficiency: 77%

Particle emissions: 72 mg/Nm<sup>3</sup>

Please read the installation instructions and directions for use!



**Stûv sa**  
**B-5170 Bois-de-Villers (Belgium)**

10 QA 101322906  
EN 13229: 2001 / A2: 2004

Wood insert **Stûv 16/78-in**

Minimum insulation thickness with regard to potentially combustible materials (conductibility of the insulating material used at 400°C = 0,11 W/mK):

- behind: 5 cm
- on the sides: 5 cm
- below: 0 cm
- above: 10 cm

Recommended fuel: wood logs only

CO emissions: < 0.09%

Average smoke temperature at rated power: 378°C

Nominal heat power: 10 kW

Efficiency: 75%

Particle emissions: 70 mg/Nm<sup>3</sup>

Please read the installation instructions and directions for use!

Other technical characteristics

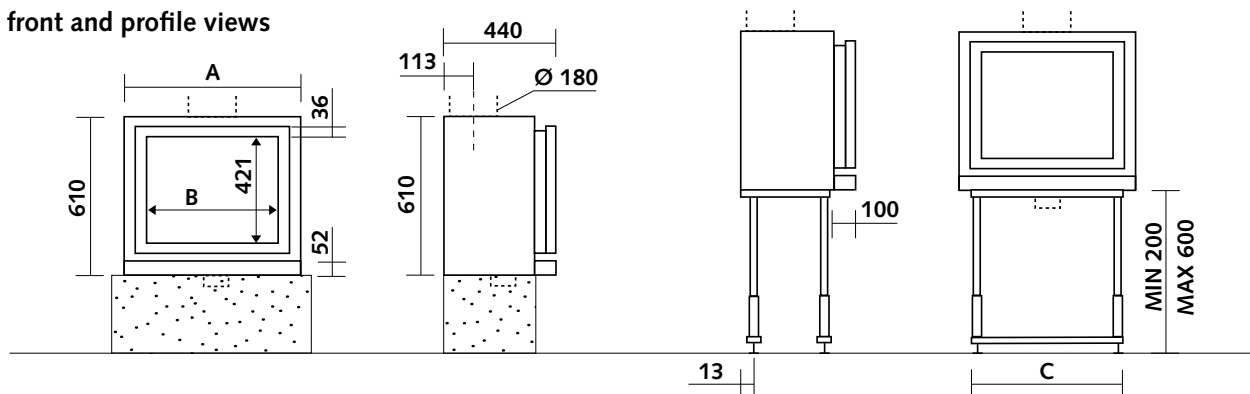
	Stûv 16/58-in	Stûv 16/68-in	Stûv 16/78-in
Minimum draught needed to obtain the rated calorific output	12 Pa	12 Pa	12 Pa
Weight-flow ratio of smokes	5.7 g/s	6.6 g/s	7.4 g/s
Average smoke temperature at rated power	260°C	315°C	360°C
Minimum diameter of the duct for the intake of outside combustion air	63 mm	63 mm	63 mm
Optimum output range for usage	6–9 kW	7–11 kW	8–12 kW
Range of wood consumption per hour recommended (at 12% humidity)	1.7–2.5 kg	2.1–3.3 kg	2.4–3.6 kg
Maximum limit for consumption of wood per hour (to avoid overheating the system)	3.4 kg/h	4.1 kg/h	4.6 kg/h
Maximum length of logs in horizontal position	40 cm	50 cm	60 cm
System mass	91 kg	102 kg	112 kg

Dimensions

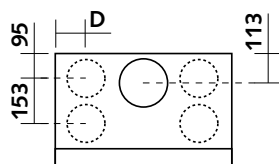
view from below



front and profile views



view from above



	A	B	C	D
Stûv 16/58-in	580 mm	448 mm	570 mm	105 mm
Stûv 16/68-in	680 mm	548 mm	670 mm	130 mm
Stûv 16/78-in	780 mm	648 mm	770 mm	130 mm

## Recommandations

We strongly recommend you entrust the installation of this Stûv to a qualified professional who is able to ensure that the characteristics of the smoke flue correspond to the stove installed.

The installation of the stove, its accessories and surrounding materials must adhere to all regulations (local and national) and all standards (national and European).

Some national and local regulations require the installation of an access flap in the connection between the stove and the smoke flue.

The stove has to be installed in such a way as to facilitate access to sweep the stove, the connection duct and the smoke flue.

Any modification made to the system may be dangerous and will invalidate the guarantee.

## Overview

### Included with the stove (basic)

- [1] Ø 180 mm flange for stainless steel tubing
- [2] fireplace
- [3] support plate
- [4] cable outlet

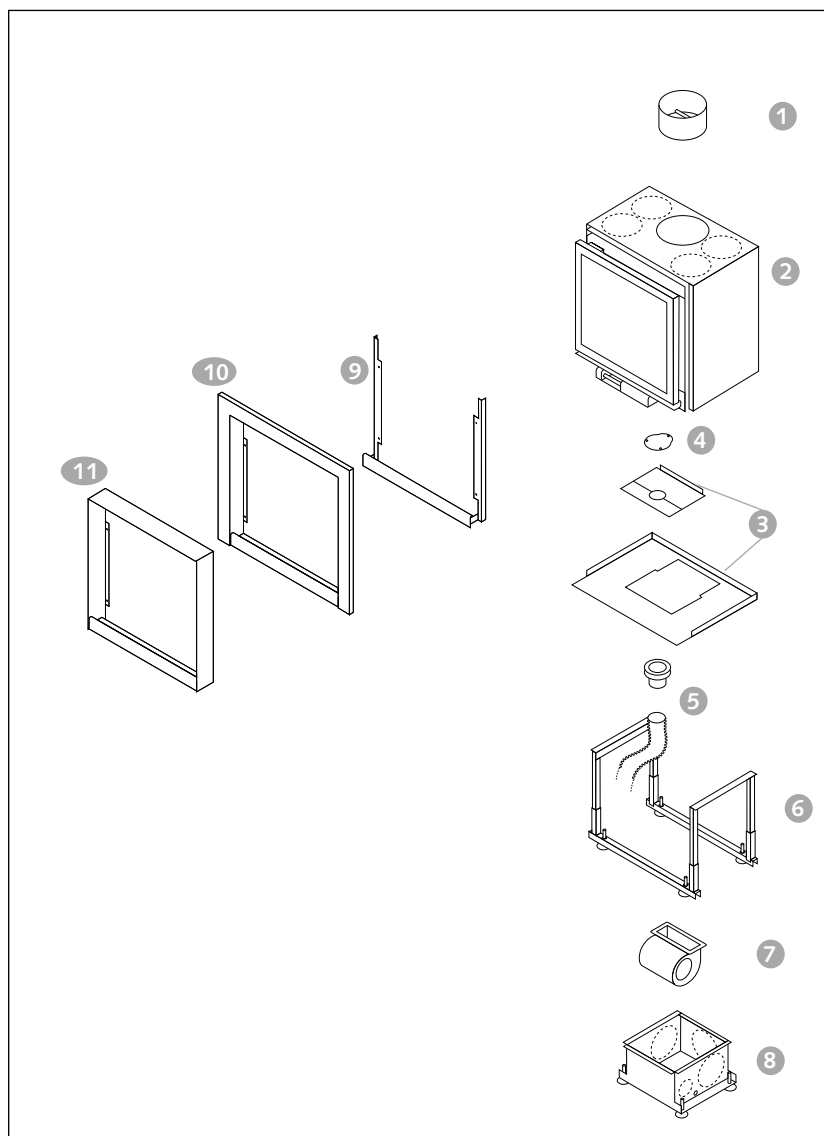
### Option

- [5] Outside air intake kit: Flue outlet + Ø 63 mm flexible tubing (3 m)
- [6] adjustable support table

- [7] fan
- [8] ventilation chamber

### Finishing frame (choice)

- [9] finishing iron corner (frame to customise)
- [10] fitted frame
- [11] thin frame



## PREPARATION OF THE AREA

### Air inlets – the various configurations

The combustion air is drawn from outside (ideally) or from the room to be heated.

Convection is natural (no fan) or forced (fan).

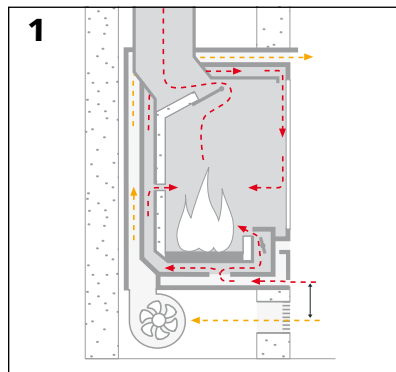
There are four possible configurations.

#### Configuration 1

The stove is equipped with a fan.

The combustion air is drawn from the room where the stove is installed.

Please note: The fan must not disturb the air inlet for combustion.



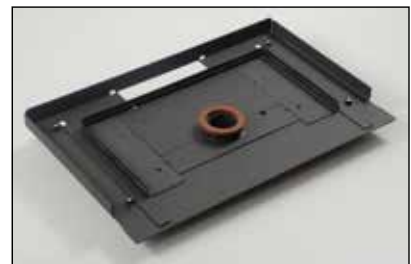
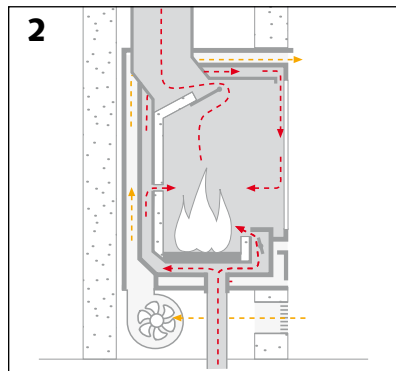
View of the base plate corresponding to each configuration; this is also covered in the "installation" section.



#### Configuration 2

The stove is equipped with a fan.

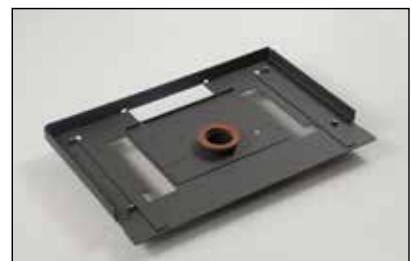
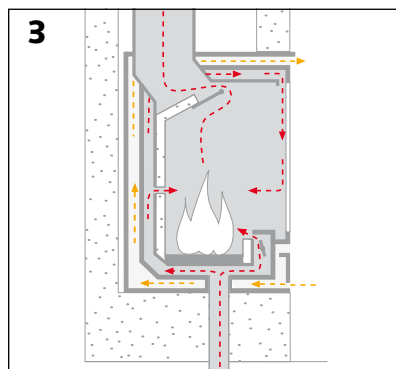
The combustion air is drawn directly from outside the building.



#### Configuration 3

Stove without a fan.

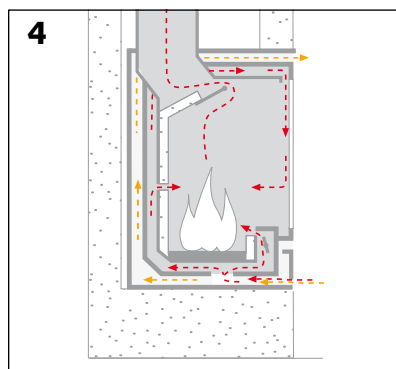
The combustion air is drawn directly from outside the building.



#### Configuration 4

Stove without a fan.

The combustion air is drawn from the room where the stove is installed.



The stove requires air for combustion.

### Drawing of air from outside

The Stûv 16-in is designed to be directly connected to an outside air inlet (independent of the air in the house). This configuration - which we recommend - guarantees good operation regardless of the degree of air-tightness in the building or the pressure variations in the house due to a kitchen hood or controlled mechanical ventilation, for example.

This air inlet comes from a ventilated empty space, a ventilated room (cellar) or from outside (mandatory regulation in some countries).

The duct carrying this air...

... will be protected on the outside by a grill [diagram 1] the free passage section of which is at least equivalent to the section of the air inlet:  $\varnothing 63$  mm. Please note that the infiltration of water and the effect of the wind can damage the system.

... will be as short as possible to prevent pressure loss and to prevent making the house cold.

With our flexible standard duct ( $\varnothing 6.3$  cm), we recommend a maximum length of 2 m and no more than 4 bends. If you exceed these guidelines, you must compensate with a greater diameter and/or a smoother duct.

Careful not to crush the flue.

### Drawing of air from the room

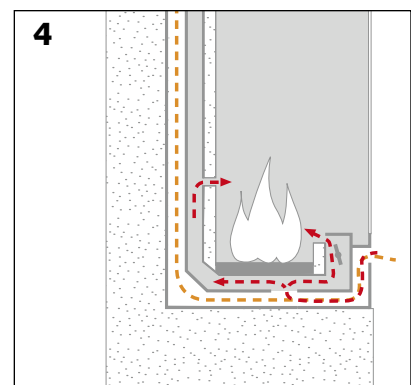
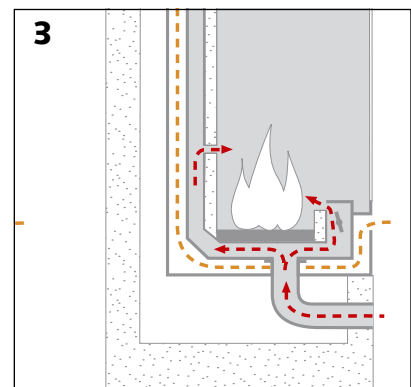
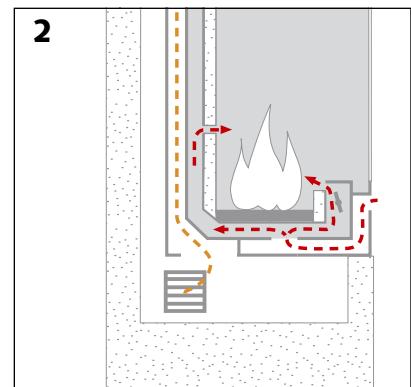
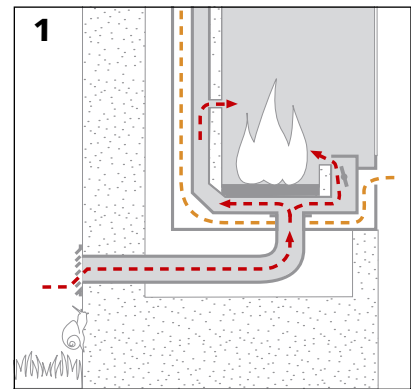
If the stove is not connected directly to an outside air inlet, a sufficient air inlet (approximately  $50 \text{ cm}^2$ ) should ideally be created close to the stove.

Air can be drawn from the room:

- via the inlet at the bottom of the front of the stove [diagram 2]
- via an air inlet from a space left under the stove [diagram 3]

Even though this configuration is not ideal, it is possible to draw both combustion and convection air from the base of the stove [diagram 4].

Ensure the configuration chosen fully meets local and national regulations.



### The internal/external valve

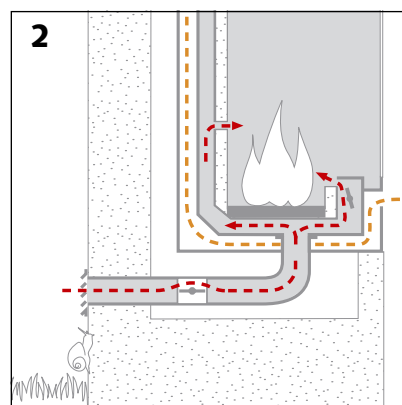
[picture 1 and diagram 2] prevents the house from becoming cold when the stove is not in use.

This device is optional if you choose a direct connection to the stove. However, it is indispensable if the lengths of the ducts to the stove are too great or installation is carried out in an energy-efficient home.

It should ideally be located as close as possible to the outside wall. It can be controlled from inside if it is not too far away from the stove (length of the flexible of the valve control = 1.2 m).

### Please note

Be careful with air extraction systems (kitchen hoods, air conditioning, mechanically-controlled ventilation, other stoves) in operation in the same space or in an adjacent room. They also use lots of air and can cause a depression in the room and prevent the stove from operating correctly (risk of draughtback). They can affect the operation of the stove even if it is connected to an outside air inlet.



## Smoke flue

Ensure the flue's dimensions, the gaps from combustible materials and glass etc. meet local regulations and the applicable installation standards in line with good practice.

### Basic information

For good draught, the stove must be suited to the flue (or vice versa).

An oversized flue is as detrimental to the smooth operation of the stove as an undersized flue.

At [www.stuv.com](http://www.stuv.com) you will find a simplified method for roughly calculating the flue characteristics based on the type of stove. Consult a professional for a more accurate calculation.

The flue should be as straight as possible and insulated to encourage the draught and prevent condensation.

The ideal solution is a flue built inside the building and thermally insulated. An outside flue without any insulation must be avoided.

The stove can only be connected to a smoke flue serving several systems on 3 conditions:

- all the systems connected to this flue use the same fuel,
- they have automatically closing doors like the Stuv 16-in,
- the flue has been checked for this type of usage; consult a professional if necessary.

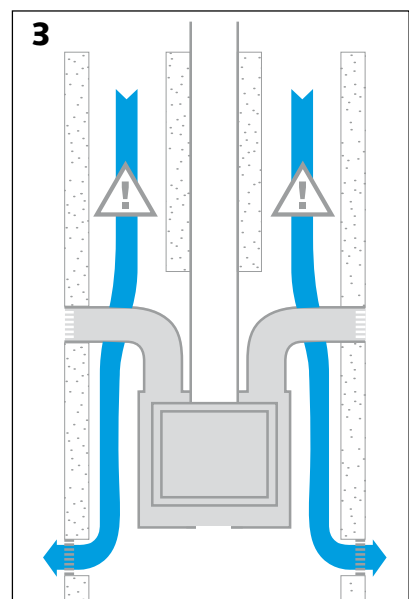
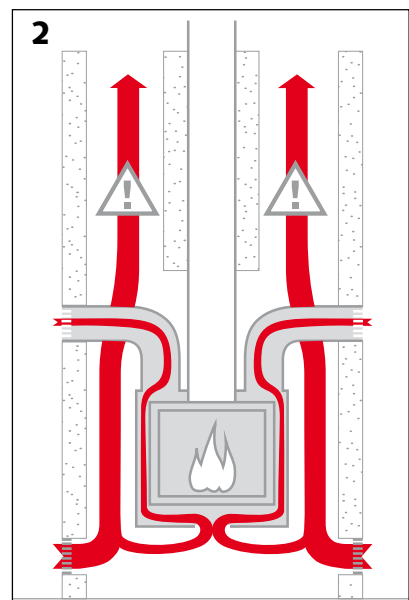
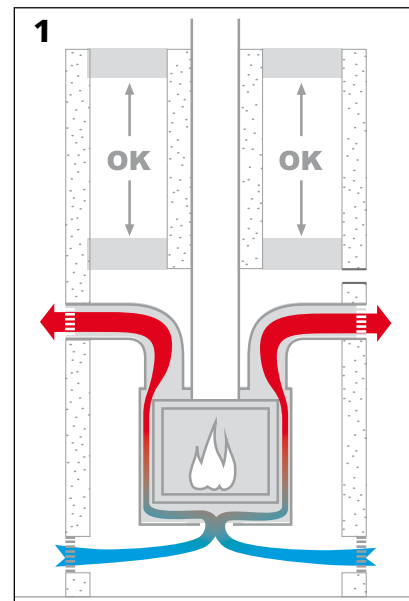
### Take care to avoid heat loss!

If several flues are available: only use one of them. Block up the unused flues at the top and bottom and, generally speaking, ensure that the top of the recess where the stove is fitted is air-tight [diagram 1].

Unused flues or ventilated spaces between walls can generate undesirable counter-draughts (the hot air escapes) [diagram 2], or cause the entry of cold air from outside [diagram 3].

### Standard diameter of the smoke outlet: 180 mm

Some flue configurations may require a different diameter than that provided as standard. Should this be the case, please consult your retailer.



## Holding capacity of the structure

Ensure that the resistance of the floor is sufficiently strong to support the stove and the construction of the cladding. If in any doubt, please consult a specialist.

## The stove's surroundings and decoration

### The recess

Make sure there is enough space for the stove [diagram 1]. If the stove is fitted with a frame (that conceals the contours of the recess), an additional tolerance of 4 cm can be set when the recess is made [diagram 2].

The stove must be able to expand freely. The brickwork or decorative materials must not enter into contact with the stove under any circumstances; leave a gap of at least 5 mm.

This recess and/or the space around the stove must be ventilated to prevent "heat traps". Any closed or contained space constitutes a heat trap which causes the walls to heat up. Circulation of air can be ensured by having an air inlet in the base of the cladding (hood or recess) and an outlet in the upper part [diagram 3].

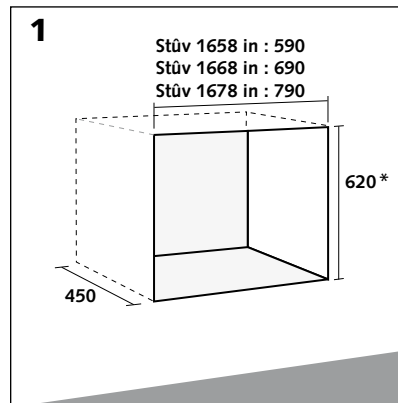
If necessary, insert insulating material of the thickness required between the stove and inflammable materials [see page 3].

### Radiated heat

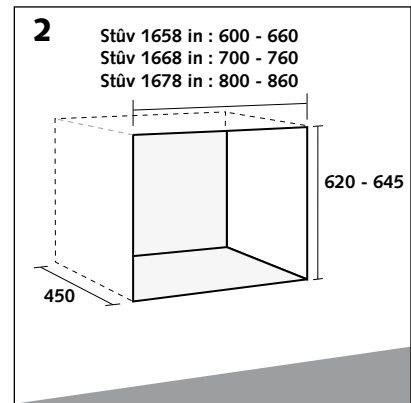
Significant heat may be radiated through the glass door. Ensure the materials exposed to this radiated heat are resistant to high temperatures [diagram 4].

\* 620 mm - photo 1

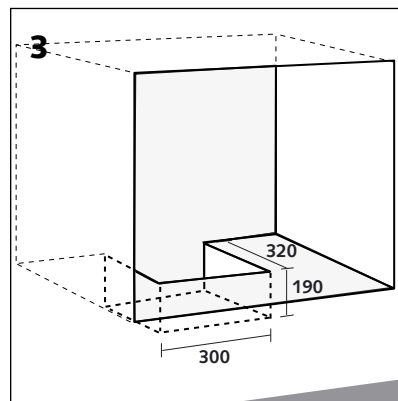
This concerns the installation side in an existing hole + 5 mm play. Please note that once the stove is in place it drops by 5 mm. You will therefore have a gap of 10 mm to make up for in the upper part.



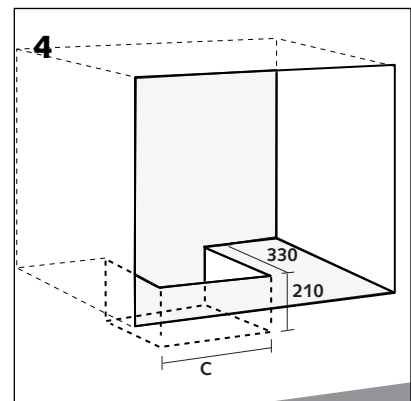
Dimensions of the recess for a stove with a thin frame.



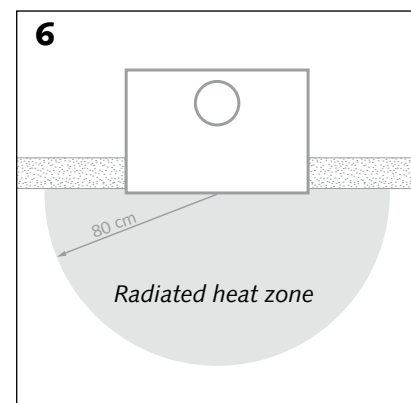
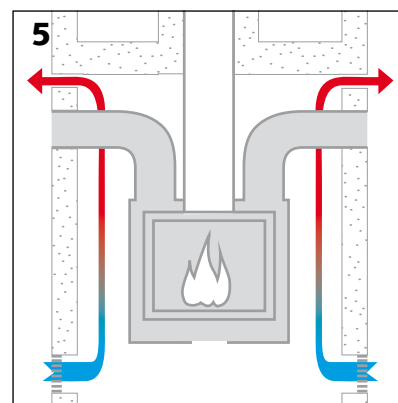
Dimensions of the recess for a stove with a fitted frame.



Space to leave for the fan.



Space to leave for the ventilation chamber: Stuv 16/58: C = 350 mm  
Stuv 16/68: C = 550 mm  
Stuv 16/78: C = 550 mm



### The finishing frame

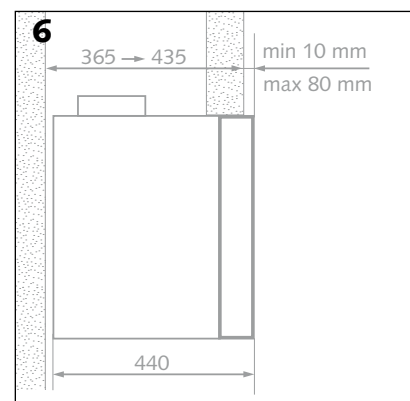
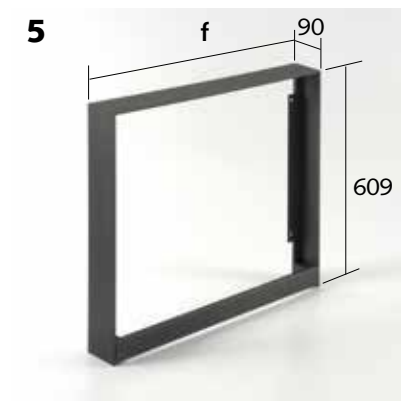
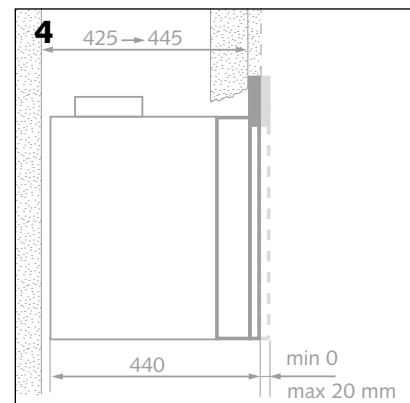
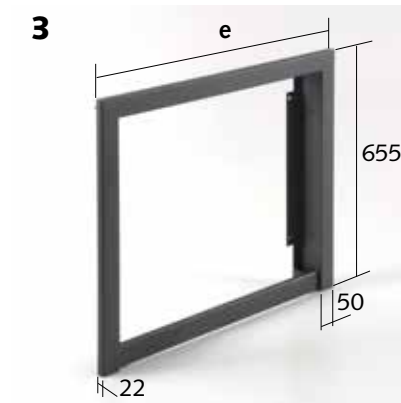
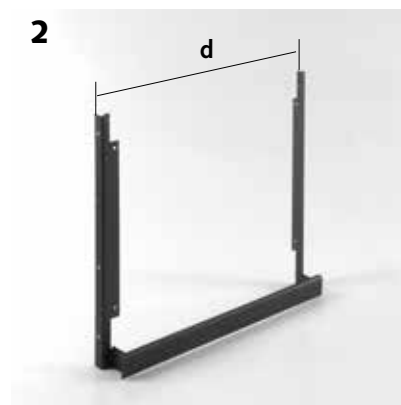
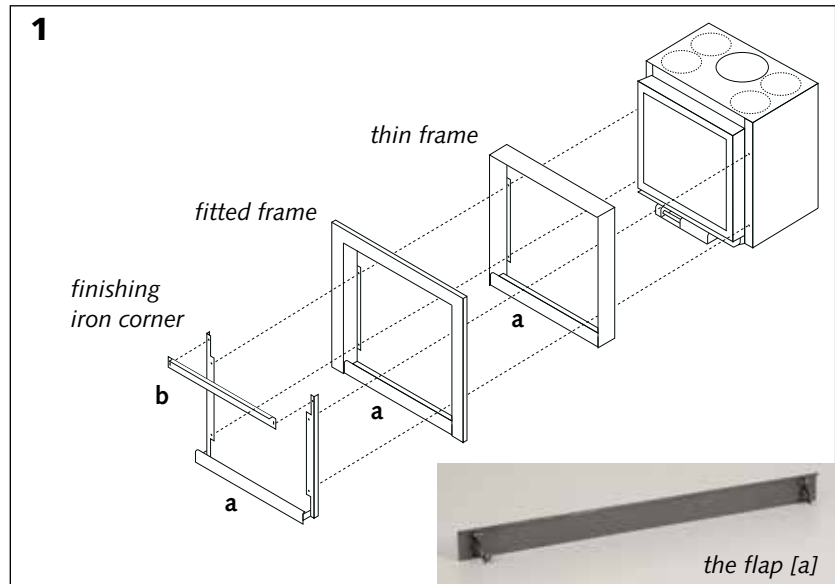
The Stûv 16-in is still fitted with a frame [diagram 1]. The frame supports the flap (which conceals the controls) [a] and possibly the closing of the hot air vent [b].

### The different types of frame

- the finishing iron corner [picture 2] which could also be called an invisible frame as it cannot be seen once it has been installed. It is made up of 2 symmetrical pieces which are assembled on each side of the fire. Decorative elements can be added to personalize the stove. This solution includes an impeccable finish for the edges of the recess.
- the fitted frame [picture 3] conceals the edges of the recess; it is telescopic and allows an adjustment of 20 mm [diagram 4].
- the thin frame [picture 5] must extend beyond the masonry (or the cladding) by at least 10 mm but by a maximum of 80 mm [diagram 6].

### Overall length of the frames

	Stûv 16/58-in	Stûv 16/68-in	Stûv 16/78-in
d	570 mm	670 mm	770 mm
e	670 mm	770 mm	870 mm
f	580 mm	680 mm	780 mm



### The convection air enters into the stove...

- via the front inlet at the base of the stove [diagram 1].
- via the base of the stove [diagram 2]

### The hot air for convection comes out of the stove

- via the front outlet [photo 3].  
This is the simplest solution, but convection will be slower and the temperature of the upper front part of the stove will be reasonably high. Bear this in mind when choosing surrounding materials.
- via the top of the stove, via the ducts [diagram 4], which will improve natural convection (lower temperatures, greater volumes of air), in particular if the air outlets are installed at a reasonably high level.

Ensure the configuration chosen fully meets local or national regulations.

### Air passage

Hot air is more voluminous than cool air. To facilitate the abstraction of hot air, more air outlets to the stove than inlets are required.

If the front inlet/or outlet are not used, create a free passage of air of a minimum of 320 cm<sup>2</sup> at the inlet and/or outlet in the walls of the cladding.

In France: minimum of 400 cm<sup>2</sup> for the inlet and 500 cm<sup>2</sup> for the outlet.

### Configuration of the ducts

Ducts are not mandatory. However, please note that a fibrous insulating material inserted in the recess can give off volatile particles. In this case, thanks to the ducts, any contact between the convection air and these materials can be avoided.

The ducts must rise in a gradual gradient (min 2%) towards the outlet to prevent heat traps [diagram 4].

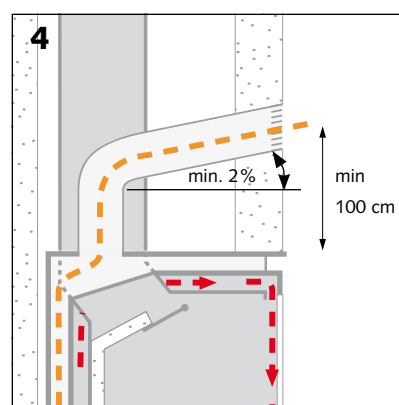
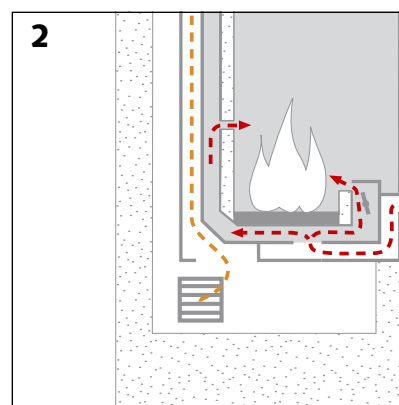
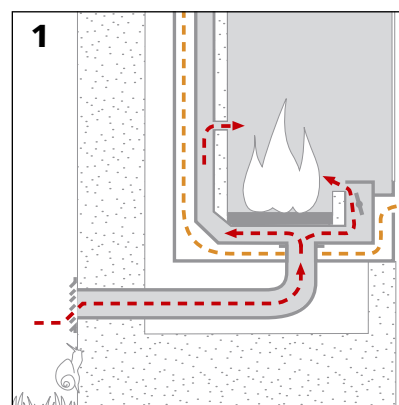
To ensure balanced air flow, the duct system has to be configured symmetrically (number of ducts, their height, the number of bends, their degree of insulation).

### In practice...

The ducts have a diameter of 150 mm.

The air inlets and outlets have to be set up so they cannot be obstructed.

If you install grills on the air inlets/outlets, ensure that the passage of useful air in these grills (surface of the openings) is at least equivalent to the section of the stove's air inlets/outlets to prevent pressure loss.



## Insulating the fireplace: pros & cons

### Safety

Take the necessary precautions to prevent excessive heating of the recess walls and construction materials close to the stove (e.g. wooden beams) and insulate these materials according to industry regulations and the applicable standards depending on their flammability.

### Improvement of performance

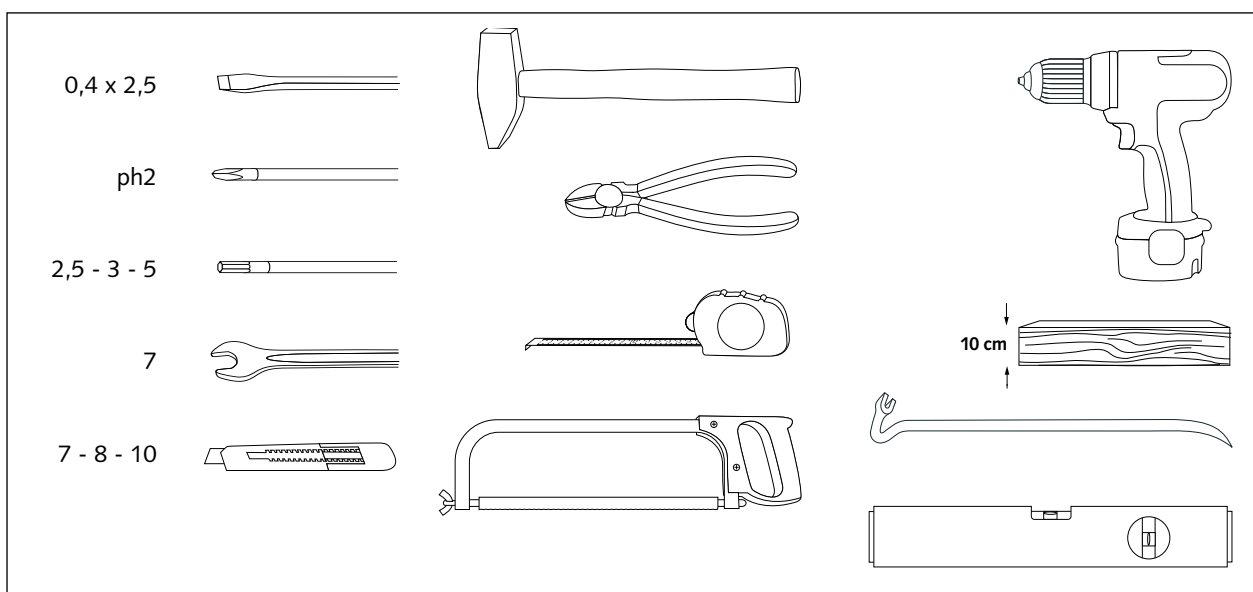
Thermal insulating materials can also be placed against the stove to improve its performance. They are not designed to protect inflammable materials from excessive heating.

The advantage: reduction of heat loss: this applies in particular if the stove is against an external wall; if this is not the case, heat will not be lost:

it will dissipate into the brickwork and then into adjacent rooms;

The disadvantage: a watertight recess has to be built and ducts installed for the convection circuit to prevent insulation particles from being suspended in the convection air or in the room where the stove is installed.

## Tools



## INSTALLATION

### On taking delivery of the equipment

#### Please note!

Upon receipt of this stove, please ensure that the glass door has not been damaged during delivery. The guarantee only covers damage due to transport if it is reported within 48 hours of delivery and it is indicated on the delivery slip [picture 1].

#### Complaints

Always indicate the serial number visible on the stove when making a complaint [picture 2].



### Unpacking

#### Please note!

The paint is not oven baked and is therefore relatively fragile but will harden after being heated a few times. Handle the system with care when installing.

#### Checking the order

Where accessories have been ordered (frame, support,...), they will be found around the hearth or its packaging. Please check all accessories are supplied as ordered.

The installation instructions and the directions for use are attached to the packaging.

Inside the combustion chamber, you will find...

[a] Paint spray for touch-up

[b] A flange

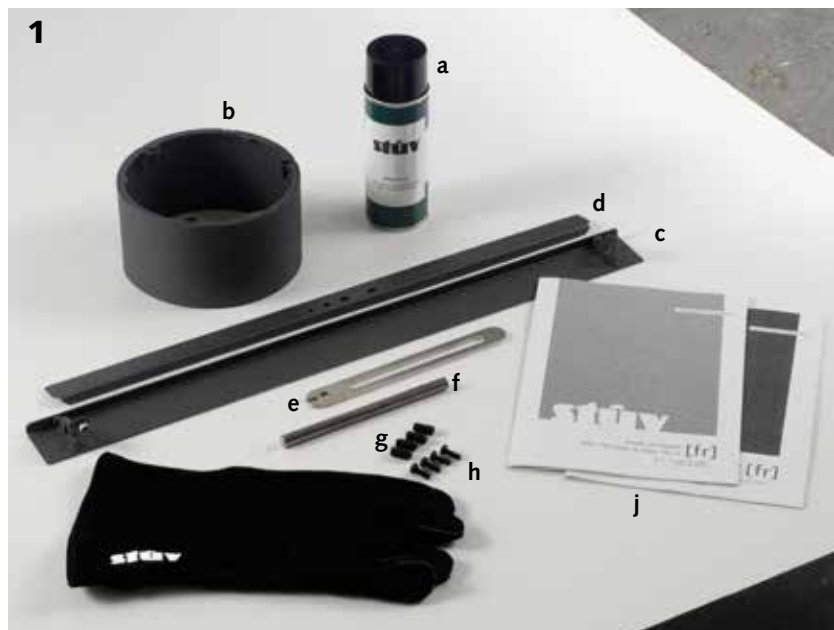
[c] Flap

[d] graduated tablet

[e] Cold handgrip to handle the door and the regulator lever

[f] Handle for setting up the flue from inside the stove

[g] 4 x M10 headless screws for levelling



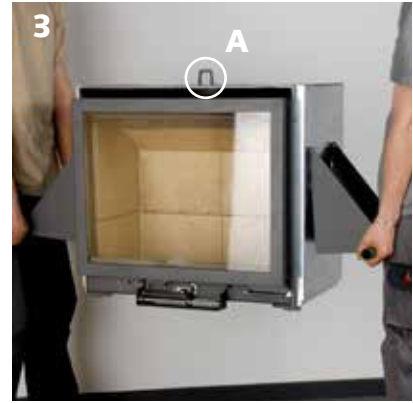
[h] 4 M6 X 20 screws with hexagonal heads to attach the plate

[j] Installation instructions and directions for use

## Unpacking (continuation)

### Moving the stove

- with a pallet truck: leave it on its pallet,
- with a trolley: tilt stove on its back leaving pallet in place,
- with purpose-built handles [picture 2]; they are reversible to allow handling in staircases for example [picture 3].
- The Stûv 16-in is also fitted with a hoisting ring [picture 3 A].



## Preparation of the ducts

### Intake of air for combustion

If you have selected this option, install the combustion air inlet duct.

### Convection air

If necessary, prepare the ducts for the hot air outlet.

### Grills

The air inlet and outlet grids should be positioned in such a way that they cannot become blocked.

## The base plate

The base plate is a key element in the system: The outside air inlet duct is connected to it and the fan and its accessories are attached to it. It supports the stove itself. It remains fixed.

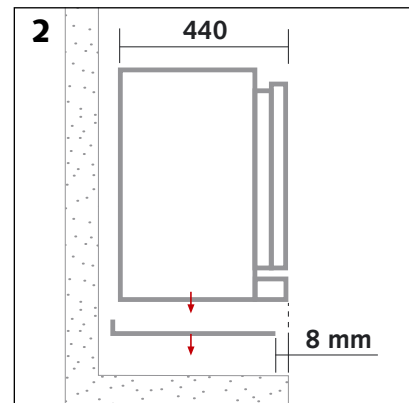
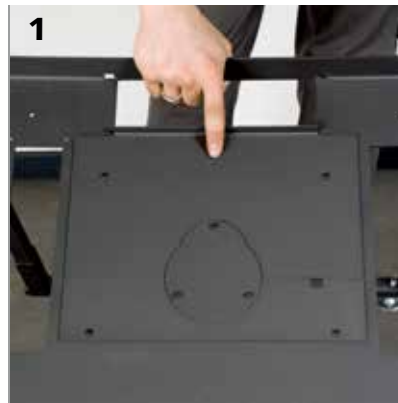
It is positioned

- on the brickwork,
- on the adjustable support
- or on the ventilation chamber.

Whatever solution is chosen, the position of the plate determines the position of the stove.

It is thus essential to align it accurately with the smoke flue. A small hole cut in the sheet metal [photo 1] indicates the verticality of the smoke outlet.

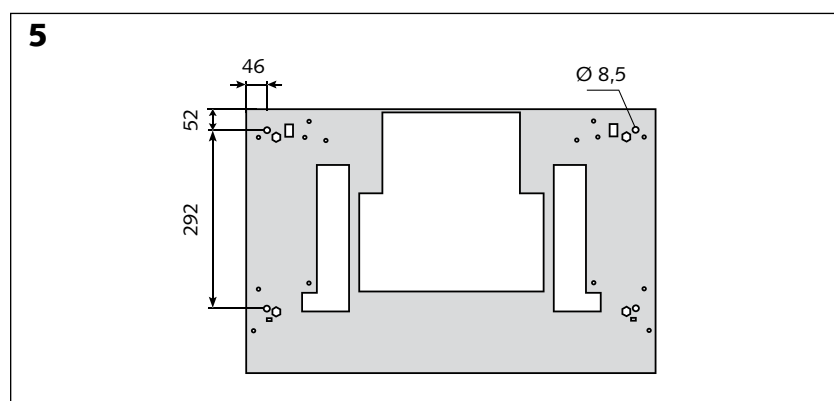
Please bear in mind that the front edge of the plate will stand 8 mm back from flap [diagram 2].



## Assembly of the plate on the brickwork

4 headless M10 screws (supplied with the stove) can be used to level the plate [photo 3]. Remember to take out the flexible tube for the convection air.

The plate will need to be firmly fixed to the masonry [picture 4 & diagram 6].



## Assembly of the plate on the ventilation chamber

Where this option has not been selected, please move on to the next chapter.

The table comprises [picture 1]:

- the pre-fitting plate [a],
- a «left legs» element and a «right legs» element [b],
- a lower front support and a lower rear support [c].

Note that the lower supports are not symmetrical; they must be arranged as shown in [picture 2].

The finished table is 60 cm high. Its legs may be cut back. If, for example, a height of 35 cm is required, legs will have to be cut 25 cm shorter; the table will have a minimum height of 20 cm if the legs are cut 40 cm.

Assemble the legs and lower elements [picture 3]. Note the position of the cross-piece between the legs [picture 4].

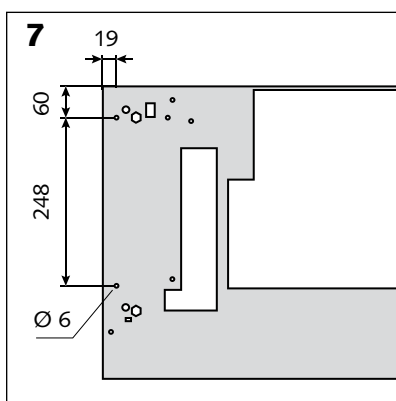
After inserting the legs into the lower supports, turn the assembly over and strike it with a hammer to drive the legs fully in and lock the assembly [picture 5].

Fix the left legs (for example) to the plate. Put the 4 M6 X 20 screws with hexagonal heads provided with the stove into the corresponding holes [diagram 7].

You will then have to exert a traction on the right-hand legs to align the holes [picture 8].

Level the table by adjusting height of screw-in legs.

Fix the table to the floor with screws or silicone glue.



## Assembly of the plate on the ventilation chamber

Where this option has not been selected, please move on to the next chapter.

The ventilation box allows the connection of ducts which feed ambient air from remote areas of the room containing the stove or from adjacent rooms.

The ventilation box is not mandatory : when it is not fitted, the ventilator fan is placed in a space under the stove and will draw nearby ambient air through vents to be provided.

The ventilation box must be screwed on to the plate. It can be fitted in two ways :

- it can serve as a base for the stove.
- suspended from the pre-fitting plate (which is resting on the masonry or on the adjustable support)

### The ventilation box supports the stove.

Determine the exact position of the box (which in turn will determine that of the stove !) A cross cut in the bottom of the box is plumb with the centre of the flue.

The front face of the chamber is 134 mm behind the front face of the stove [diagram 1]. The front face does not have pre-cuts for the connection of ducts [photo 2].

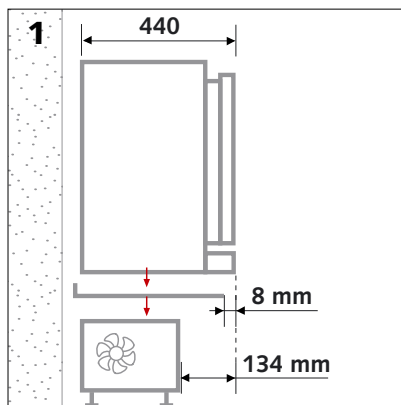
Free the openings for the convection ducts (Ø 150mm).

Caution : where this is the selected option, the outside combustion air duct (Ø 63 mm) must also run through the ventilation box [pic. 4 & 8]. Passage through the box : ideally from the bottom or from the left hand side since the electronic power circuit will occupy the right hand side ; if for some reason it has to be on the right hand side, then the electronic circuitry will have to be fitted to the left.

Set level with the adjustable legs [pic. 5].

Secure the box to the floor [pic. 6].

Install the flanges [pic. 7], secure duct with a clamp.



Insert (when applicable) the outside air inlet duct [pic. 8].

Place the plate on the ventilation chamber and screw into place [photo 9].

### **The ventilation box is suspended from the pre-fitting plate**

Proceed in the same way concerning the connection of ducts and the passage of the combustion air duct.



## Combustion air connection

### Air drawn from outside

The combustion air is drawn from outside or inside by means of the flue outlet and/or a duct [diagram 1] connected to the support plate.

Remove the plug [photo 2] and the cover at the front [photo 3].

Fit the duct over the sleeve [photo 4] and secure it with a clamp collar [photo 5] with the collar attachment turned towards the back of the stove

Insert the 2 M4 screws with hexagonal heads into the cover at the front, put the sleeve between the 2 screws [photo 6] and then fasten it all.

### Combustion air is drawn from the room where the stove is installed [diagram 7]

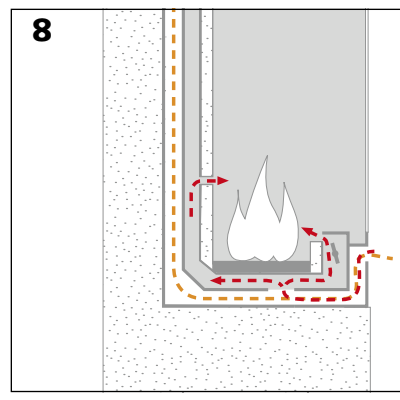
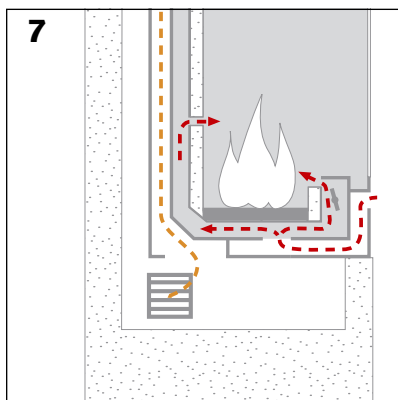
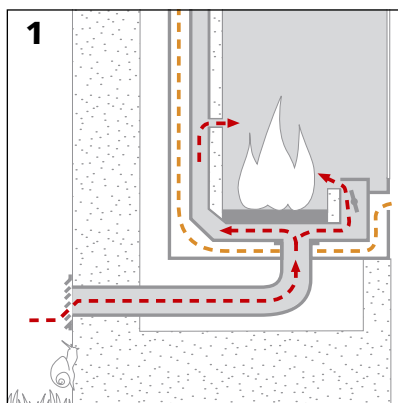
Make sure there will be adequate air renewal once the stove is operating.

If you are installing a fan, see page 22.

If you are not installing a fan, remove all the cover hatches from the base plate [photo 6].

Ideally, create a convection air inlet in the space under the stove [diagram 7].

Even though this configuration is not ideal, it is possible to draw both combustion and convection air from the base of the stove [diagram 8].



## Fan kit

- a fan + 2 screws
- b electronic regulator  
+ 2 M4 x 8 screws  
with hexagonal heads
- c switch with 4 positions  
+ support  
+ finish plate
- d cable with 4 wires
- e thermal switch  
+ cable  
+ cable guide
- f 2 pre-cut filling plates (to be  
modified in line with the model of  
stove) + 4 screws tx M4 x 6
- g air-tight seal for convection air  
circuit with pull thread.



## Assembly of the fan on the base plate

Remove the covers [photo 2] and get  
the power cable ready.

Put the fan into position [photo 3].

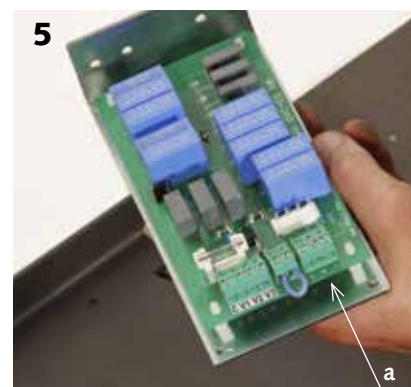
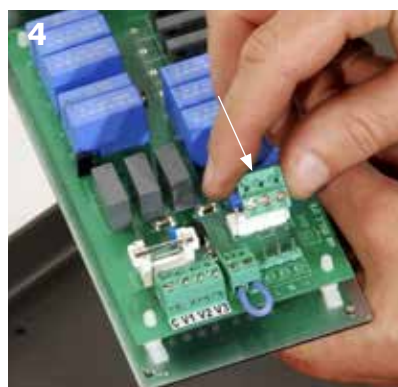


## Electrical connections

### Connection of the power supply and earth

Connect the cables to the circuit; the  
terminal blocks can be disconnected  
from the electronic circuit [photo 4].  
The connection indications are marked  
on the underside of the terminal  
blocks (power supply, earth, speed 1,  
2,).

Connect the power supply  
[photo 5-a].



Connect the earth to the circuit's metal support [photo 6].

**Connection of speed control**

Strip the cable with 4 wires and clean the sheath of each wire; you will see that each of the wires is numbered. Connect to the terminal block [photo 7-c] by following the indications of the wiring scheme [8].

**Connection of the fan**

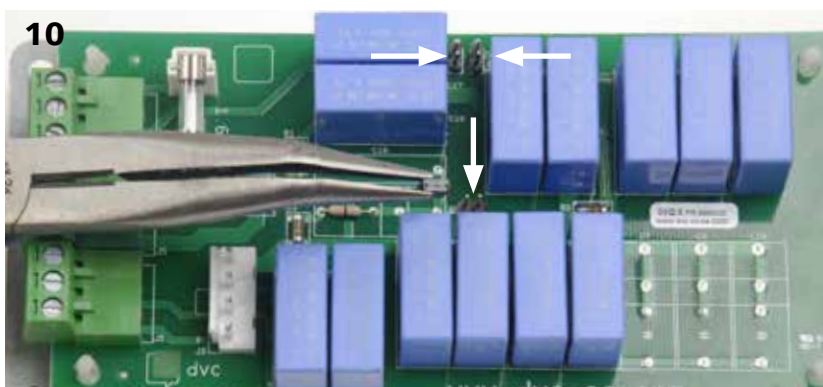
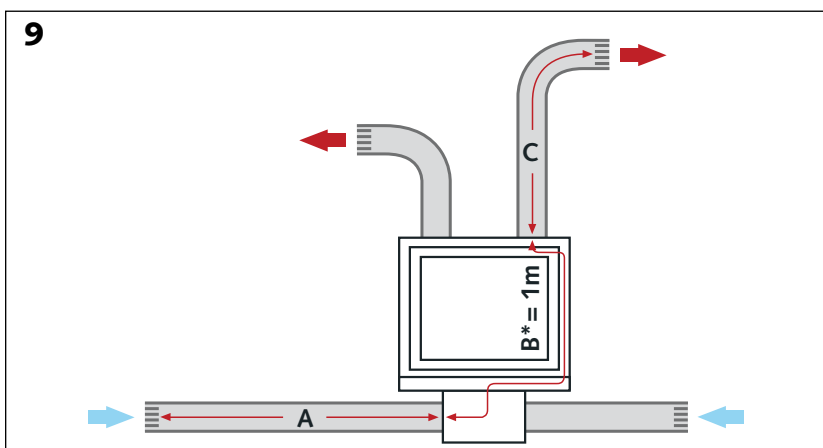
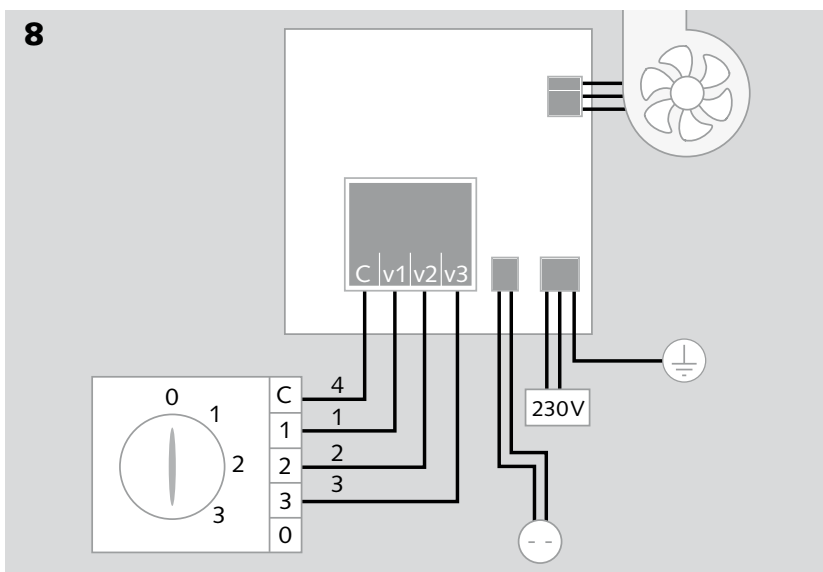
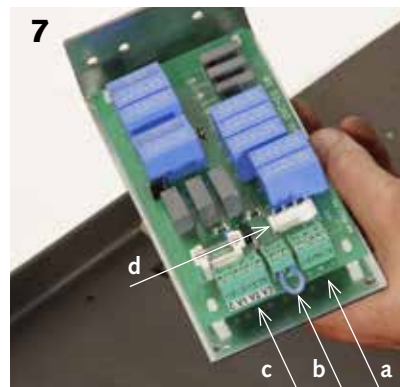
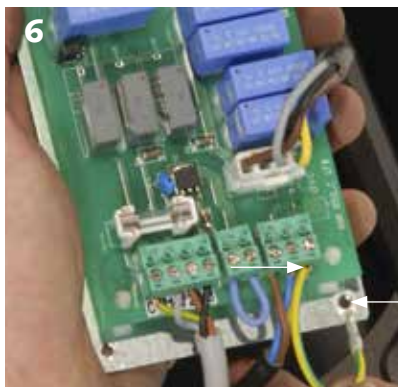
The cable attached to the fan is provided with a connector; connect it [photo 7-d].

Test the unit is working before connecting the thermal switch. After testing, turn off the power!

**Adjustment of the fan's power**

If the ducts [diagram 9] have a considerable length ( $A + B + C > 3m$ )\*, the fan will require more power to overcome the pressure loss: you will have to connect the 3 separately supplied jumpers to the electronic circuit [photo 10].

- \* A: Length of the longest aspiration duct
- B: Route of the air inside the stove = 1m
- C: Length of the longest propulsion duct

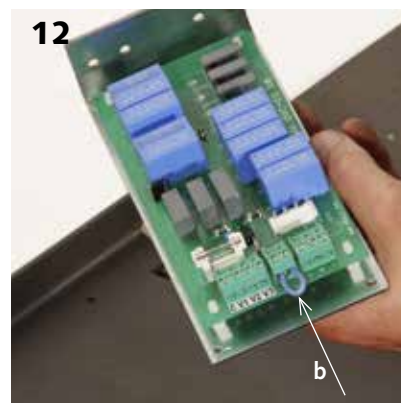


### Connection of the thermal switch to the electronic circuit

The thermal switch only allows power to the fan when the temperature of the reheated air is high enough. Therefore, when lighting, the fan will only start after a few minutes to prevent unpleasant currents of cold air.

The same applies when putting out.

- Remove the shuntage [photo 12-b].
- Put the cable into the cable guide.
- Connect the thermal switch to the terminals now freed up.
- The thermal switch will later be attached to the stove.



## Closing the fan's cover

Attach the electronic circuit under the front part of the access cover to the fan using 2 M4 x 8 screws with hexagonal heads [photo 1].

Position the back part of the access cover [photo 2]. Push the fan right to the back. Attach the back cover at the same time as the side parts [a] forming the mouth of the fan using the 2 M4 x 12 screws.

Close the lateral openings [photo 2-a] using the two filling plates the length of which will have been adjusted to match the stove that you are installing [photo 3]. Attach them using the 4 screws tx M4 x 6.

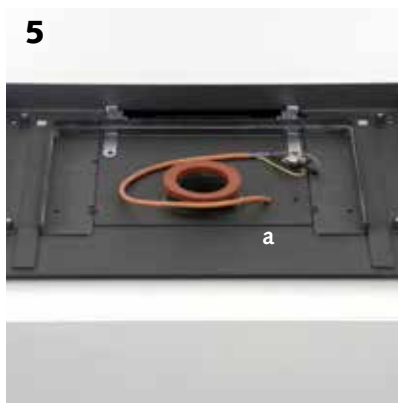
Connect the air inlet duct to the nozzle [photo 4] and attach the front part of the cover (with the electronic circuit) to the base plate. Ensure the cables of the thermal switch [photo 5-a] pass through the notch provided for this purpose and are protected by a cable guide.

The two closure sections of the fan's cover lock into place the collar of the combustion air adduction duct.

Fix the air-tight seal [photo 5 and 6] to prevent the fan disturbing combustion. Cut the excess with the cutter.

If you have not created an outside air connection, reclose the opening using the filling plate [photo 6-a]

The stove can now be installed on the base plate.



## Preparation of the hot air outlet

### Use of the front outlet

[diagram 1]

If you have chosen this option, nothing has to be done!

### Rear upper outlets [diagram 2]

Remove galvanized steel cover:  
2 screws on each side and 4 screws on the upper part [picture 3]

Pull the side walls slightly apart (use wedges of around 10 mm [photo 4]) and lift [photo 5]

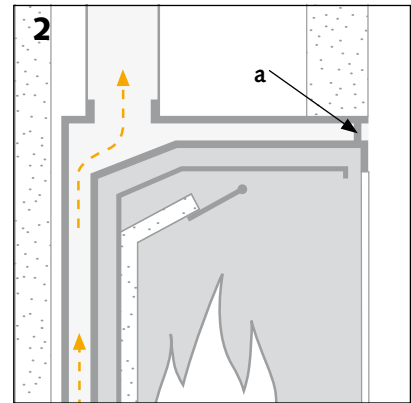
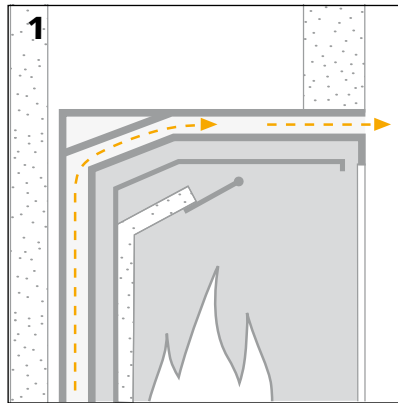
Open the outlets; the deflector [picture 6] falls together with the lid: this is meant so that hot air is no longer deflected towards the front but exits freely. Remove the cappings [photo 7].

Refit cover

Fix the flanges [picture 8]

When upper hot air outlets are used, the front vent should be closed using an item supplied with the frame [schema 2 détail "a"].

This item will be fitted in the last instance together with the frame.



## Connection to the smoke flue

### When the stove is to be inserted into an existing fireplace...

... Connection will be done from the inside. The pipe will end in its lower part with a flexible or a telescopic section.

Fit the flange to the pipe before positioning the stove.

### When the flue remains accessible from outside...

... Fit the flange directly onto the stove [picture 1]. Use the 3 M6 X 12 screws with hexagonal heads provided with the stove.

#### Please note

In the case of a connection duct for just one room, leave a gap of 2 mm/m lengthways to allow for expansion.



## Positioning of the stove

### Before the placement of the stove

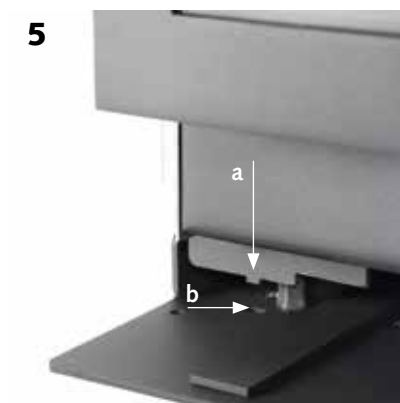
In case the hoisting ring [picture 1] could hinder the installation of the stove in its recess, it can be broken off with a few foldings.

Dismantle the door: half open it, unfasten the spring [photo 2], lift slightly, remove the door [photo 3].

### Actual placement

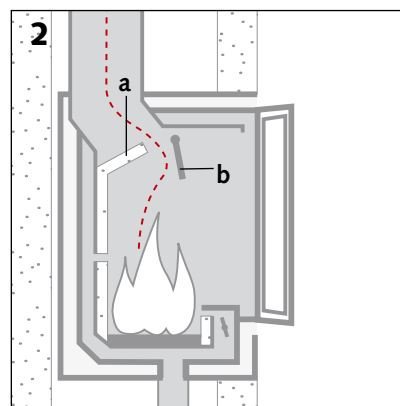
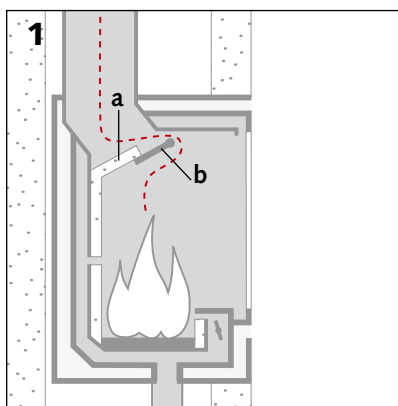
Put down the back of the stove [photo 4], centred on the track provided on the plate.

Push it on its wheels until lug [a] drops into notch [b] in the plate [picture 5].



## Connection of flue from inside the stove

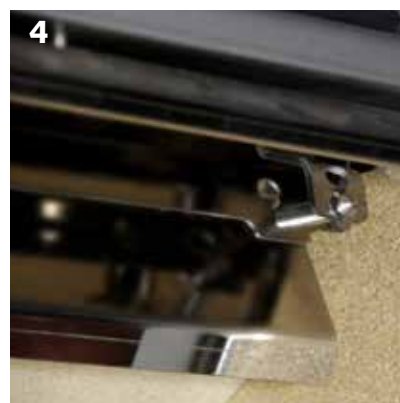
Reaching the smoke outlet from inside the stove requires the removal of smoke deflector elements [diagrams 1 & 2]: the fixed vermiculite deflector [a] and the metal articulated deflector [b]. In normal operational mode this extends the fixed deflector to force the gases upwards around it [diagram 1]. Whenever the door is opened for a re-load, the articulated deflector tilts downwards to open a wider and more direct path for the gases to reach the flue [diagram 2]. This reduces the chances of a back-draught.



### Removal of the articulated deflector

Lift the small rod to slide it out of its buttonholes [pics 3 & 4], push the articulated deflector to free the head of the rod and remove said rod.

Tilt the deflector to the front [diagram 5] then push it to the back to free it from its pivots [diagram 6].



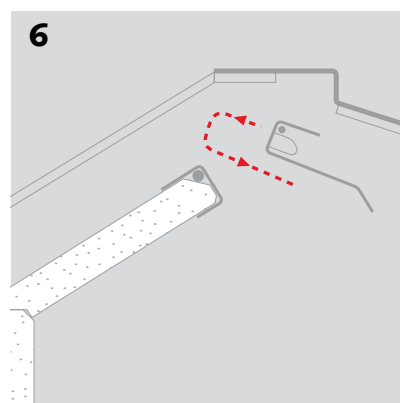
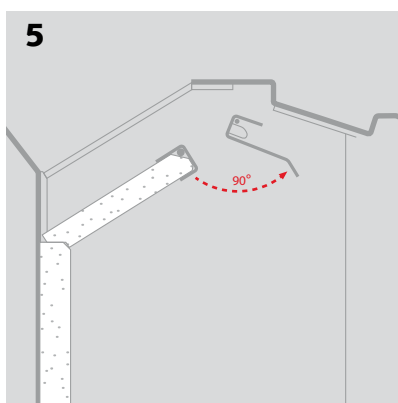
### Removal of the fixed deflector

Remove the nose of the fixed deflector while holding the vermiculite elements [pic. 7].

### Connecting to the flue

Put the flange in its housing using the bar provided [photo 8].

Attach it using the 3 M6 X 12 screws with hexagonal heads (size 10 key).

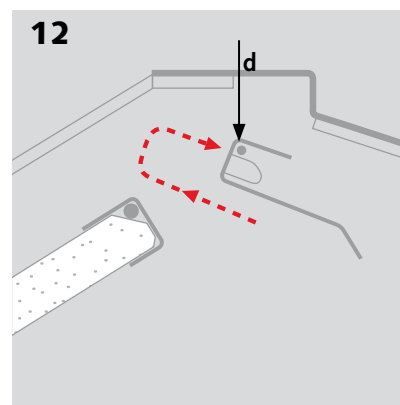
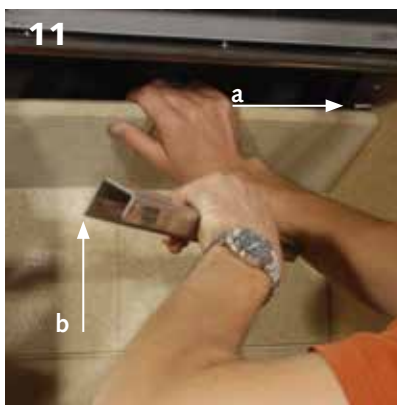
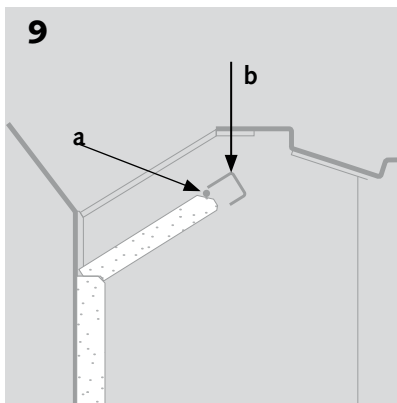


### Reassembling the deflectors

Reposition the vermiculite panels of the fixed deflector following diagram 9; they should abut on either side under the metal lug [diagram 9 a] and [pic. 10]; join them with the metal nose and check that the longest wing is above [diagram 9 b] and [pic. 11 b].

Slide the articulated deflector between its pivot and the nose of the fixed deflector then hang [diagram 12 d] and [pic. 13].

Refit the rod [pic. 14], with its chamfered side towards the front of the stove. Slide both sides into the buttonholes; make sure it works properly: the articulated deflector should close as the door is being shut.



## Assembly of the thermal switch

If you have not installed a fan, go to the next section.

Push the valve as far left as possible.

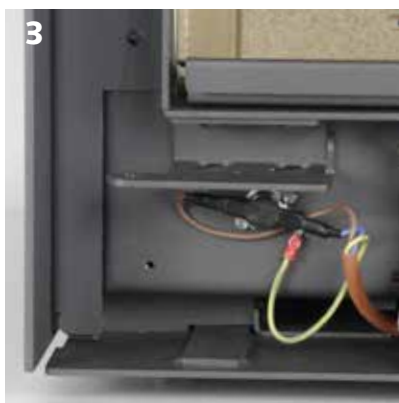
Unscrew the valve cap (2 M4x6 screws) [photo 1].

Move the valve cap to the right to bring its notch into line with the slide control [photo 2] to be able to remove it.

Attach the thermal switch temporarily using the screws [photo 2].

Attach the earth ringlet by inserting a washer (provided in the fan kit fittings packet) to ensure good electrical contact [photo 3].

Put the valve cap back on. Right screw, then left screw.



## Assembling the frame

The various types of frames are fitted to the stove in the same manner.

Remove the door if not previously done.

Push the regulator lever fully left.

Remove 4 curved M5 screws [pic. 1].

Fit the frame in place from the front [pic. 2]. Secure starting with the 2 screws at the bottom.

With a frame with finish, adjust the depth so that it is fitted correctly [pic. 3]. In the case of a thin frame, screw in the two M5 screws in the centre of top horizontal part [pic. 4].

Put on the valve cover [pic. 5].

Unscrew the screws temporarily.

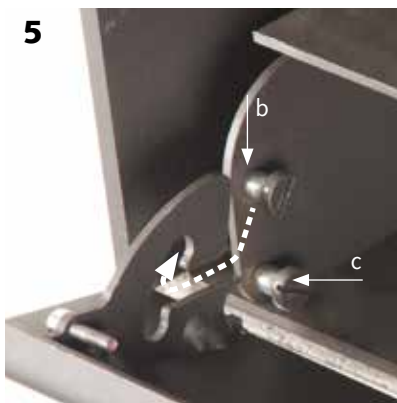
The flap fits onto the stop screw [pic. 5-b] and pivots on the screw [c].

Adjust the screw [pic. ] on the right-hand side of the flap (holding the magnet) so that:

- the magnet has sufficient force of attraction,
- and that the flap is vertical in a closed position.

The magnet attracts the filings: keep the contact parts clean!

If the magnet's force of attraction is insufficient, replace the 6 mm M3 screws with 8 mm M3 screws.



## Front hot air vent

If you use the front outlet, the shutter supplied with the frame [photo 7] will be of no use to you.

If you use the outlets at the top, you then have to fill up the front outlet by installing the shutter as shown in picture 7.

Secure using two M5 screws [picture 8].



## Refitting the door

Refit the door on its hinges.

A spring inside the door shuts it automatically [picture 1] hook up the spring to its lug inside the stove [picture 2].



## Graduated tablet

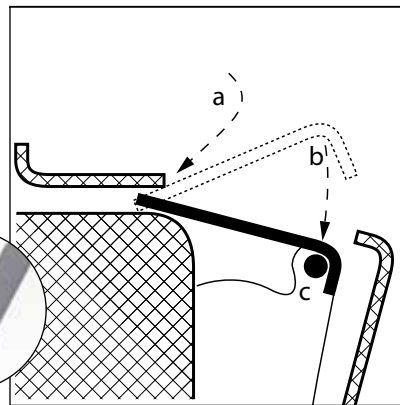
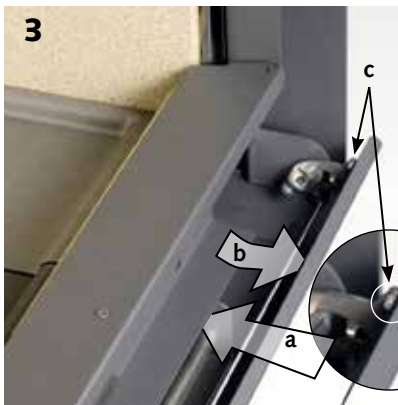
Tilt the flap [picture 1].

Slide in the graduated tablet – adjusted to the centre of the register – under the register hood [picture 2]. It is simply placed on the 2 lateral screws.

Put the back edge of the tablet under the valve cover [photo + diagram 3-a].

The front edge of the tablet is inserted between the front part of the flap [3-b] and the 2 lateral screws [3-c].

Close the flap [picture 4].



## Construction of cladding

When installing the cladding or the construction around the stove, follow the basic principles explained on pages 8 and 9 (preparing the hearth area).

## When the installation of the stove is complete...

... Carry out a test to ensure it is working correctly.

Before this test, ensure no items involved in installation have been left in the combustion chamber or in the bends (spray paint, tubes of grease, tools).

When the fire is first lit, some smoke or odours may be produced: Ventilate the room thoroughly.

See directions for use.

Once installation is complete, return the directions for use to the user. Fill in the guarantee certificate with him (at the back of the directions for use) and advise him to return it to the manufacturer or importer.

## ACCEPTANCE OF WORKS



PLEASE COMPLETE IN BLOCK CAPITALS.

### THE PURCHASER

SURNAME .....  
FIRST NAME .....  
ADDRESS WHERE WORKS WERE CARRIED OUT .....  
POST CODE .....  
TOWN/PLACE .....  
COUNTRY .....

### INSTALLATION ENGINEER

COMPANY .....

### YOUR STÛV STOVE 16-IN

SERIAL N° .....  
DATE OF INSTALLATION .....

### FLUE CHARACTERISTICS

HEIGHT OF FLUE IN M .....  
DIAMETER OF FLUE IN MM .....  
TYPE OF FLUE .....

### CHECK OF SYSTEM'S SETTINGS

CHECK ON THE VACUITY OF THE FLUE .....  
VALIDATION OF DRAUGHT .....  
VERIFICATION OF AIR INLET SETTING  
(OPEN/CLOSED) .....

CHECK OF THE HUMIDITY OF THE WOOD ..... HUMIDITY %  NO WOOD

COMMENTS .....  
.....  
.....

### SAFETY GUIDELINES

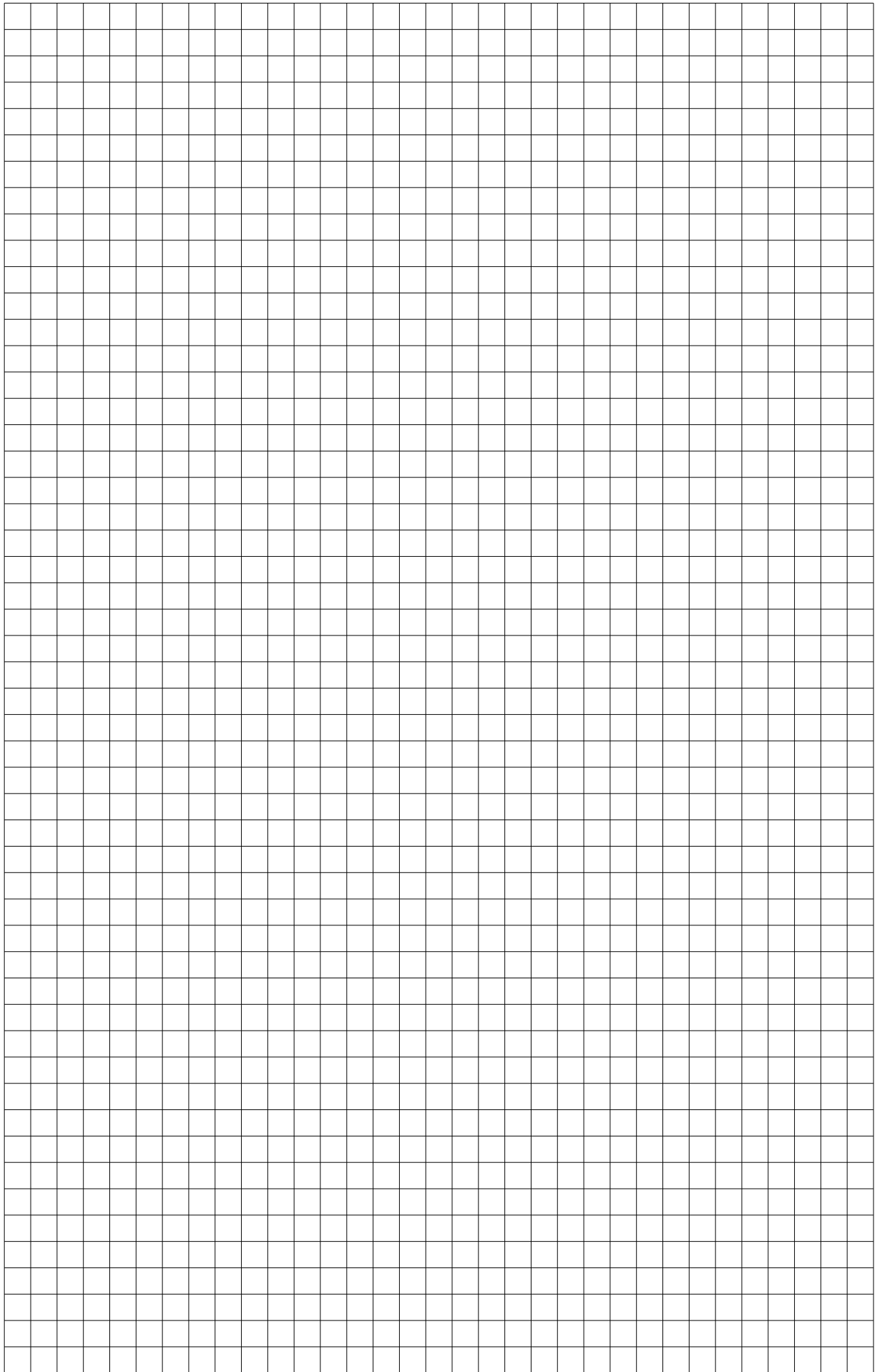
The use of this system has to comply with the installer's recommendations and the manufacturer's instructions which are set out in the directions for use issued to the customer with the invoice and this confirmation of acceptance.

The efficiency and longevity of the system depend directly on the quality of wood used: it is essential that wood with humidity of less than 18% or reconstituted wood briquettes are used. Green wood with drying-out time of less than 24 months cannot be used (more information in the "fuels" section on pages 8 and 9 of the directions for use).

THE INSTALLATION ENGINEER (name written out in full and signature).....

THE CUSTOMER (name written out in full and signature) .....

Directions for use of the system issued to customer /  Information sheet on lighting the stove issued to the customer



## CONTACTS

### **Stûv stoves are designed and manufactured in Belgium by:**

Concept & Forme sa  
rue Jules Borbouse 4  
B-5170 Bois-de-Villers (Belgium)  
info@stuv.be – www.stuv.be

### **Importer for the UK**

Jet Master Fires Ltd – Unit 2  
Peacock trading Estate, Goodwood Rd  
S050 4NT Eastleigh – Hampshire  
T 0870 727 0105  
jetmastersales@aol.com  
www.jetmaster.co.uk

### **Importer for Finland**

Ilkka Alatarvas OY  
Pikkujärventie 4B  
01680 Vantaa  
T 400 872 858  
www.takkamaailma.com

### **Importer for Sweden**

Eldoform Sverige AB  
Slipgatan 2 – 117 39 Stockholm  
T 0707 883 53 – www.eldoform.se

### **Importer for Denmark**

Stove APS  
Aldershvilevej 84 – 2880 Bagsvaerd  
T 51 33 10 93

### **Importer for Estonia**

Tulering Kaminasalong Oü  
Sopruse 145 – 13417 Tallinn  
T +372 56 249 004 - www.tulering.ee

# CAUTION!

Upon receipt of this stove, please ensure that the glass door has not been damaged during delivery. The guarantee only covers damage due to transport if it is reported within 48 hours of delivery and it is indicated on the delivery slip.

printed on 100% recycled paper

## installation instructions [en] Stûv 16-in

10-2011 – SN 97 851 > ...

Stûv reserves the right to make changes without prior notice.  
These instructions have been produced with the greatest of care. However, we do not accept responsibility for any errors that may have been made.  
Editor: Gérard Pitance – rue Jules Borbouse 4 – 5170 Bois-de-Villers – Belgium

[nl] [de] [it] [es] [pt] [cz] [en] [fr] >  
This document is available in several languages: Contact your distributor or visit [www.stuv.com](http://www.stuv.com)