

This Stûv stove has been designed to offer you maximum comfort and safety. It has been manufactured with the greatest of care. If however you should find the slightest dissatisfaction with it, please contact your supplier.

We recommend that you read these instructions prior to installation.

Contents

Standards & certification	3
Technical specifications	4
Dimensions	5
Recommandations	5
Overview	6
On taking delivery of the equipment	7
Tool requirements	7
Preparation of the area	8
Unpacking and preparation of the stove	10
Accessories for the connection to the smoke flue	11
Installation of the upper part	12
Positioning of the stove	17
Connection to the flue	19
Refitting the stove	21
Inserting the convection column	22
When the installation of the stove is complete...	23

Standards & certification

The Stûv 30-up stoves (for intermittent operation) comply with the requirements of EN European standards in terms of efficiency, gas emissions, safety etc.

Data referred to below is provided by a certified laboratory.



Test results according to EN 13240 : 2001 and 13240A2 : 2004



Concept & Forme sa
B-5170 Bois-de-Villers (Belgium)

08
EN 13240 : 2001 / A2 : 2004

Wood stove **Stûv 30-up**

Minimum safety distance from adjacent combustible materials
(with insulating kit installed):

- behind: 0
- on the sides: 10 cm
- below: 30 cm

Recommended fuel: wood logs only

CO emissions: < 0.09 %

Average smoke temperature at rated power: 118 °C

Rated heat output: 8 kW

Efficiency: > 80 %

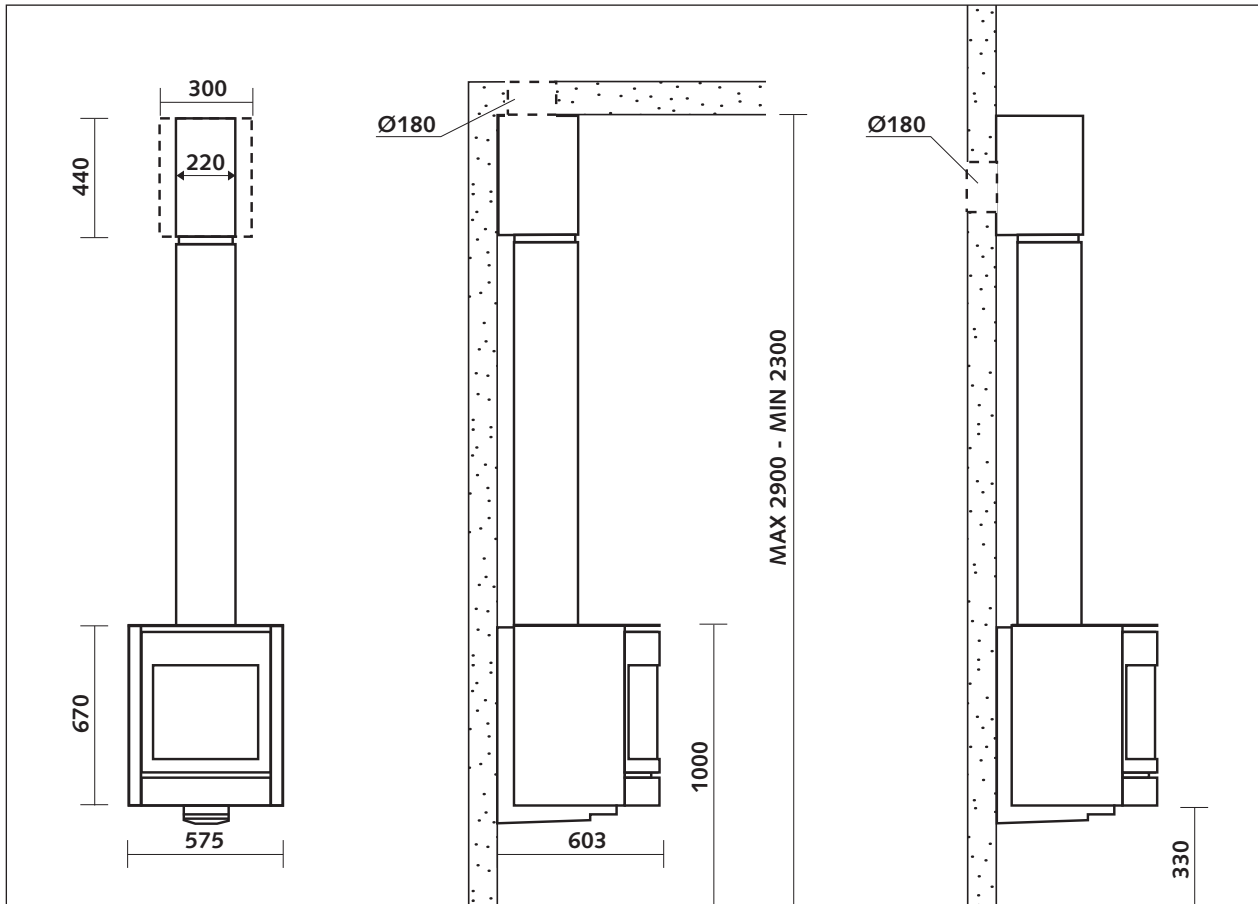
Particle emissions: 23 mg/Nm³

Please read the installation instructions and directions for use.

according to EN Standard 13240: 2001 and 13240A2 : 2004

Stöv 30-up stoves	
System mass	151 kg
Recommended fuel:	wood logs only
Maximum length of logs in horizontal position	33 cm
Rated heat output	8 kW
Optimum output range for usage in kW	5 - 9 kW
Range of wood consumption per hour at 12% humidity recommended	1,3 - 2,4 kg
Maximum limit for consumption of wood per hour (to avoid overheating the system)	3,4 kg/h
Efficiency	> 80%
Minimum safety distance between adjacent combustible materials and:	
– the back part of the stove:	0 cm
– the sides of the stove:	10 cm
– the bottom of the stove	30 cm
Minimum diameter of the duct for the intake of outside combustion air (open fire / closed fire)	Ø 63 mm
Minimum draught needed to obtain the rated calorific output (Pa)	12,3 Pa
Smoke mass (g/s)	9,4 g/s
Average smoke temperature at rated power	118 °C
CO emissions	< 0,09 %
Particle emissions	23 mg/Nm ³

Dimensions



Recommandations

We strongly recommend you entrust the installation of your Stûv to a qualified professional who is able to ensure that the specifications of the smoke flue correspond to the stove installed.

The installation of the system must conform to all local and national regulations, in particular those which refer to national and European standards.

Any modification made to the system may be dangerous and will invalidate the guarantee.

Overview

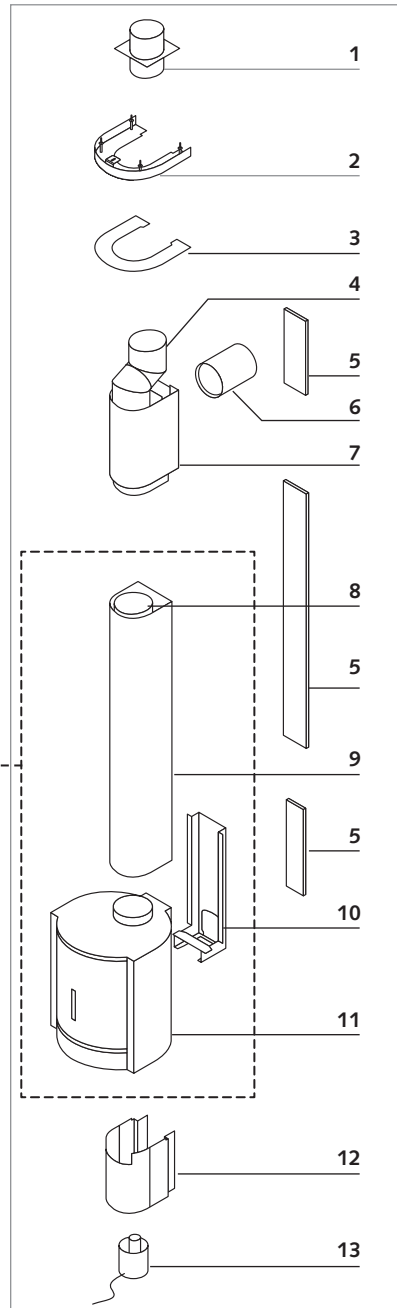
The diagram opposite shows the main parts.

- flue union [1]
- finished ring [2] or disc plate [3]
- adjustable connection [4]
- insulation [5]
- wall connection to be fitted [6]
- connection chamber to the flue with supports [7]
- telescopic duct [8]
- convection column [9]
- console [10]
- stove [11]
- finished air inlet [12] (for outside air connection under the stove)
- open-fire valve [13]

Basic equipment

The other parts are optional.

Some options are compulsory.



On taking delivery of the equipment

Please note

The guarantee only covers damage due to transport if it is notified within 48 hours of delivery and if it is mentioned on the delivery note.

Complaints

If you have a complaint to make, always indicate the no. of the stove, which can be seen when you open the panel with the stove in the closed-door position.



Tool requirements

- claw hammer,
- drill, bits and pins suitable for the material from which the wall and ceiling are made,
- screw gun with PZ heads
- square
- level
- size 3 and 4 Allen keys
- keys for screws with hexagonal heads 6, 7 and 8
- disc saw or jigsaw

A chemical attachment kit is available as an option.



The wall and the ceiling

Ensure that the wall is strong enough to support the stove. If it is made of a combustible material, install the "insulating" kit. If the ceiling or its structure is made of combustible materials, please adhere to the applicable regulations.

Measure the verticality of the wall.

The stove can be installed provided the verticality of the wall is not out by more than 7 mm in one direction or the other.

Draw the symmetrical axis of the stove onto the wall using a square [photo 1].

The smoke flue

Recommendation

Ensure the flue's dimensions meet local regulations and the applicable installation standards in line with good practice.

Basic information

For good draught, the stove must be suited to the flue (or vice versa).

An oversized flue is as detrimental to the smooth operation of the stove as an undersized flue. At www.stuv.eu > questions – answers you will find a simplified method to determine the specifications of the flue depending on the type of stove.

The flue should be as straight as possible and insulated to encourage the draught and prevent condensation. The ideal solution is a flue built inside the building and thermally insulated. An outside flue without any insulation must be avoided.

The stove must never be connected to a smoke flue serving several systems.

Openings

- Diameter of the flue: 180 mm
- Creating an opening in the wall for the smoke flue: [figure 1].
- Creating an opening in the ceiling for the smoke flue: [figure 2]

The convection column [figure 3] is part of the stove and also emits some of the heat it produces. It must not be cut by more than 60 cm.

Minimum height beneath ceiling: 2.30m. See dimensions page 5

Combustion air inlet

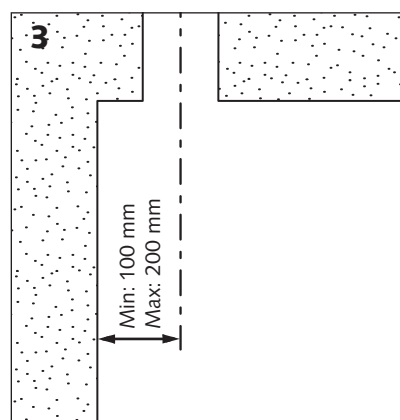
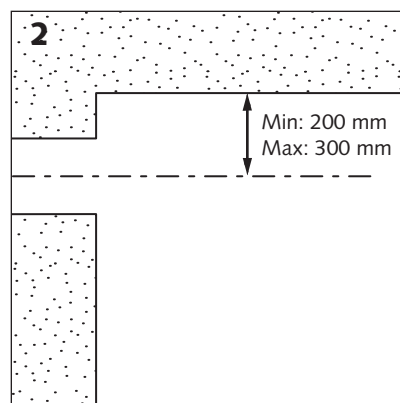
The Stûv 30-up is designed to draw the air required for combustion directly from outside. This is obligatory in some countries. We recommend it

If the stove is not connected directly to the outside air...

...ensure that the room is well ventilated: the stove requires air for combustion (in particular when working in open fire mode). Ensure there is always sufficient fresh air when the stove is in operation. Ideally create an air inlet from a ventilated space, a ventilated room or from outside.

Pay attention to air extraction systems (kitchen hoods, air conditioning, mechanically-controlled ventilation, other stoves) in operation in the same space or in an adjacent room. They may prevent the stove from working correctly (risk of back-draught).

Minimum diameter of air inlet: 63 mm with fire closed. This figure is an approximate guide. Please refer to the applicable local or national standards and regulations.



Direct connection of the stove to outside air

The combustion air is controlled in 3 ways:

The outside vent

[figure 4-a] and [photo 5] prevents the house from becoming cold when the stove is not in use. This vent can be controlled from inside provided it is not too far away from the stove. It must be protected by a grill, [figure 4-c] which has a section of free passage of at least 200 cm². It is installed as close as possible to the outside to restrict heat loss. The distance between the two valves does not matter. Be aware of pressure loss if the intake duct is too long. Compensate with a greater diameter and/or smoother tubing.

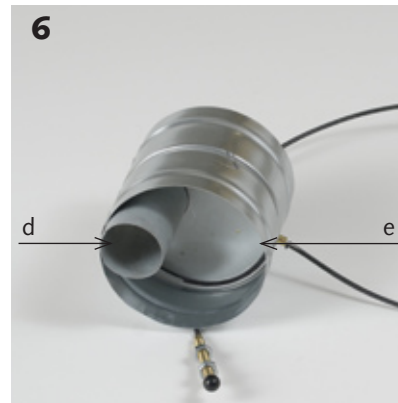
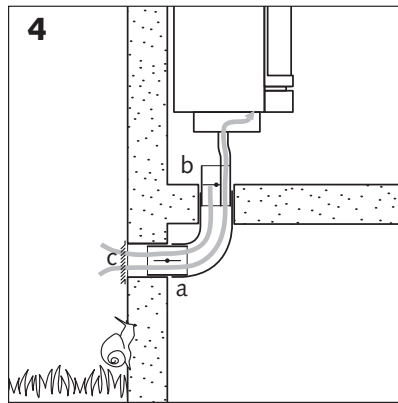
An "open fire" valve

[figure 4-b] and [photo 6] designed to increase outside air intake when the stove is working in open fire mode and therefore using lots of air. This valve is particularly useful in energy-efficient homes. It is installed behind or under the stove and its control is fitted under the stove.

3 installation possibilities: the outside air duct comes out of either:

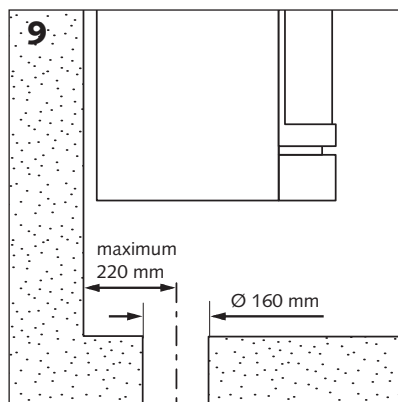
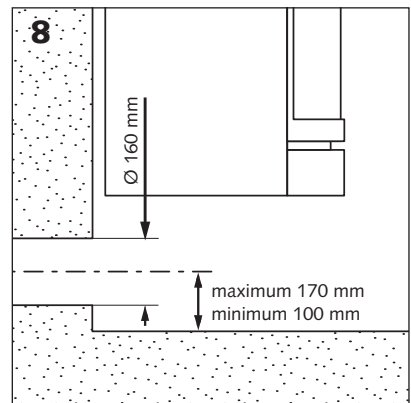
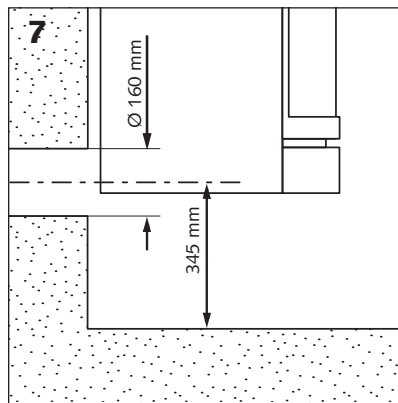
- the wall, behind the console [figure 7] The valve is fitted at the back of the wall (if necessary use a duct extension 160 mm in diameter as this ends flush with the wall).
- the wall, under the console [figure 8]
- the floor [figure 9] the stove is fed by a duct 63 mm in diameter.

The valve of the stove enables fine regulation of air intake to control combustion with the stove closed.



[d] connection for air feed with closed fire

[e] valve which can be opened to compensate for significant consumption of room air by the stove in open fire mode



Unpacking and preparation of the stove

Please note The paint is not oven baked and is therefore relatively fragile but will harden after being heated a few times. Handle the system with care when installing.

Take out the convection column and all of the accessories in the back of the stove.

The palette is made up of 2 parts. Remove the one holding the accessories.

To unpack the stove:

- remove the fasteners from the 4 corners of the box [photo 1].
- remove the stove box.

Checking the contents

The stove comes with:

- the convection duct and the telescopic duct
- 10 wedges – spray paint
- installation instructions and directions for use in your language
- the connection set (n° 1 to 6° depending on your order)
- other accessories ordered.

Preparing the stove

Lift the upper plate [photo 2].

Unscrew the 2 M5 rounded screws with a size 3 Allen key and take off the panels [photos 3 and 4].

Also remove the convection column support held by these 2 screws [photo 5].

Remove the upper finished section of the console [photo 6].

Supporting the console, unscrew 1 screw from each side (key 8) [photo 7], lower the console and then remove it [photo 8].

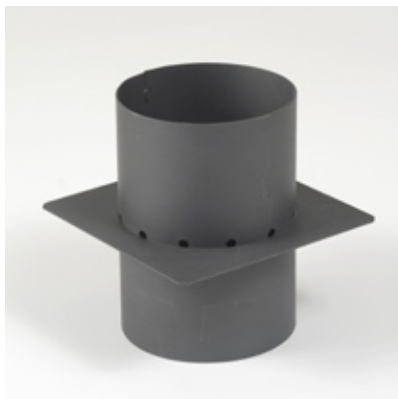


Accessories for the connection to the smoke flue

Stûv offers a range of accessories to connect the Stûv 30-up to the smoke flue.

Flue union

> adjustable connection



standard disc plate (220 mm)

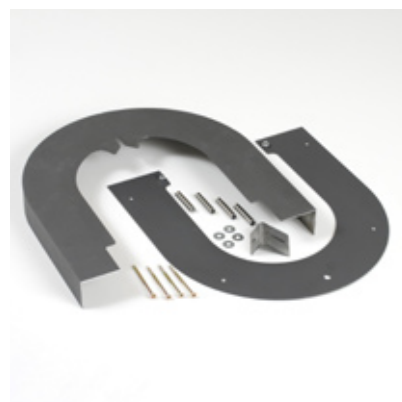
> standard chamber for connection to the smoke flue (width 220 mm).

For cases where the chamber houses double-walled insulated flue elements, there is a wider chamber and disc plate (300 mm).



Fitted wall connection

> finished ring and accessories (for use where the union or an insulated metal duct extends slightly from the ceiling)



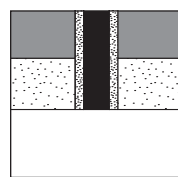
90° elbow (more compact than the adjustable connection)

> Ø 180 duct to be cut (to go through a thick wall)



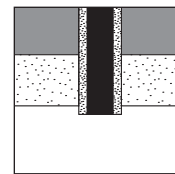
There are 6 configurations for which Stûv has provided 6 "connection sets."

Always comply with the applicable regulations on safety distances.



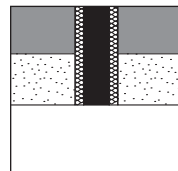
Configuration n° 1

Connection to a union flush with or slightly set into the ceiling



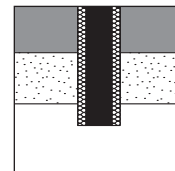
Configuration n° 2

Connection to a union extending beyond the ceiling (5 cm maximum)



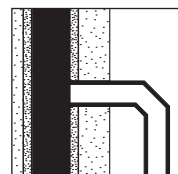
Configuration n° 3

Connection to a metal insulated duct flush with or slightly set into the ceiling



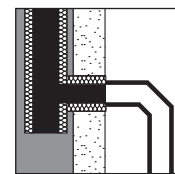
Configuration n° 4

Connection to an insulated metal duct extending beyond the ceiling (15 cm maximum)



Configuration n° 5

Back connection to a union or a brickwork flue



Configuration n° 6

Back connection to an insulated metal duct extending beyond the wall (1 cm maximum)

Configuration 1

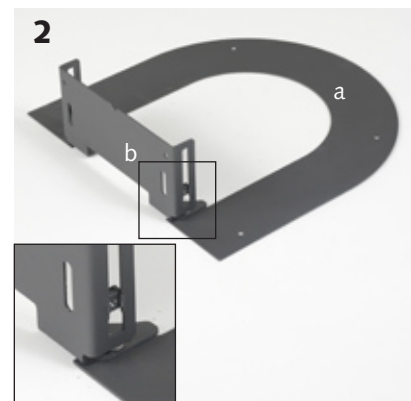
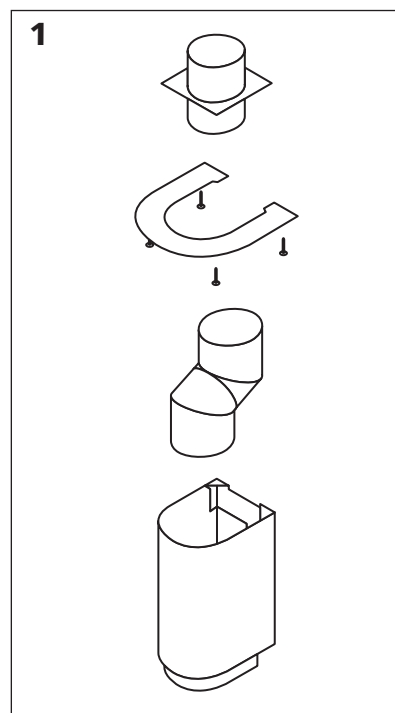
Connection to a flue union flush with or slightly set into the ceiling.

Connection set n°1 [figure 1] is made up of:

- 1 Ø 180 flue union
- 1 x 220 mm disc plate with screws
- 1 Ø 180 adjustable connection
- 1 x 220 mm connection chamber with supports

Assemble the ceiling disc plate [a] and the upper support of the connection box [b] aligning the back part of the disc plate and the vertical back part of the support [photo 2].

Position all of this on the ceiling. Ensure the back of the disc plate is tight against the wall (otherwise a wedge is required to compensate where the wall is not vertical) and the upper support of the chamber is centred on the axis of the duct [photo 3]. Mark the 4 holes of the disc plate, and the "V" of the support.



Drill and position the pins (4 in the ceiling and 1 in the wall, in the "V"). Put a screw into the "V". Do not screw tight.

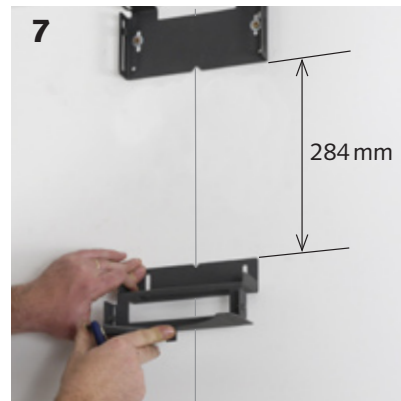
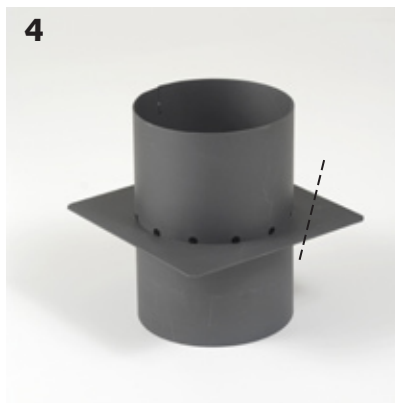
With a union the side of which is less than 3.5 cm from the wall, a corner of the flue union has to be cut [photo 3]. Leave 1 cm of material if possible.

Place everything (disc plate + support + flue union) on the screw [photo 5]. Please note: The flue union has to be positioned with the holes to allow condensation to escape facing upwards. Fix to the ceiling. Use the black screws with countersunk heads [photo 6].

Fix to the wall. If necessary, use wedges to compensate if the wall is not vertical.

Fix the lower chamber support 284 mm from the upper support [photo 7].

Go to page 17.



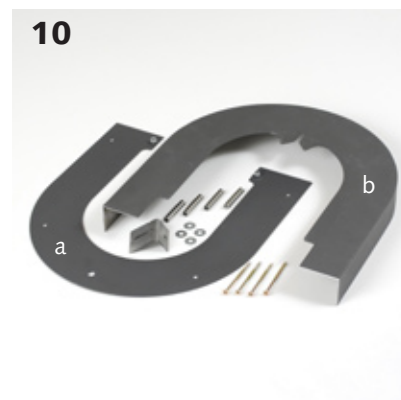
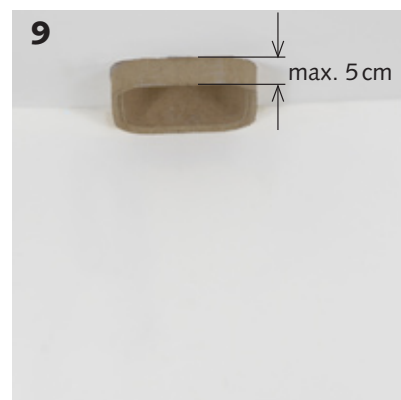
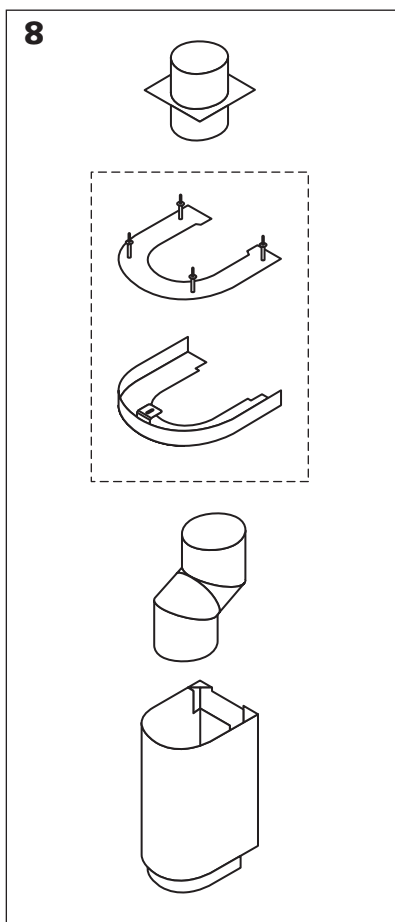
Configuration 2

Connection to a flue union extending beyond the ceiling (5 cm maximum).

Connection set n°2 [figure 8] is made up of:

- 1 Ø 180 flue union
- 1 finished ring [photo 10] made up of the ring support [a] and the ring itself [b]
- 1 Ø 180 adjustable connection
- 1 x 220 mm connection chamber with supports

The union must not extend beyond more than 5 cm. Cut it if necessary.



Assemble the ring support [photo 11-a] and the upper support of the connection piece [c] aligning the back part of the disc plate with the vertical back part of the support.

Position it all against the union [photo 12]. Mark the position of the fittings to the ceiling and the "V" on the wall at the centre of the support. Consider whether wedges may be required to ensure verticality.

Measure the distance [d] between the ceiling and the ring support [photo 12] to determine the length of the tubular spacers [photo 13-a]. If necessary, cut the tubular spacers.

Get the ring support ready by inserting the screws into the 4 holes, then the spacer then the washer [photos 13 and 14].

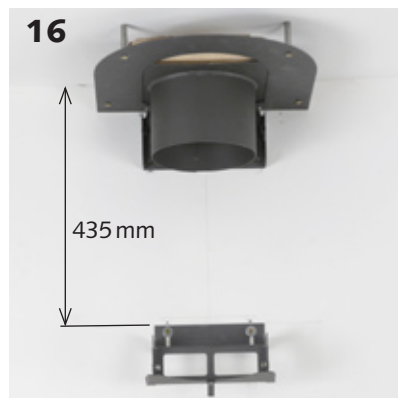
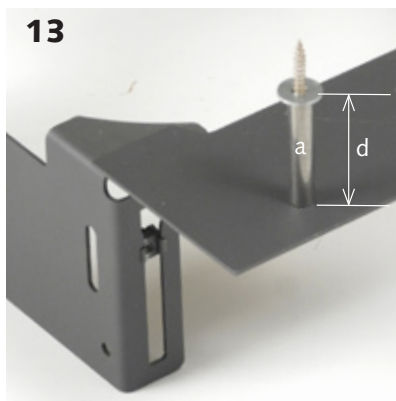
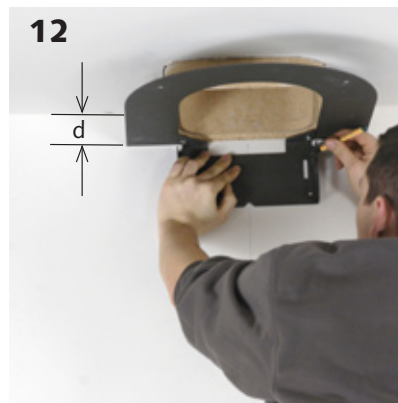
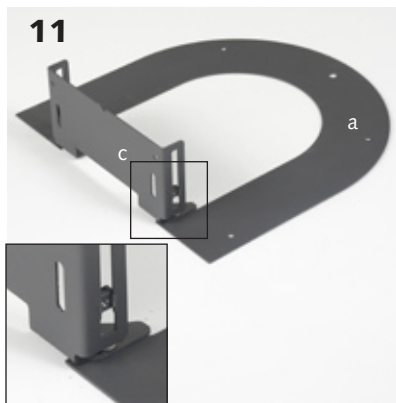
Drill and position the pins (4 in the ceiling and 1 in the wall, in the "V"). Put a screw into the "V"; do not screw tight.

Place everything (ring support + chamber support + flue union) on the screw [photo 15]. Please note: The flue union has to be positioned with the holes to allow condensation to escape facing upwards.

Fix to the ceiling then to the wall.

Fix the lower chamber support 435 mm from the ceiling [photo 16].

Go to page 17.

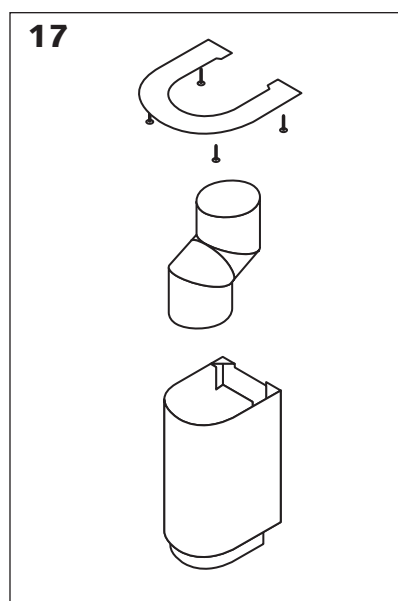
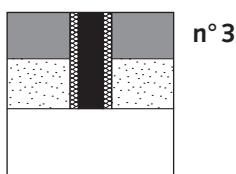


Configuration 3

Connection to a metal insulated flue flush with or slightly set into the ceiling

Connection set n°3 [figure 17] is made up of:

- 1 x 220 mm disc plate with screws
- 1 Ø 180 adjustable connection
- 1 x 220 mm connection chamber with supports

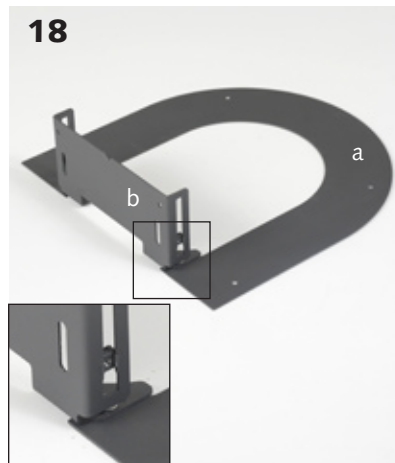


Assemble the disc plate [photo 18-a] and the upper support of the connection chamber [18-b] aligning the back part of the disc plate and the vertical back part of the support.

Fix to the ceiling; use the black screws with countersunk heads - [photo 19]. Fix to the wall. If necessary, use wedges to compensate if the wall is not vertical.

Fix the lower chamber support 284 mm from the upper support [photo 19].

Go to page 17.



Configuration 4

Connection to an insulated metal flue extending beyond the ceiling (15 cm maximum).

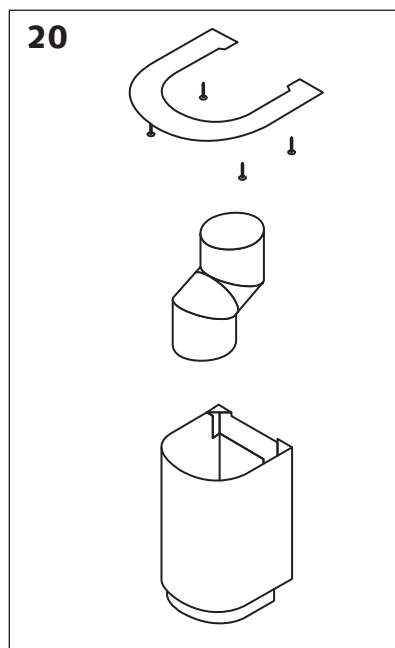
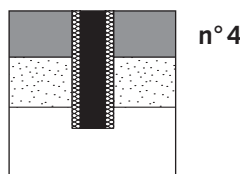
If the flue extends by less than 5 cm: configuration 2 with the standard connection chamber (220 mm) is possible (see page 13).

Connection set n°4 [figure 20] is made up of:

- 1 x 300 mm disc plate with screws,
- 1 x 300 mm connection chamber with supports,
- 1 x Ø 180 adjustable connection.

Configuration 4 is installed in the same way as configuration 3 but with a disc plate and a wide chamber (see above).

Go to page 17.



Configuration 5

Connection through the wall to a brickwork flue.

Connection set n°5 [figure 22] is made up of:

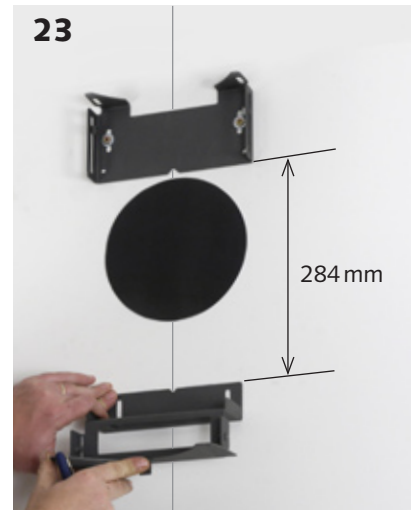
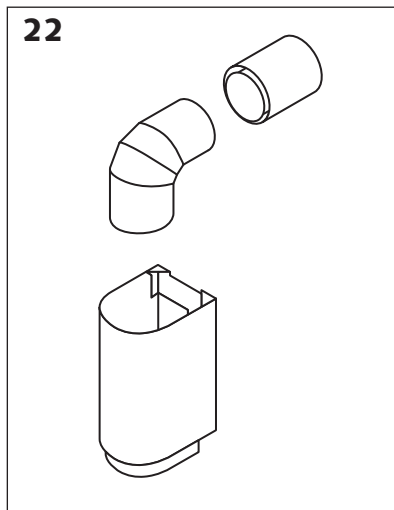
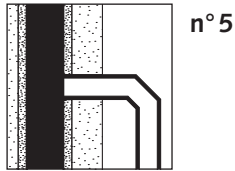
- 1 x Ø 180 fitted wall connection,
- 1 x Ø 180 adjustable connection
- 1 x 220 mm connection chamber with supports

Embed the cylinder [photo 24] into the wall. If necessary, this can be extended with a 180 mm stainless steel duct [photo 25] to be ordered as an option.

Attach the connection chamber supports [photo 23]. If necessary, use wedges to ensure the verticality of the wall.

If the chamber is close to the ceiling, install a standard 220 mm disc plate (to be ordered separately) to protect the ceiling from dirt produced by the convection air.

Go to page 17.



Configuration 6

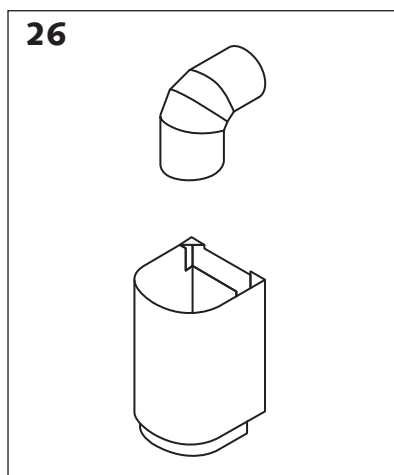
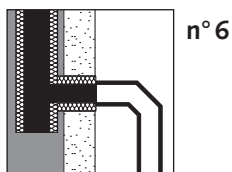
Connection through the wall to a metal insulated flue.

Connection set n°6 is made up of:

- 1 x 300 mm connection chamber with supports,
- 1 x 90° Ø 180 mm elbow [photo 27].

Attach the connection chamber supports [photo 23]. If necessary, use wedges to compensate if the wall is not vertical.

If the chamber is close to the ceiling, install a 300 mm disc plate (to be ordered separately) to protect the ceiling from dirt produced by the convection air.



Fitting the console

Draw a horizontal line 98.8 cm from the ground (to align the upper part of the console) [photo 1] and attach the console using one of the two central holes.

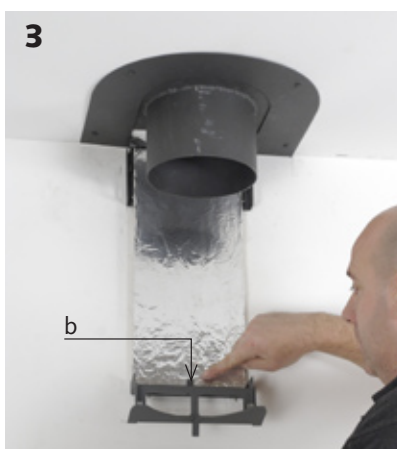
Position the console level and at the right height and get the fittings ready.

Please note that if you want to insert the insulating kit (where the wall is made up of combustible materials), the heads of the screws or other means of attachment cannot extend beyond 1 cm.

The installation engineer will make sure that the strength of the wall and the attachments is sufficient:

- to bear the weight of the stove and its accessories,
- to resist shock caused by the rotation of the drum.

Ensure verticality between the console and the wall [photo 2] by using the wedges [a] supplied with the stove if necessary. Please note: The console and the connection chamber supports must be on the same vertical plane. Ensure the console is vertical and attach at as many points as necessary.



If the stove is fixed to a wall made up of combustible materials...

... you will have ordered an insulating kit with your stove.

The metal side must face the source of the heat.

The 430 x 186 mm insulating panel is placed between the connection chamber supports [photo 3]. Straighten the lip piece [b] to hold the panel. The 536 x 160 mm insulating panel goes into the console [photo 4]. Slide the upper part behind the metal plate of the console; position the bottom onto the lip piece [c]. Bend the lip piece to immobilise the panel.

The insulation of the flue is carried out at a later stage.

If the stove is fed with outside air via a flue coming from behind the stove

Assemble at the back. Connect the flexible duct [photo 5] and check the valve is working correctly before installing the stove on its console!

If the stove is fed with outside air via a flue coming from beneath the stove

An air inlet chamber is required [photo 6-a]. Attach the support for this chamber under the console [photo 6-b].

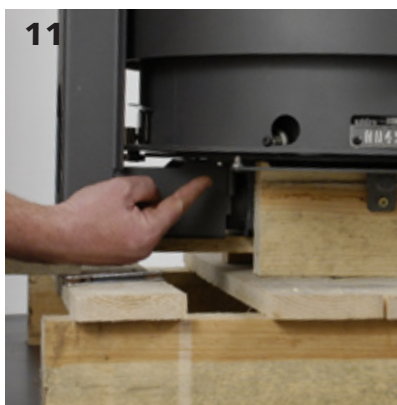
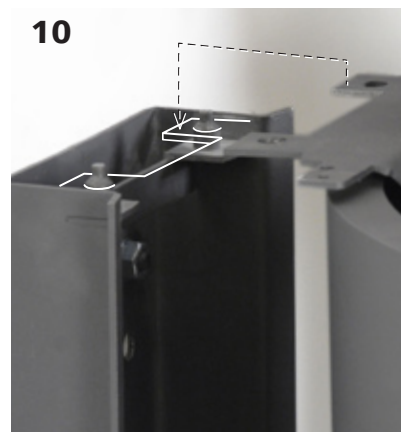
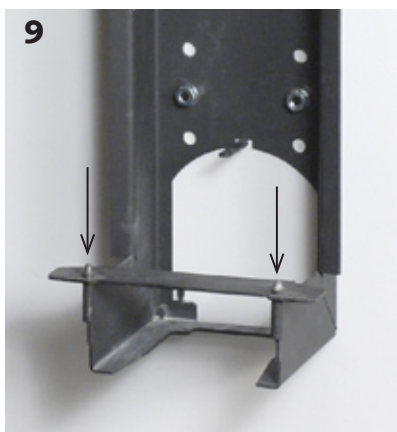
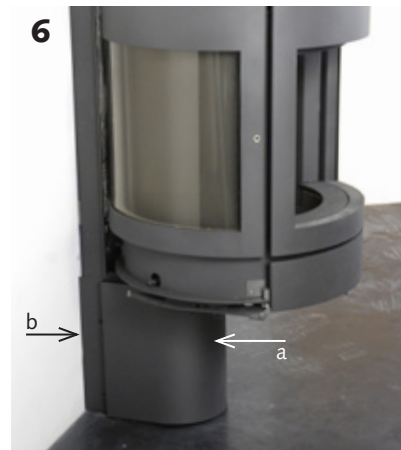
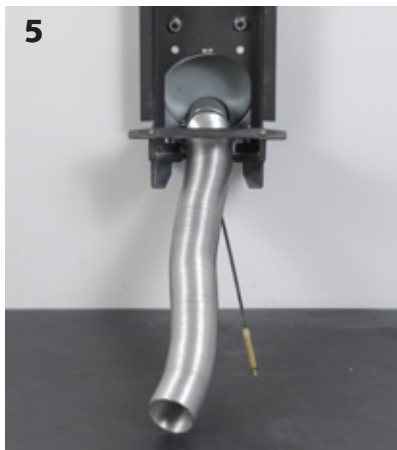
Positioning the stove

Remove the 2 screws [photo 7-c] holding the stove on its palette.

When moving the stove, carry it by the 2 panel supports and the smoke outlet [photo 8]. Using a pallet loader or a lift hand truck, place the stove on the console.

Place the bottom of the stove on the lower lugs [photo 9]. Lower fully at the back. Check the upper attachment: The stove's eyelets must be properly positioned onto the lugs of the console. The conical part of the lugs must be completely visible. [photo 10] If necessary, slightly bend the ends to lower the eyelets.

To ensure correct positioning, re-screw the 2 M5 screws with hexagonal heads to secure the stove on the console beneath the stove.

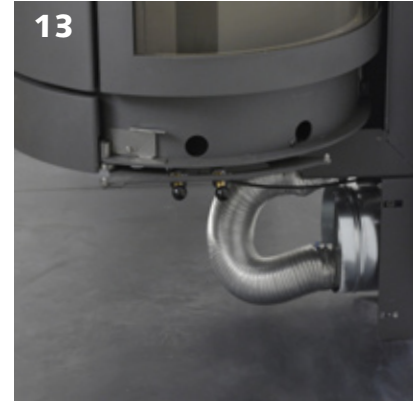


Connection of the outside air flue under the stove

After positioning the stove, install the closure valve(s) if this has not already been done.

Connect the flexible air intake to the stove [photo 13].

Attach the outside air finishing piece [photo 14].



Connection to the flue

Installation of the duct

The telescopic duct is packed with the convection column. Position the telescopic duct in the stove outlet (in the direction of the condensate, therefore the outside part facing down). Attach the bottom of the flue [photo 1].

If the wall is made of combustible materials, place the arched stainless steel screen [photo 2] at the back of the base of the connection duct. This screen is supplied with the insulating kit. Move it as far away as possible from the smoke outlet. This prevents the heat radiating from the stove towards the wall [photo 3].

The adjustable connection allows you to create an elbow or a diversion [photo 4].





Assembly of the connection chamber

It is placed on the lower support. Attach it using 4 M5 rounded screws and a size 3 Allen key [photo 9].

Assembly of the finished ring

(for where the union or the metal insulated flue extends slightly from the ceiling - configuration 2)

Position the square [photo 11]; align it on the edge of the ring support,

Slide the ring onto the upper edge of the connection chamber and attach with screws [photo 12].



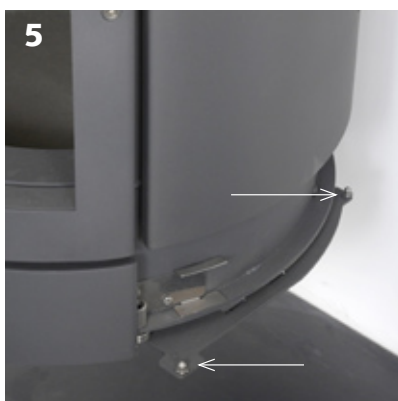
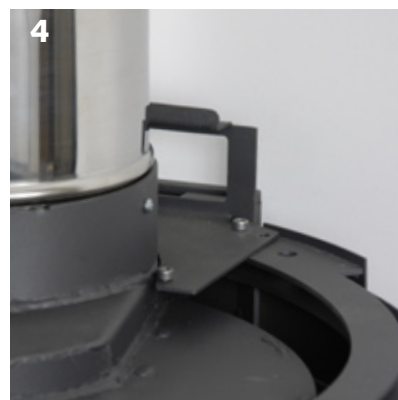
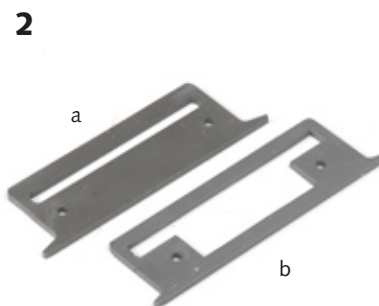
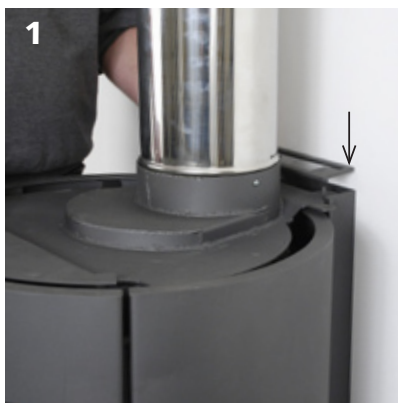
Refitting the stove

Position the upper finished part of the console [photo 1].

The finished part [photo 2-a] is supplied with the stove as standard.

The finished part [photo 2-b] is supplied with the insulating kit with the stove. It enables better cooling and should be used if the wall is made of combustible material.

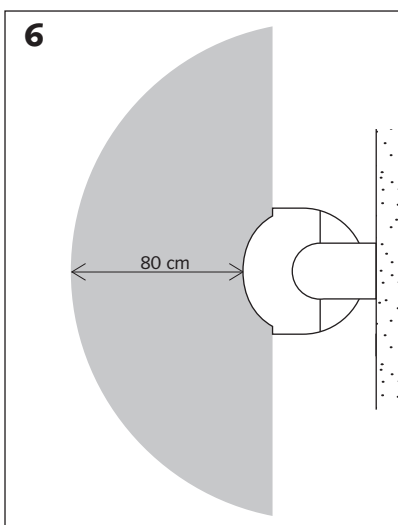
Position the convection column support [photo 3-c], put a panel under this support and attach everything using an 8 mm M5 screw and a size 3 Allen key. If the screw is longer than 8 mm, it can hamper the rotation of the drum. The bottom of the panel is positioned on the 2 lugs shown in photo [5].



The stove's environment

Observe all local and national implementation regulations.

Significant heat may be radiated from the glass and the walls of the stove. Ensure that the materials exposed to this radiation can resist the heat and adhere to the distances specified between the stove and inflammable materials [see page 3].



Inserting the convection column

It will probably be necessary to shorten the convection column. Its standard length is 1,428 mm.

Please note: The height of the column after shortening will still be at least 828 mm.

Determining the length to cut

Measure the height H.

In configurations 1, 2 and 4 (see page 12), H = the height under the ceiling. With a wall connection - configurations 5 and 6 - [figure 1], measure from the highest part of the connection chamber to the floor.

With a union extending from the ceiling (configuration 2) and therefore the finished ring option, measure the height from the lower face of the ring [figure 2].

Before cutting, the height H of the standard parts is 290 cm. Deduct the height measured from this figure to give how much to cut the parts by (the front and back parts of the convection column and possibly the insulating panel)

Example: with a measured height of 265 cm, cut each part by $290 - 265 = 25$ cm.

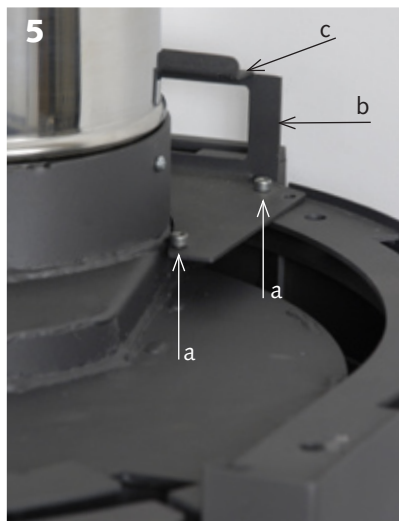
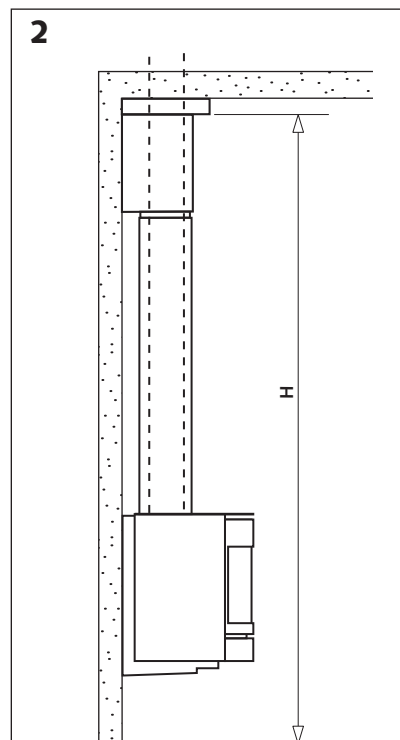
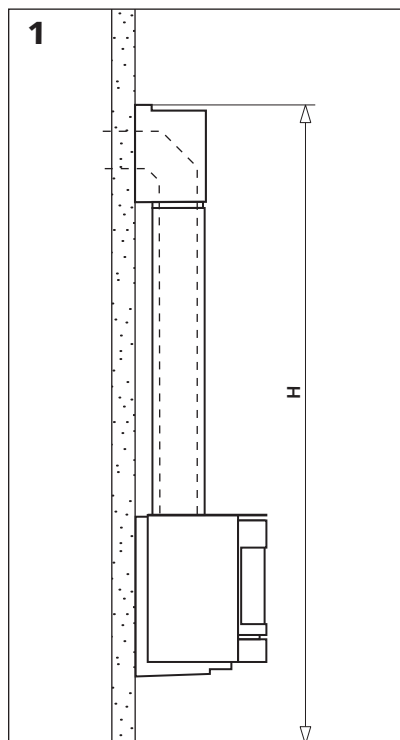
Cutting

Separate the two pieces of the convection column [photo 3]. The side illustrated in photo 3 must remain intact; the upper part of the column remains visible. Cut the other side by a maximum of 60 cm (otherwise the safety of the installation may be compromised). The cut will be hidden under the plate of the stove.

The 2 parts – front and back – of the convection column are not the same height. This is normal.

Positioning

Position the front part of the column, pulling open the sides when inserting [photo 4]. It is placed onto 4 screws with cylindrical heads [photo 5-a]. The folds at the back rest on them [b].



Above, the folds of the convection column are attached onto the back of the connection chamber support [photo 7].

If necessary, install the insulating panel of the convection column (dimensions 188 x 1347 mm). Cut this by the same amount as the other parts of the convection column.

Insert it at the back [photo 9] – metal side facing the source of the heat – and place on the support of the column [photo 10-c].

See [figure 8]

d telescopic duct

e convection column – front part

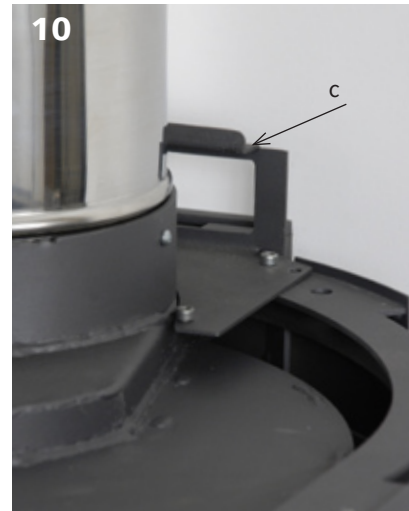
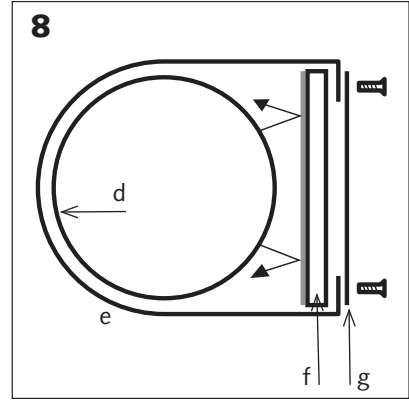
f insulating panel (metal part towards the flue)

e convection column – back part

Place the back metal sheet of the convection column in [10-c] and attach it using M5 screws with countersunk heads (Allen key size 3), the 2 screws on the right first, then the 2 screws on the left. This back part is vital.

Control the feeding of the convection column and the connection chamber using the set screw indicated [photo 11].

Position the upper plate [photo 12].



When the installation of the stove is complete...

...carry out a test to ensure it is working correctly.

Before this test, ensure no items involved in installation have been left in the combustion chamber or in the bends (spray paint, tubes of grease, tools).

When the fire is first lit, some smoke or odours may be produced: Ensure plenty of ventilation.

See directions for use.

Once installation is complete, return the directions for use to the user. Fill in the guarantee certificate with him/her (at the back of the directions for use) and advise him/her to return it to the manufacturer or importer.

PLEASE NOTE

As soon as this fireplace has been delivered, please check that the window has not broken in the course of delivery. The guarantee only covers damage due to transport if it is notified within 48 hours of delivery and if it is indicated on the delivery note.

Printed on 100% recycled paper

Installation instructions [en] Stûv 30-up

0209 - SN: 68718 > ...

Stûv stoves are designed and manufactured in Belgium by:

Concept & Forme sa – rue Jules Borbouse 4 – B-5170 Bois-de-Villers (Belgium) – info@stuv.eu – www.stuv.eu

Importers

UK: Jet Master Fires Ltd – Unit 2 - Peacock trading Estate, Goodwood Road – SO50 4NT Eastleigh – Hampshire
Tel.: 0870 727 0105 – jetmastersales@aol.com – www.jetmaster.co.uk

Finland: Ilkka Alatarvas OY – Pikkujärventie 4B – 01680 Vantaa – Tel.: 400 872 858 – www.takkamaailma.com

Sweden: Eldoform Sverige AB – Slipgatan 2 – 117 39 Stockholm – Tel.: 0707.883.53 – www.eldoform.se

Denmark: Stove APS – Aldershvilevej 84 – 2880 Bagsvaerd – Tel.: 51 33 10 93

Estonia: Tulering Kaminasalong OÜ – Soprusse 145 – 13417 Tallinn – + 372 56 249 004 – www.tulering.ee

Stûv reserves the right to make changes without prior notice. These instructions have been produced with the greatest of care. However, we do not accept responsibility for any errors that may have been made.

Editor: Gérard Pitance - rue Jules Borbouse 4 - 5170 Bois-de-Villers - Belgium

[nl] [de] [it] [es] [pt] [cz] [fr] >

To obtain this document in another language, please contact your distributor or visit www.stuv.eu