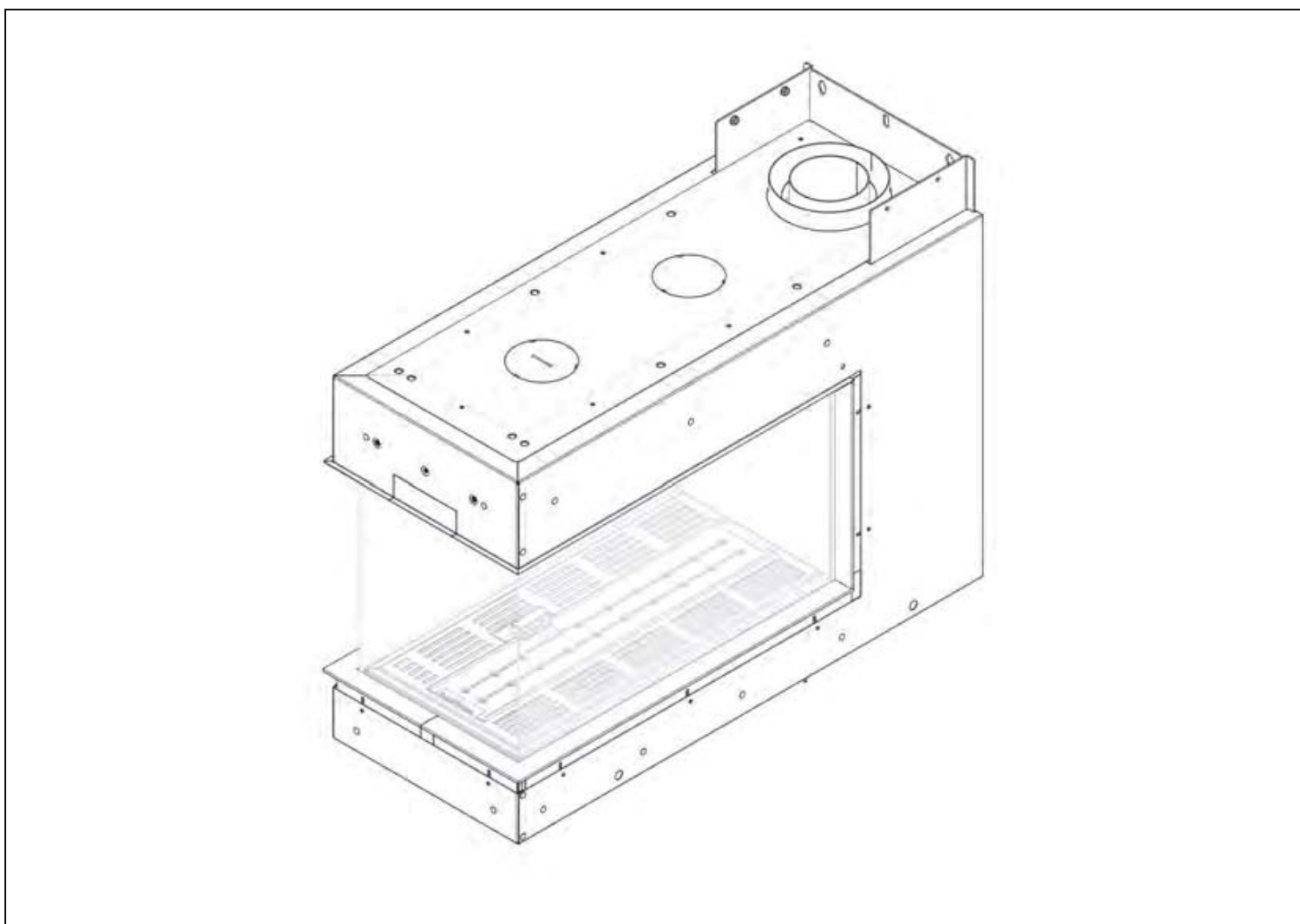


bellfires. ^{gas fires}

Installation and maintenance manual

Room Divider Medium 3 CF/LF/MF

Room Divider Medium 3 L/R CF/LF/MF



Serial number:

Production date:

© **Barbas Bellfires BV**

This document or parts thereof may not be reproduced, stored in a retrieval system, or transmitted, in any form or by any means, electronic, mechanical, photocopying, recording, nor otherwise, without the prior written permission of Barbas Bellfires BV. This document could contain technical inaccuracies or typographical errors. Barbas Bellfires BV reserves the right to revise this document from time to time in the contents thereof.

Contact information

Barbas Bellfires BV

Hallenstraat 17, 5531 AB Bladel, The Netherlands

Phone: +31 49 733 9200

E-mail: info@bellfires.com

Contents

1	About this document.....	6
1.1	How to work with this document.....	6
1.2	Warnings and cautions used in this document.....	6
1.3	Related documentation.....	6
2	Description.....	7
2.1	Intended use.....	7
2.2	Installation options.....	7
2.3	Overview of the appliance.....	7
2.4	Overview of the burner bed and the pilot light.....	9
2.4.1	MF double burner.....	9
2.4.2	LF double burner.....	10
2.4.3	CF double burner.....	11
2.5	Overview of the ceramic log set.....	11
2.5.1	Ceramic log set for the MagniFire burner.....	12
2.5.2	Ceramic log set for the Centre Fire / Line Fire burner.....	13
2.6	Overview of the control elements.....	15
2.6.1	Overview of the rear of the gas regulator block.....	15
2.6.2	Overview of the front of the gas regulator block.....	16
2.6.3	Overview of the connections on the gas regulator block.....	17
2.6.4	Overview of the receiver.....	18
2.6.5	Overview of the fan/light module.....	19
2.7	Installation options.....	19
2.8	Example of a typical installation.....	20
3	Safety.....	21
3.1	Safety devices on the appliance.....	21
3.2	Safety instructions for installation.....	21
3.3	Safety instructions with regard to the environment.....	22

4	Installation.....	23
4.1	Installation as built-in appliance.....	23
4.1.1	Install the appliance.....	23
4.1.2	Horizontally align the appliance.....	24
4.1.3	Make the gas connection.....	27
4.1.4	Make the electrical connection.....	27
4.2	Installation against a wall.....	27
4.2.1	Install the wall support frame.....	27
4.2.2	Install the appliance.....	28
4.2.3	Make the gas connection.....	29
4.2.4	Make the electrical connection.....	30
4.3	Do a check on the gas connections.....	30
4.4	Connect the concentric flue system.....	30
4.5	Install the flue gas restriction plate.....	30
4.6	Connect the convection set (optional).....	31
4.7	Build the fireplace.....	32
4.8	Put the operating unit in position.....	32
4.9	Install the mantle iron (optional, only for built-in installation).....	33
4.10	Fitting the natural stone plateau.....	34
5	Prepare the appliance for use.....	36
5.1	Do a check on the overpressure hatches.....	36
5.2	Do a check on the operation of the lighting (MagniFire - MF only).....	36
5.3	Put the ceramic log set on the burner bed.....	36
5.3.1	MagniFire (MF) ceramic log set	36
5.3.2	Centre Fire (CF) / LineFire (LF) ceramic log set	38
5.4	Put the pebbles on the burner bed (option, only for CF/LF burner).....	41
5.5	Do a final check on the fireplace.....	42
6	Maintenance.....	43
6.1	Annual maintenance.....	43
6.1.1	Clean the fireplace.....	43
6.1.2	Do a check on the appliance.....	44
6.2	Maintenance procedures.....	44
6.2.1	Remove the glass panes.....	44
6.2.2	Install the glass panes.....	46
6.2.3	Clean the glass.....	47
6.2.4	Replace the ambient light bulb when broken (MF only).....	47
7	Troubleshooting.....	49
8	Technical specification.....	50
8.1	Room Divider Medium 3 (L/R) (Centre Fire)	50
8.2	Room Divider Medium 3 (L/R) (Line Fire).....	51
8.3	Room Divider Medium 3 (L/R) (MagniFire).....	53
8.4	Diagram electricity and gas.....	55
8.5	Dimensions of the restriction plate.....	56

9	Dimensions.....	57
9.1	Roomdivider Medium 3 - without frame.....	57
9.2	Roomdivider Medium 3 - hidden door.....	58
9.3	Roomdivider Medium 3 - hidden door + 10 cm frame.....	59
9.4	Roomdivider Medium 3 - with wall support frame.....	60
9.5	Roomdivider Medium 3 left - without frame.....	61
9.6	Roomdivider Medium 3 left - hidden door.....	62
9.7	Roomdivider Medium 3 left - hidden door + 10 cm frame.....	63
9.8	Roomdivider Medium 3 right - without frame.....	64
9.9	Roomdivider Medium 3 right- hidden door.....	65
9.10	Roomdivider Medium 3 right - hidden door + 10 cm frame.....	66
9.11	Operating unit.....	67
10	Warranty Terms.....	68
11	EU-Declaration of Conformity.....	70

1 About this document

This document shows the necessary information to do these tasks on the :

- Installation
- Maintenance

This document refers to the as 'the appliance'. This document is an essential part of your appliance. Read it carefully before you do work on the appliance. Keep it in a safe place.

The original instructions of the document are in English. All other language versions of the document are translations of the original instructions. It is not always possible to provide a detailed illustration of every single item of the equipment. The illustrations in this document show a typical setup. The illustrations are for instructional use only.

1.1 How to work with this document

1. Make yourself familiar with the structure and content of the document.
2. Read the safety chapter in detail.
3. Make sure that you understand all the instructions.
4. Do the procedures completely and in the given sequence.

1.2 Warnings and cautions used in this document

Warning



If you do not obey these instructions, there is a risk that can cause personal injury or death.

Caution

If you do not obey these instructions, there is a risk of damage to the equipment or to property.

Note

A note shows more information.

Symbol	Description
	Visual sign that there is a hazard
	Visual sign that there is a notice

1.3 Related documentation

- Preparation manual
- Installation and maintenance manual
- User manual

2 Description

2.1 Intended use

The appliance is intended for use in a completely sealed or mechanically ventilated house without extra ventilation and/or fume extraction to heat the room wherein it is installed. Do not use it for other purposes.

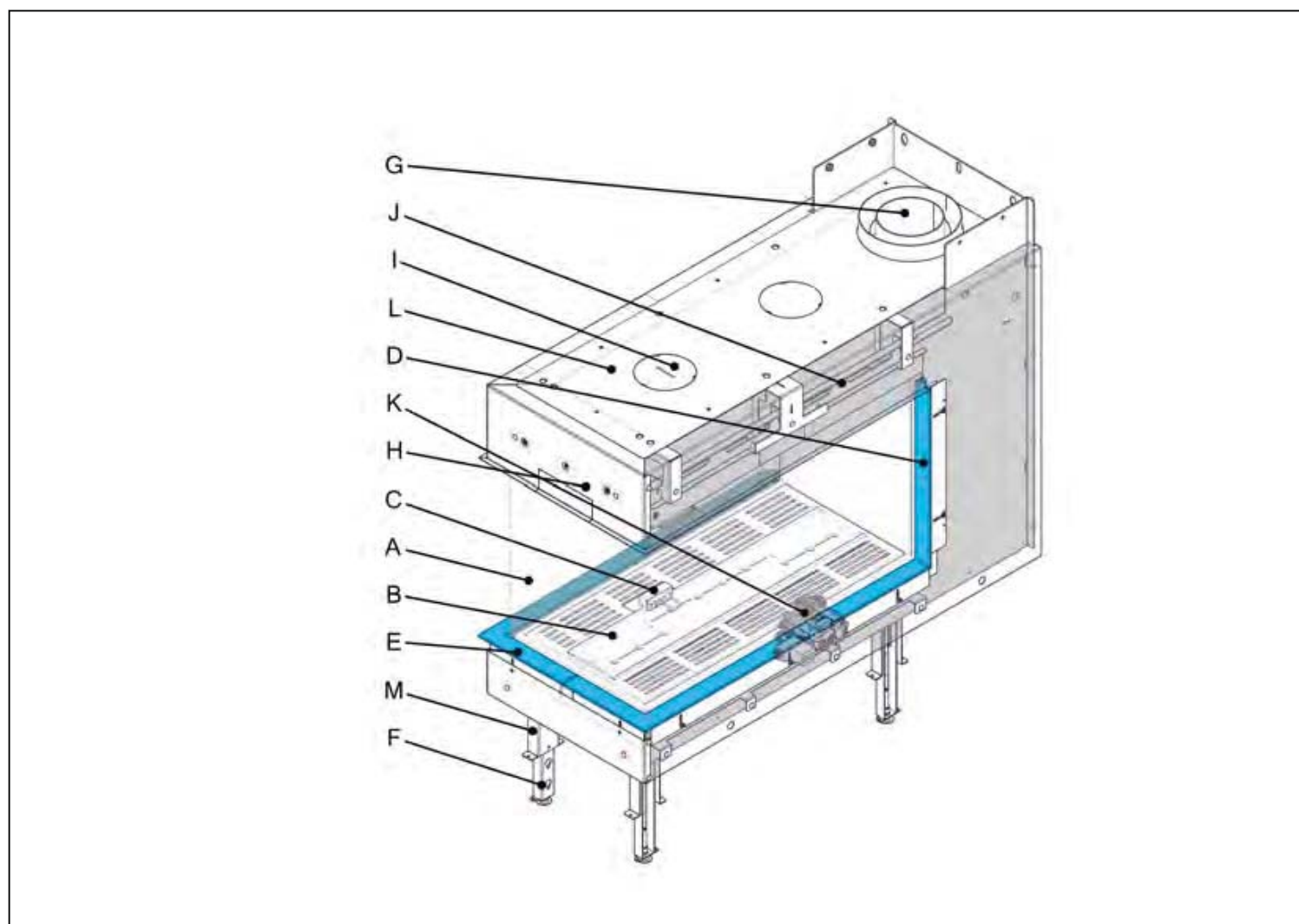
The appliance may only be used at a location that meets the requirements for the installation of the appliance. Refer to the preparation manual.

2.2 Installation options

The appliance is supplied with a Centre fire burner, a Line fire burner or a MagniFire burner. The type of burner determines the flame image of the appliance.

- The appliance can be installed with a convection package. The convection package collects the heated convection air from the appliance and releases this air into the room. The convection package consists of the convection casing which will be installed on the appliance from the factory and the convection set.
- The appliance can be installed as a built-in appliance or as against a wall by means of a wall support frame.
- A receiver adapter can be used to power the receiver. If a receiver adapter is used, the receiver does not require batteries to function.

2.3 Overview of the appliance

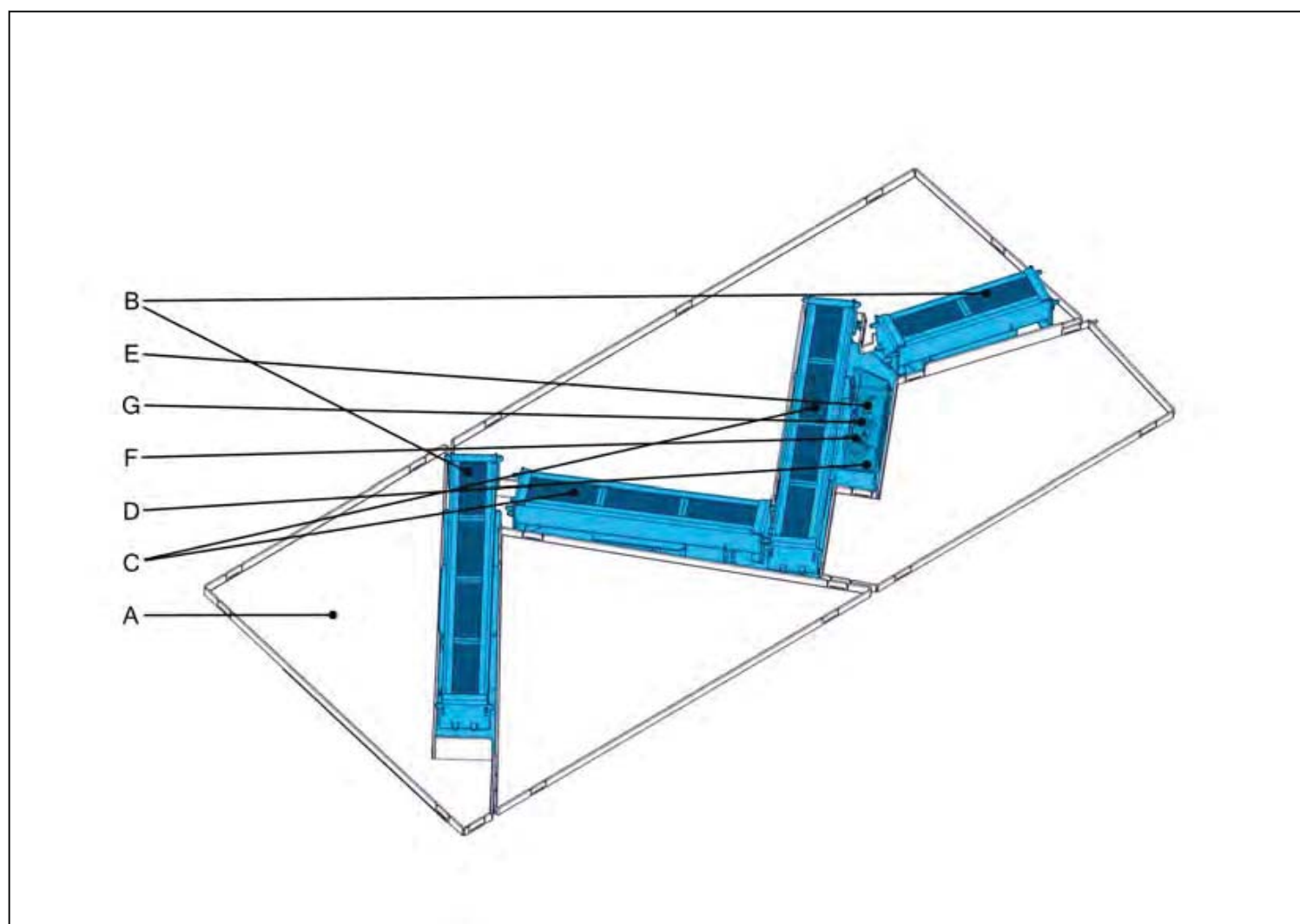


	Item	Description
A	Glass	The heat resistant glass keeps the flue gases inside the appliance and closes the combustion chamber off

	Item	Description
B	Burner bed	Top side of the gas burner and grate
C	Pilot light burner	Provides a pilot light
D	Side panels	2 decorative steel panels on the left side and right side (not visible in the picture) of the appliance
E	Front panels	2 decorative steel panels surrounding the underside of the glass panels
F	Extended adjustable feet	4 adjustable feet at the bottom of the appliance (only for built-in installation)
G	Concentric flue connection	The connection to the concentric flue system that provides combustion air and extracts the flue gases
H	Inlet opening convection air	An inlet opening in the front of the appliance which is connected to the convection casing
I	Outlet opening convection air	An outlet opening in the front of the appliance which is connected to the convection casing
J	Overpressure hatches	Protects the appliance against an overpressure
K	Operating unit	Contains the gas regulator block, receiver and the light module
L	Convection casing	Collects the heated convection air. The convection air has a natural upward flow and is extracted by the upper front side openings of the appliance
M	Extended feet holder	4 extended feet holders for the extended adjustable feet (only for built-in installation)

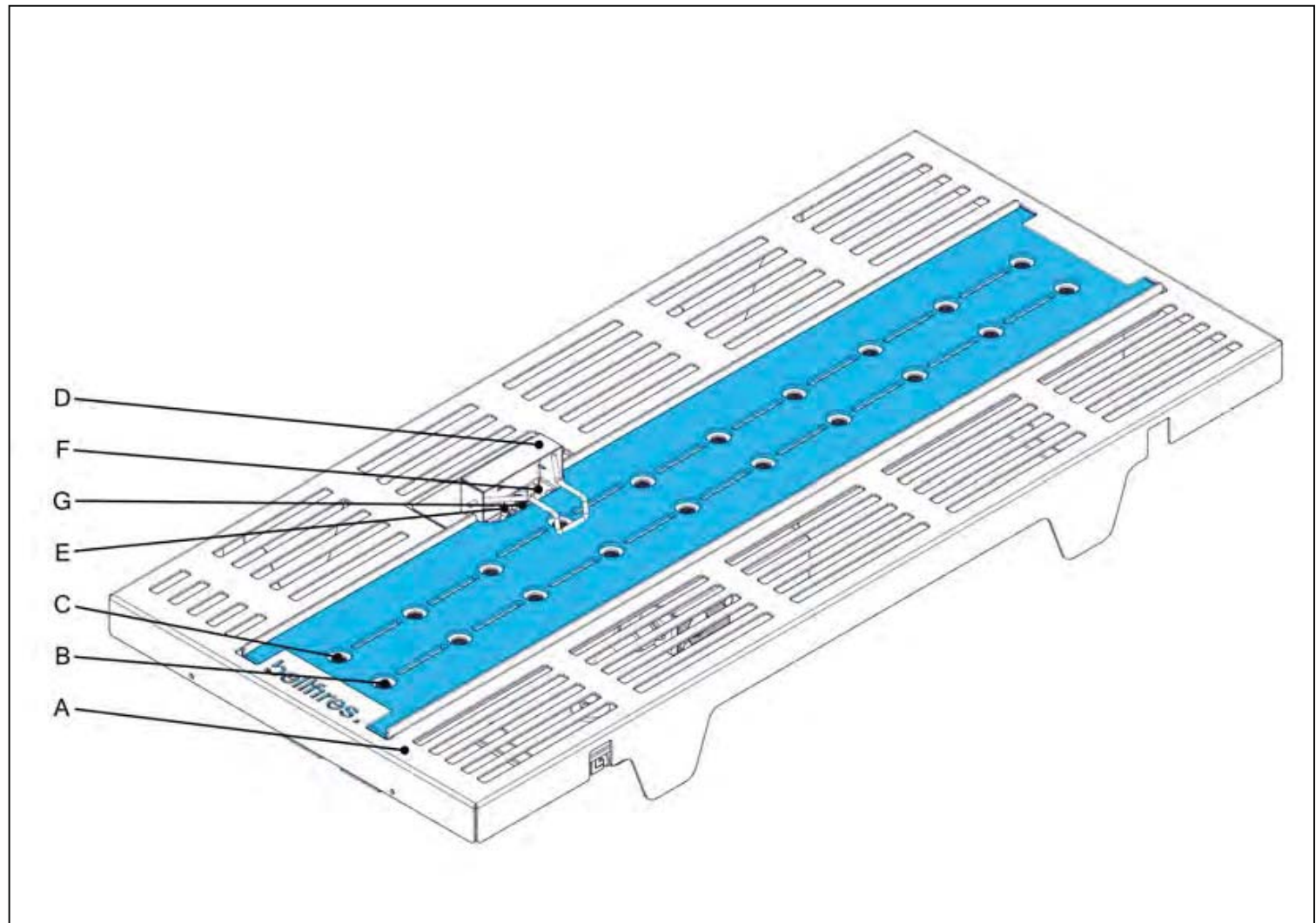
2.4 Overview of the burner bed and the pilot light

2.4.1 MF double burner



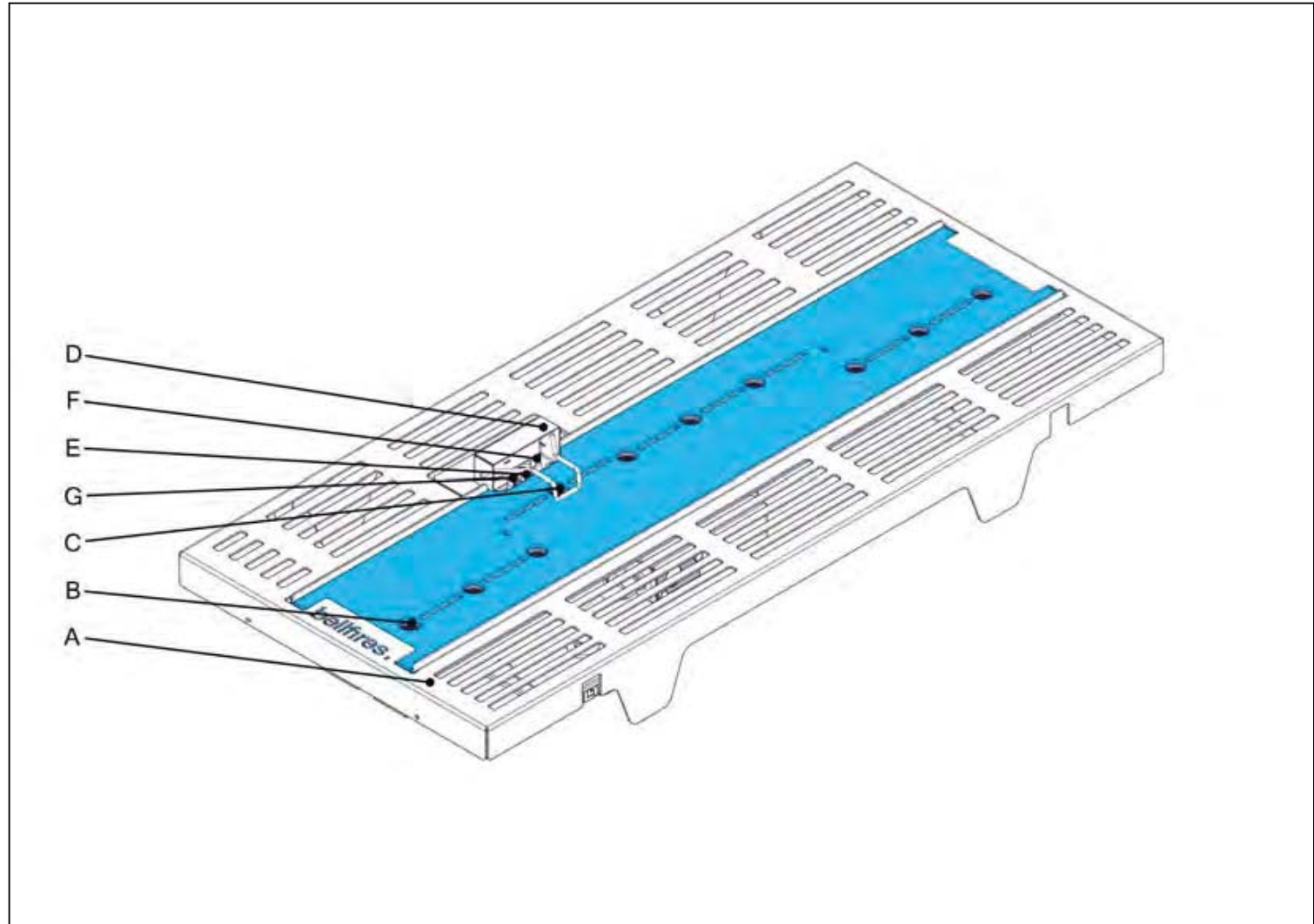
	Item	Description
A	Grate	Combustion air gets in the combustion chamber through the grate around the main burner
B	Main burners 1 and 4	Supplies the gas for the left and right main fires
C	Main burners 2 and 3	Supplies the gas for the two middle main fires
D	Pilot light outer casing	Protective cover for the pilot light
E	Pilot light burner	Supplies the gas for the pilot light
F	Thermocouple	Detects if the pilot light is on
G	Ignition electrode	Supplies a spark to ignite the pilot light

2.4.2 LF double burner



	Item	Description
A	Grate	Combustion air gets in the combustion chamber through the grate around the main burner
B	Main burner, rear	Supplies the gas for the main rear fire
C	Main burner, front	Supplies the gas for the main front fire
D	Pilot light outer casing	Protective cover for the pilot light
E	Pilot light burner	Supplies the gas for the pilot light
F	Thermocouple	Detects if the pilot light is on
G	Ignition electrode	Supplies a spark to ignite the pilot light

2.4.3 CF double burner



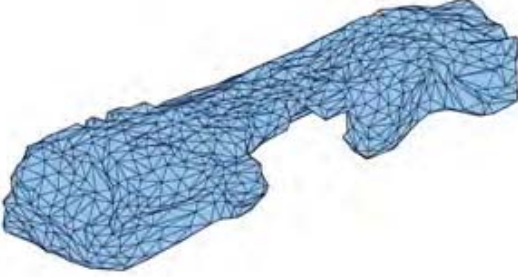

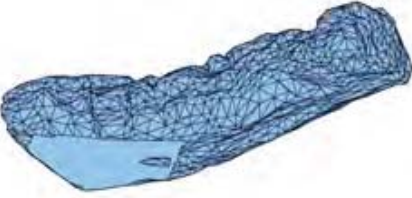
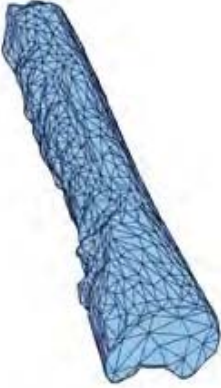
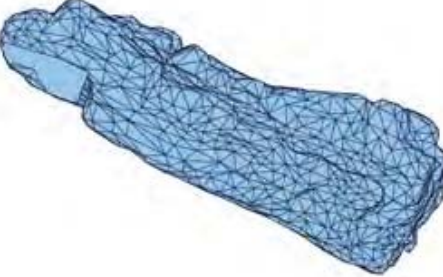

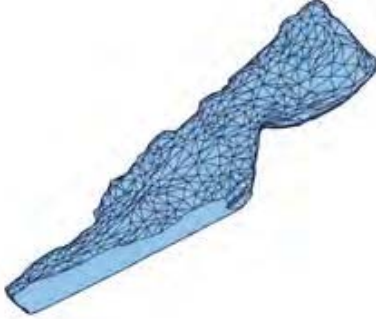
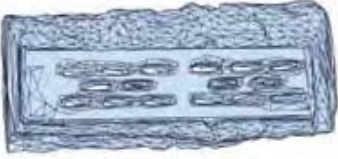
	Item	Description
A	Grate	Combustion air gets in the combustion chamber through the grate around the main burner
B	Main burner, rear	Supplies the gas for the main rear fire
C	Main burner, front	Supplies the gas for the main front fire
D	Pilot light outer casing	Protective cover for the pilot light
E	Pilot light burner	Supplies the gas for the pilot light
F	Thermocouple	Detects if the pilot light is on
G	Ignition electrode	Supplies a spark to ignite the pilot light


2.5 Overview of the ceramic log set



For an overview of the ceramic log set of the MagniFire (MF) burner refer to chapter [2.5.1](#).

For an overview of the ceramic log set of the Centre Fire (CF) or Line Fire burner refer to chapter [2.5.2](#).

2.5.1 Ceramic log set for the MagniFire burner



No.	Ember grate	No.	Ember grate
27		29	
30		31	
32		33	
35		37	



No.	Ember grate	No.	Ember grate
38			








No.	'Fire glass' Dark Amber	No.	'Fire glass' Black
			

2.5.2

Ceramic log set for the Centre Fire / Line Fire burner

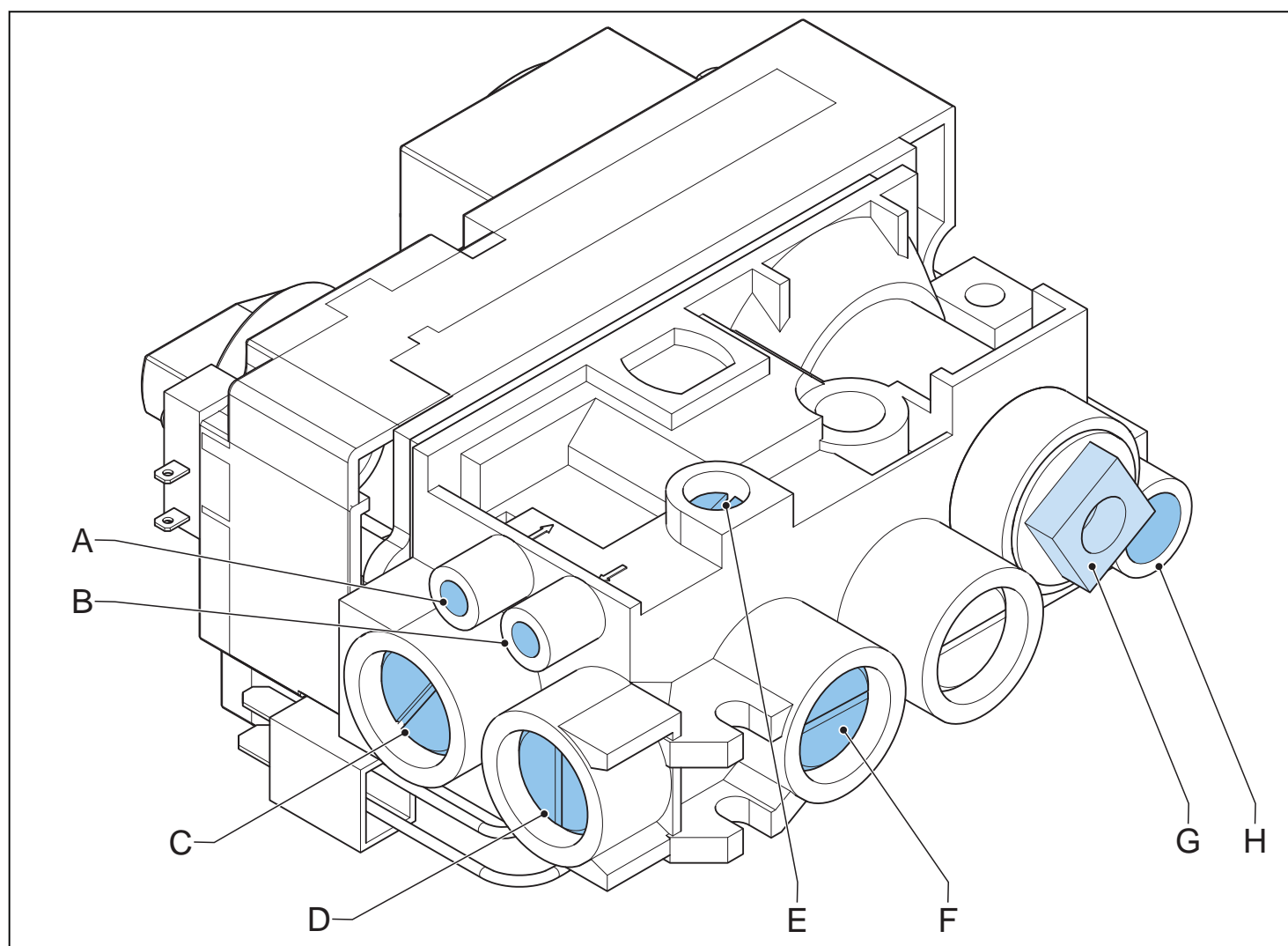
No.	Embers	No.	Charcoal
		22	

No.	Log	No.	Log
1		2	

No.	Log	No.	Log
3		4	
6		8	
No.	Wood chip	No.	Wood chip
705		706	
707			

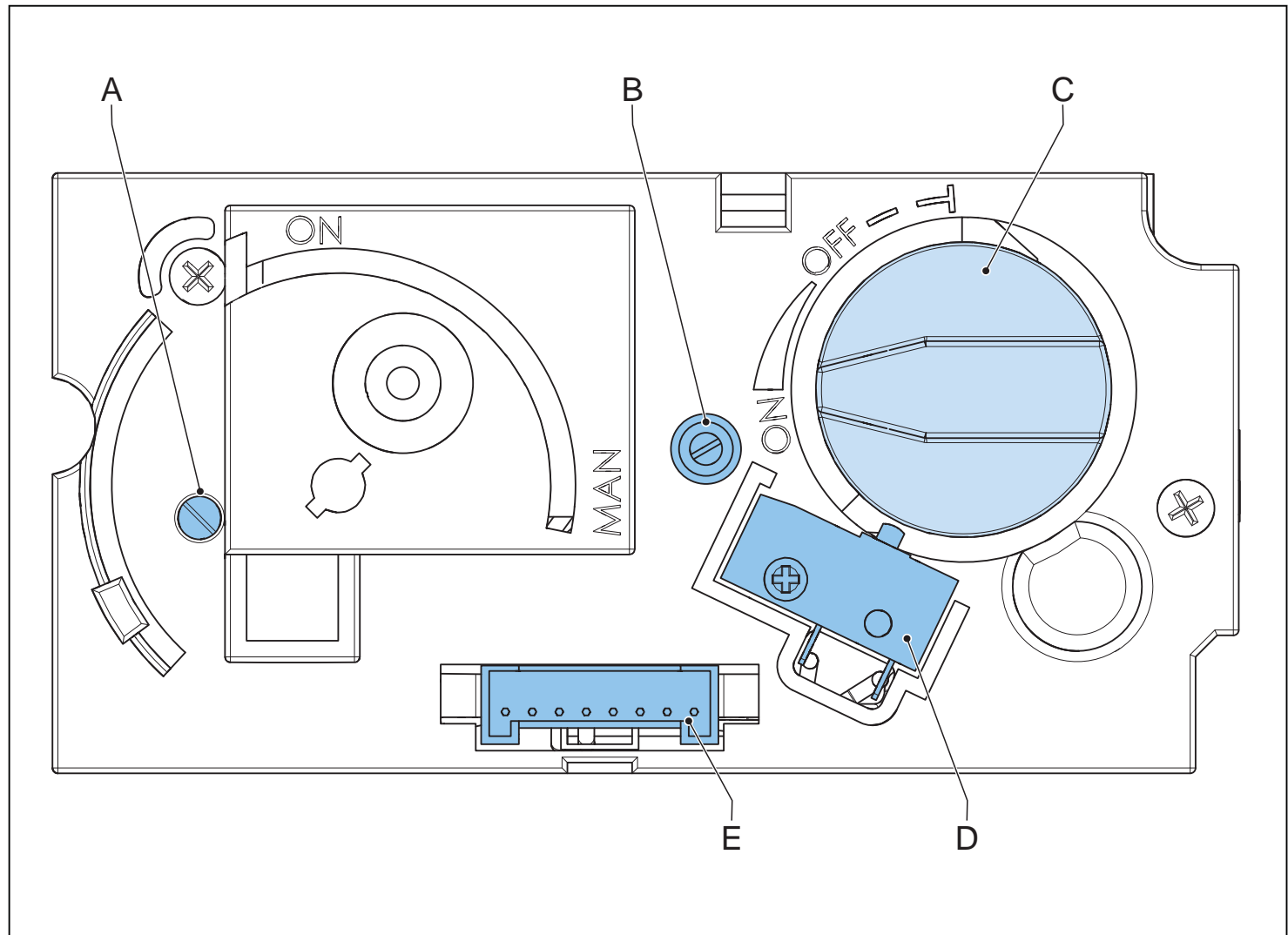
2.6 Overview of the control elements

2.6.1 Overview of the rear of the gas regulator block



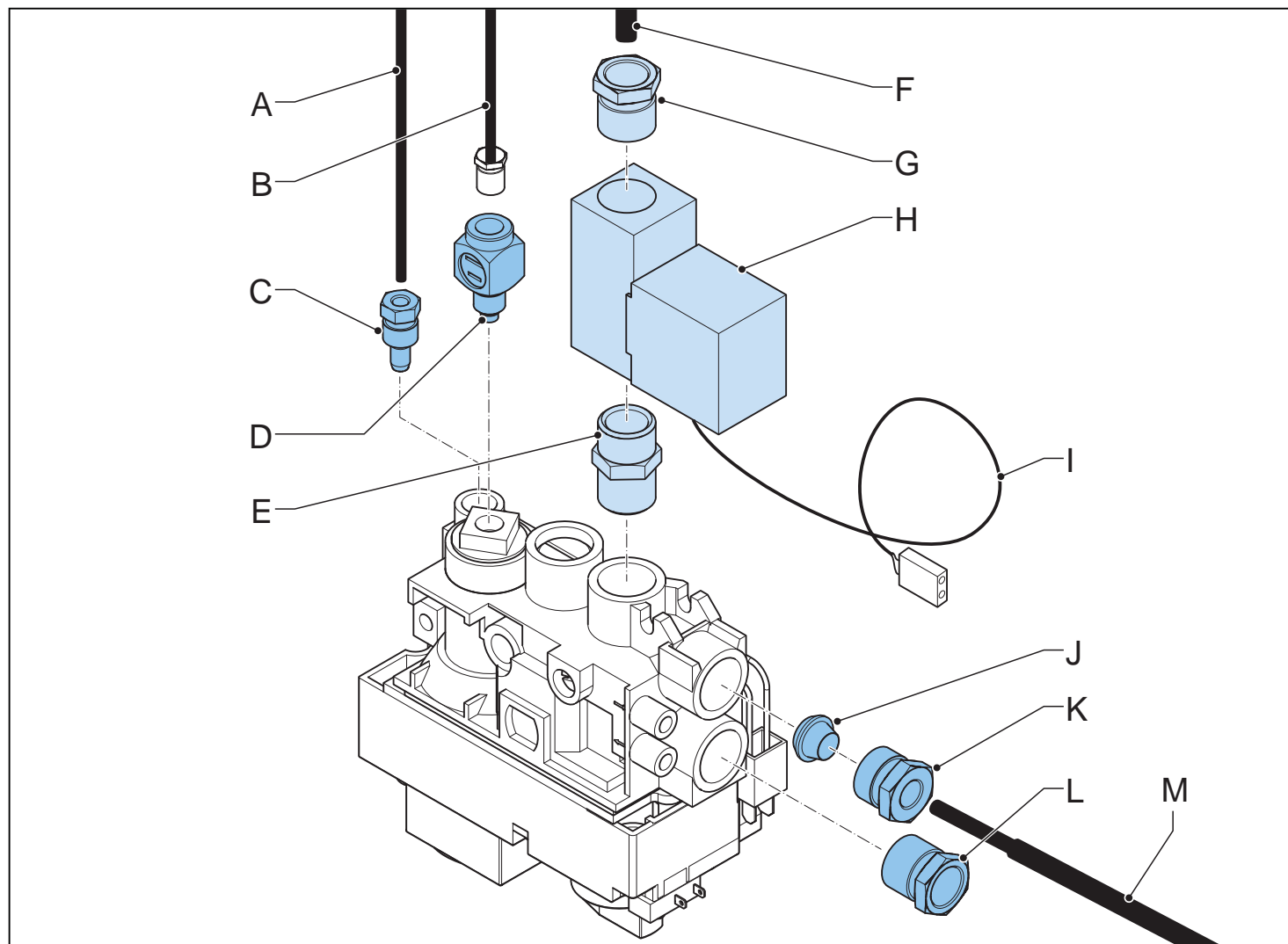
	Item	Description
A	Inlet pressure tap	Point to measure the gas supply pressure
B	Outlet pressure tap	Point to measure the front burner pressure
C	Gas supply connection	The connection for the gas supply pipe
D	Gas connection for the front burner	The connection for the front burner gas pipe
E	Adjustment screw for the minimum burner pressure	sets the minimum burner pressure. The adjustment screw is factory set and sealed.
F	Gas connection for the gas valve that is connected to the rear burner	The connection for the rear burner gas pipe
G	Thermocouple interrupter connection	The connection for the thermocouple interrupter
H	Pilot light connection	The connection to the pilot light gas pipe

2.6.2 Overview of the front of the gas regulator block



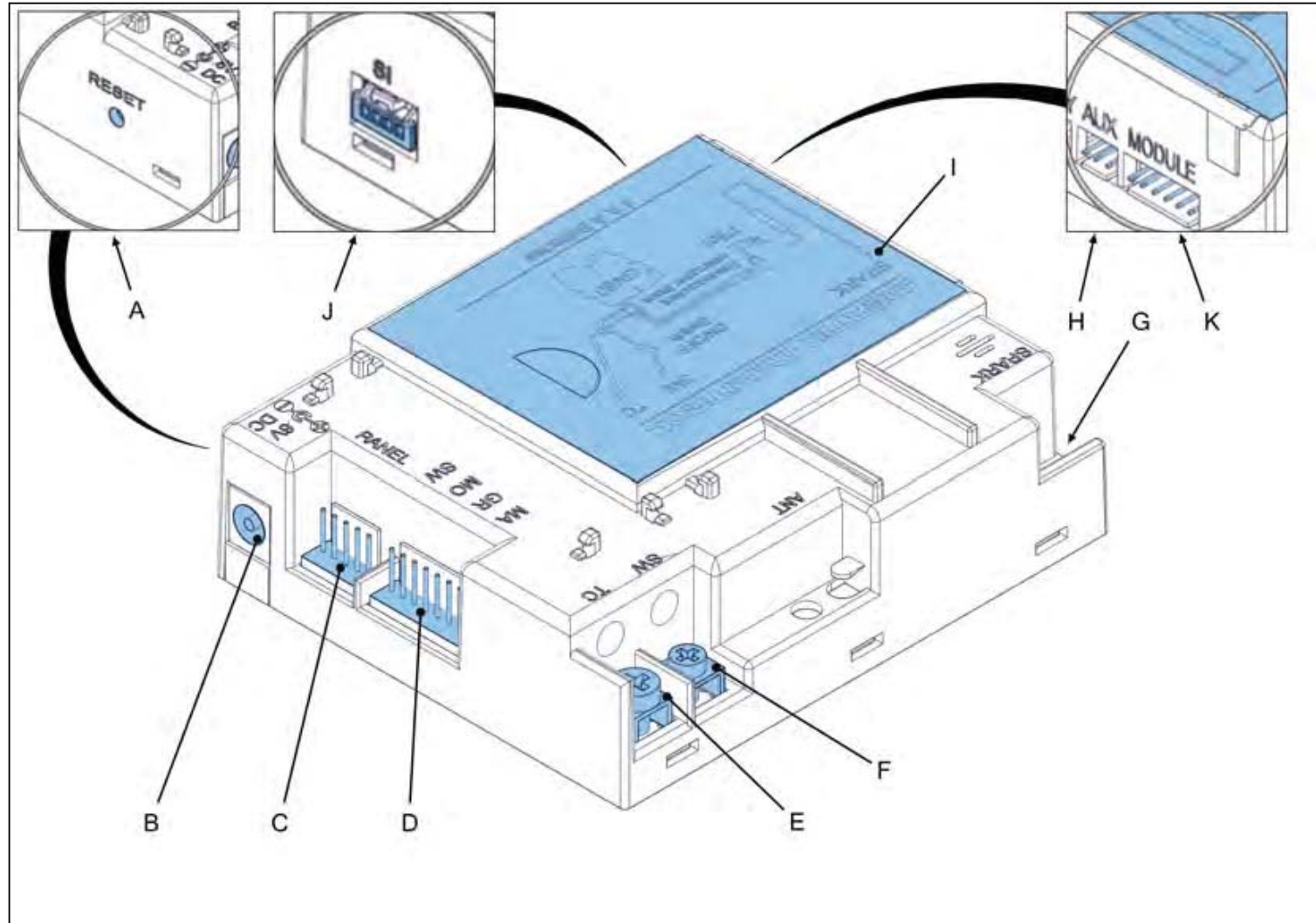
		Description
A	Pilot gas adjustment screw	Sets the pilot light gas pressure. The adjustment screw is factory set and sealed.
B	Adjustment screw maximum burner pressure	Sets the maximum gas pressure for the burner. The adjustment screw is factory set and sealed.
C	Motor-knob	Operates the internal main gas valve
D	Microswitch	Detects the end position of the motor-knob
E	8 wire cable connection	Connects the 8-wire cable from the receiver

2.6.3 Overview of the connections on the gas regulator block



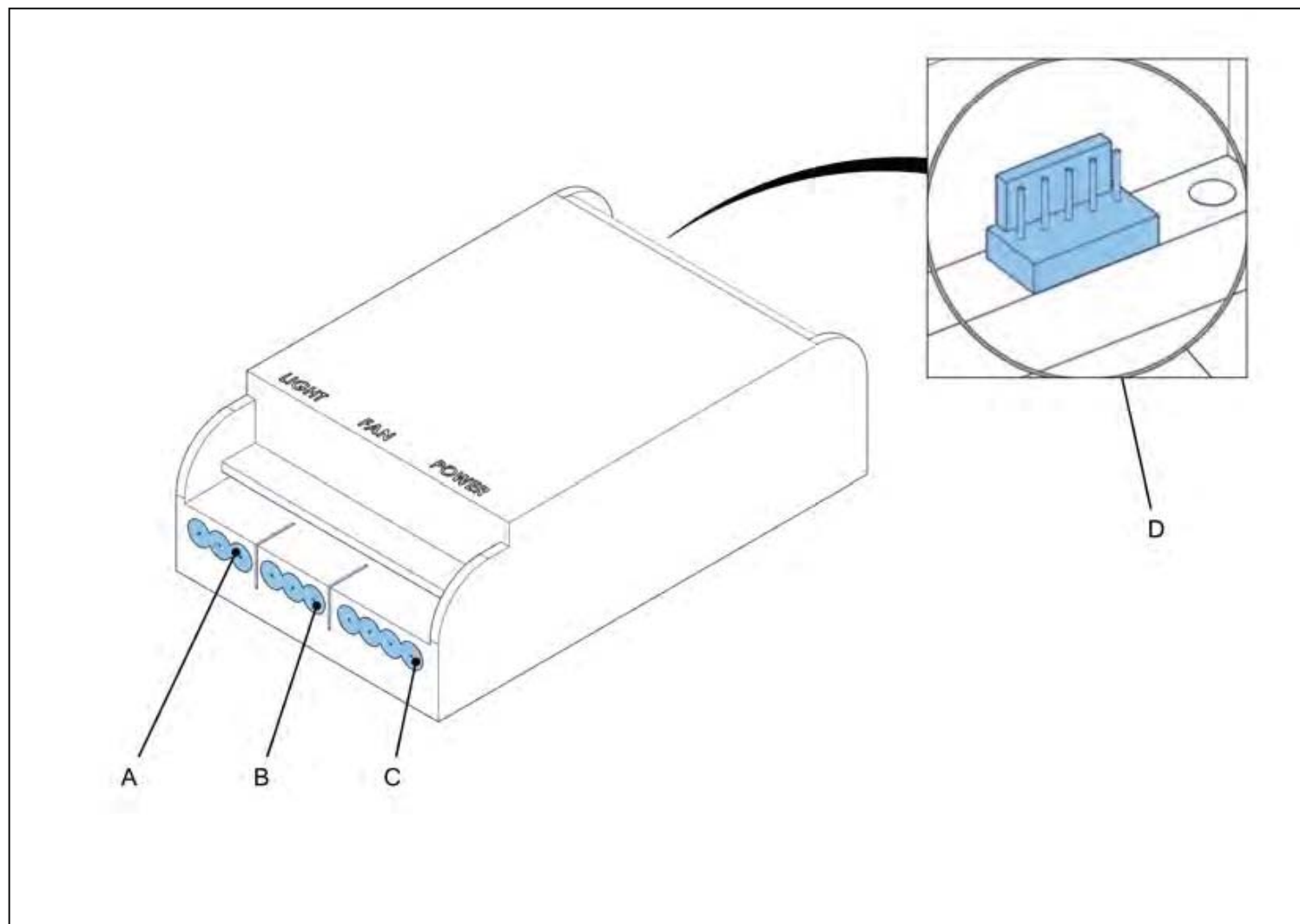
	Item	Description
A	Pilot light pipe	Supplies gas to the pilot light burner
B	Thermocouple	Detects if the pilot light is on
C	Connector (nut-olive) Ø 4mm	Connects the pilot light gas pipe to the gas regulator block
D	Thermocouple interrupter	Interrupts the signal of the thermocouple, and bypasses this signal through the receiver. When the thermocouple signal is cut off by the receiver (requested by the remote control) or when the thermocouple signal is weak or broken, the gas supply to the pilot light will stop.
E	Connector	Connects the gas valve of the rear burner
F	Gas pipe rear burner	Supplies gas to the rear of the main burner
G	Connector (nut-olive) Ø 8mm	Connects the rear burner gas line to the gas valve of the rear burner
H	Gas valve of the rear burner	Controls the flow of gas to the rear burner
I	Control cable of the gas valve of the rear burner	Connects the valve to the receiver
J	Olive Ø 8mm	For the gas pipe to the front burner
K	Nut Ø 8mm	For the gas pipe to the front burner
L	Gas supply connection	Inlet for the gas supply
M	Gas pipe front burner	Supplies gas to the front of the main burner

2.6.4 Overview of the receiver



	Item	Description
A	Reset button	Reset of the receiver
B	Connection for an adapter	Optionally, a 6 VDC adapter can supply the receiver and an optional wifi-box with power
C	connection for external operating	Optionally, a wall switch or domotica system can be connected
D	8 wire cable connection	Sends signals to the gas regulator block
E	Thermocouple voltage / current IN (red connection)	Connection to the thermoelectric pilot light shut-off wire IN
F	Thermocouple voltage / current OUT (yellow connection)	Connection to the thermoelectric pilot light shut-off wire OUT
G	Piezo cable connection	Connection for the piezo cable which is connected to the ignition electrode of the pilot light
H	Connection to the gas valve rear burner (AUX)	Sends a signal if the rear burner must burn
I	Battery compartment cover	Batteries are not applicable in the receiver for this appliance. (Power is supplied by the fan/light module.)
J	Connection for a wifi-box (SI)	Optionally, a wifi-box can be connected to the receiver to control the appliance with a smart-phone or tablet with the Bellfires app
K	Connection for the fan/light module (MODULE)	To control the light function

2.6.5 Overview of the fan/light module



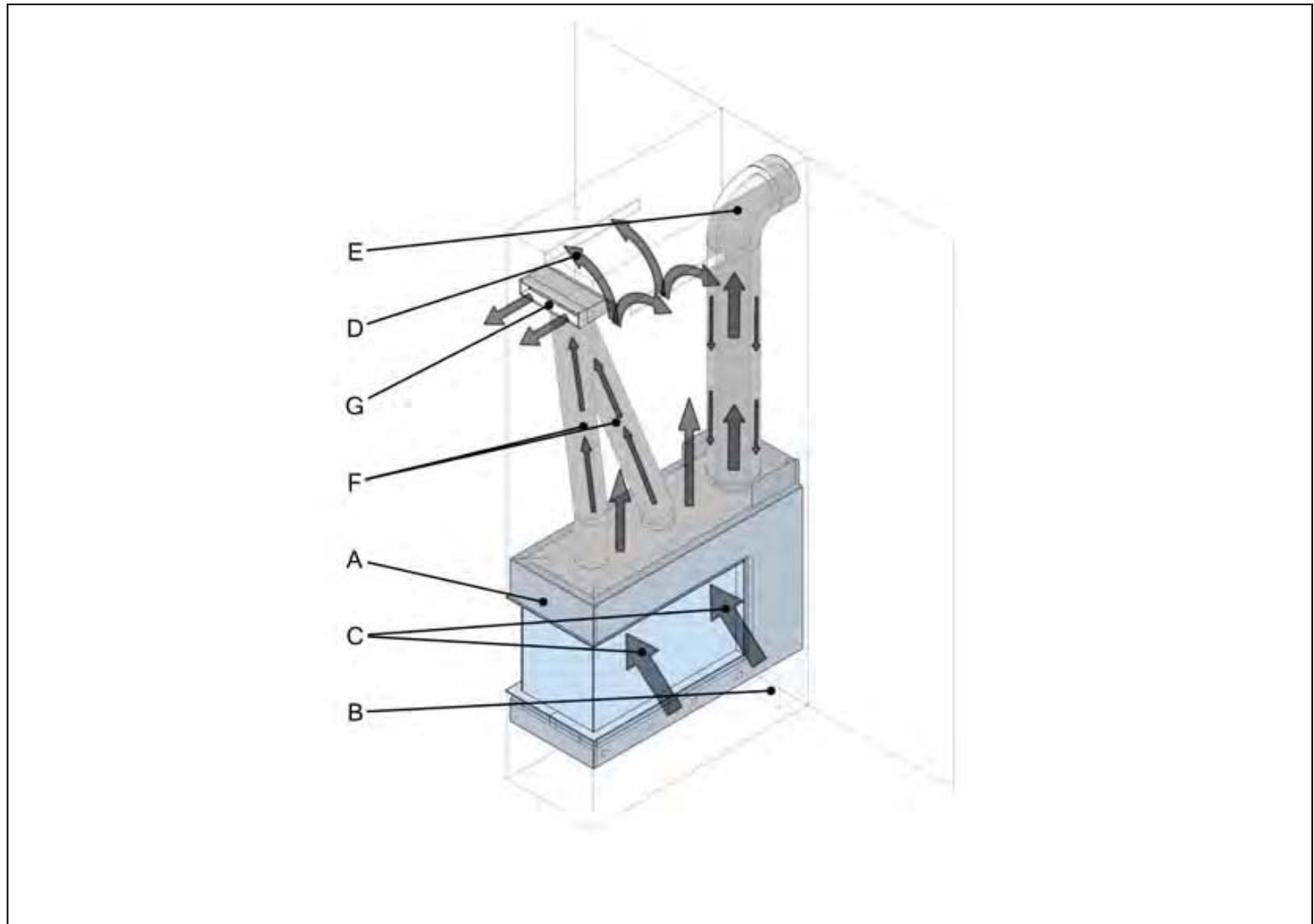
Item	Description
A	Connection for the ambient lights Powers the ambient light bulbs
B	Connection for a convection fan Not applicable for this appliance
C	connection for the power supply Connection for the 230 VAC power cable with an earthed plug. Connection is also used for earthing the appliance
D	Connection for the receiver To control the light function

2.7 Installation options

The appliance can be installed :

- as built-in appliance in a new fireplace.
- against a wall with an optional available support frame.

2.8 Example of a typical installation



Note:

This is an example of a typical installation with the convection package option and a wall outlet for the concentric flue. Your installation can be different.

	Item	Description
A	Appliance	Decorative gas fire that heats the room
B	Control unit	Contains the gas regulator block, receiver and the fan/light module
C	Inlet ventilation air	Provides the fireplace with air
D	Outlet ventilation air	The heated air in the fireplace is extracted through the outlets into the room
E	Concentric flue system (wall outlet variant)	The concentric flue system provides combustion air to the appliance and extracts the flue gases from the appliance
F	Flexible aluminum pipe (convection set option)	Extracts the heated air of the convection casing
G	Convection outlet grate (convection set option)	The heated air is extracted by the outlet grates into the room

3 Safety

3.1 Safety devices on the appliance

Name	Description
Thermo-electric pilot light shut off	Prevents unforeseen discharge of gas from the main burner.
Overpressure door (= glass front) and overpressure hatch	If an overpressure occurs in the appliance, the glass front door and the hatch opens for a short duration. When the door and hatch opens, a loud noise can occur. If an overpressure occurs, the installer must do a thorough check on the appliance.

3.2 Safety instructions for installation



Warning:

- The appliance must be positioned and connected as a 'room sealed system' appliance by a certified and registered gas installation engineer
- Before beginning the installation, check that the details on the rating plate correspond to the gas type and supply pressure to which the appliance will be connected.
- Install the appliance in accordance with the following installation instructions, and the national and the local applicable regulations.
- Do not put flammable materials in the fireplace.
- Make sure that the area around the fireplace is free of flammable materials at all times. the minimal safe distance is 100 cm from the fireplace.
- Make sure that the burner openings stay clean during installation. Blockage of the burner openings can lead to a dangerous situation.
- Make sure that the gas regulator block and the piping remain free of cement or other building material. Otherwise, the gas regulator block or the piping can start to leak.
- Do not twist the flexible pipes to the gas regulator block. Make sure that there is no stress on the flexible pipes and the gas regulator block.
- Make sure that you do not damage the pipes.
- Make sure that the compression fittings do not come loose.
- Do not install the appliance against a flammable rear wall.
- After installation, Make sure that the pipes and compression fittings are gas tight.

**Caution:**

- Only use the items that are supplied or described in the preparation manual and other related documentation.
- Do not use masking tape on the appliance. Masking tape can damage the finish of the appliance.
- Do not insulate the appliance. If necessary, only install strips of white, loose insulation wool that is heat resistant up to at least 1000 °C. Install the insulation strips with a width of maximally 15 cm to protect the walls. Only install these strips on top and on the side of the appliance.
- Do not use fiberglass, rockwool, or any other sort of insulation material. These materials produce pungent odour and can produce discolouration of the fireplace.
- Make sure that brickwork is build with a clearing of at least 3 mm between the sides and the top of the appliance and the brickwork. The appliance can expand during operation due to heating.
- Do not build the brickwork higher than the casing without the use of a mantel iron.

3.3**Safety instructions with regard to the environment**

- Dispose of the packing materials in an environmentally friendly way.
- Dispose of batteries as chemical waste.
- Dispose of ceramic heat-resistant glass as household waste. Do not dispose of ceramic heat-resistant glass in a glass recycling container.
- Dispose of an obsolete appliance according to instructions of the authorities or the fitter.
- Obey the local regulations.

4 Installation



Note: Make sure that the location agrees with the requirements. Refer to the preparation manual.



Note: Make sure that the details of the rating plate of the appliance agree with the gas type and gas pressure of the gas supply.



Note: The appliance is factory set to the correct nominal heat input. The pilot light is set to the correct level of gas consumption.

- For installation as built-in appliance refer to chapter [4.1](#).
- For installation against a wall refer to chapter [4.2](#).

4.1 Installation as built-in appliance

4.1.1 Install the appliance



Caution:

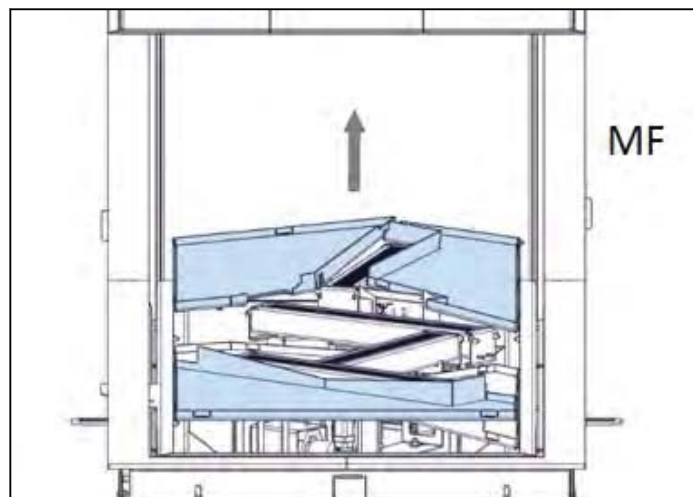
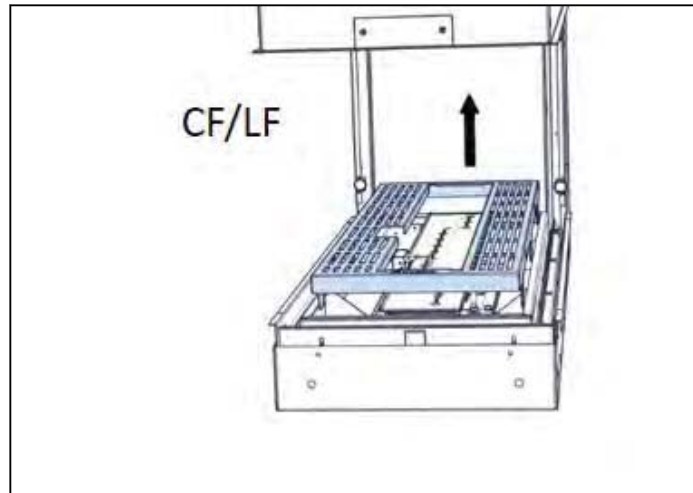
Do not install the appliance against a flammable rear wall.

1. Install the appliance on the intended position. Make sure the distance between the appliance and the rear wall is minimum 20 mm.
2. Put a nonflammable insulation plate of at least 12 mm thick between the appliance and the rear wall. Make sure that the insulation plate covers the entire area of the rear of the appliance.
3. For Room Divider Medium 3 L/R CF/LF/MF only, make sure the left or right steel panel are insulated with a nonflammable insulation plate of minimum 12 mm thick. Make sure the insulation plate covers the total area of the left or right panel
4. For Room Divider Medium 3 L/R CF/LF/MF only, make sure there is an air gap of 2 cm on the two sides of the insulation plate.

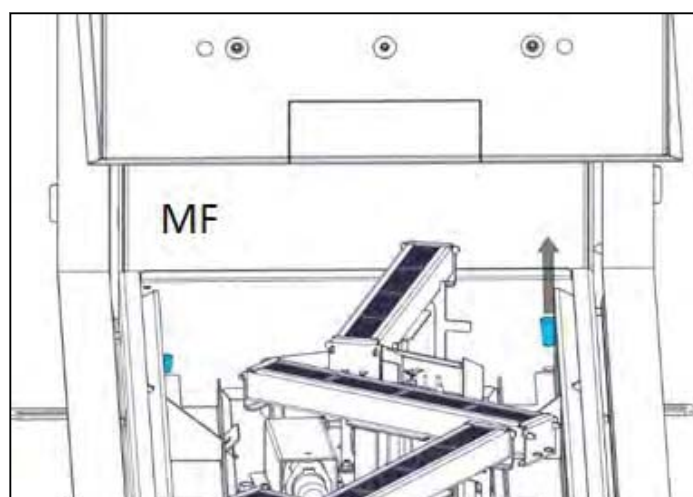
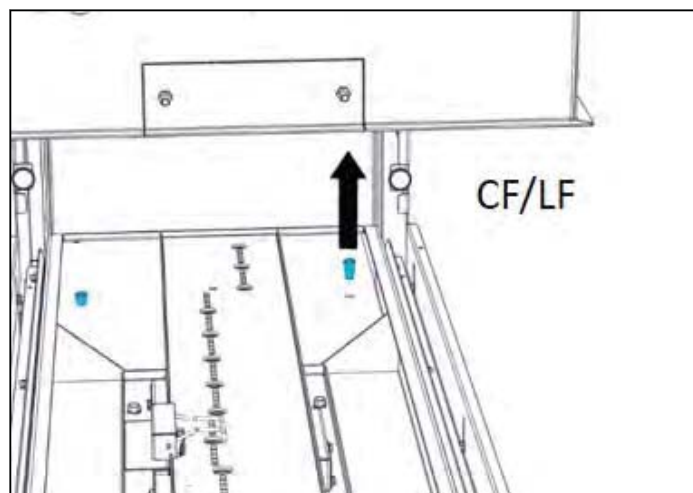
4.1.2 Horizontally align the appliance

Aligning with adjustable feet

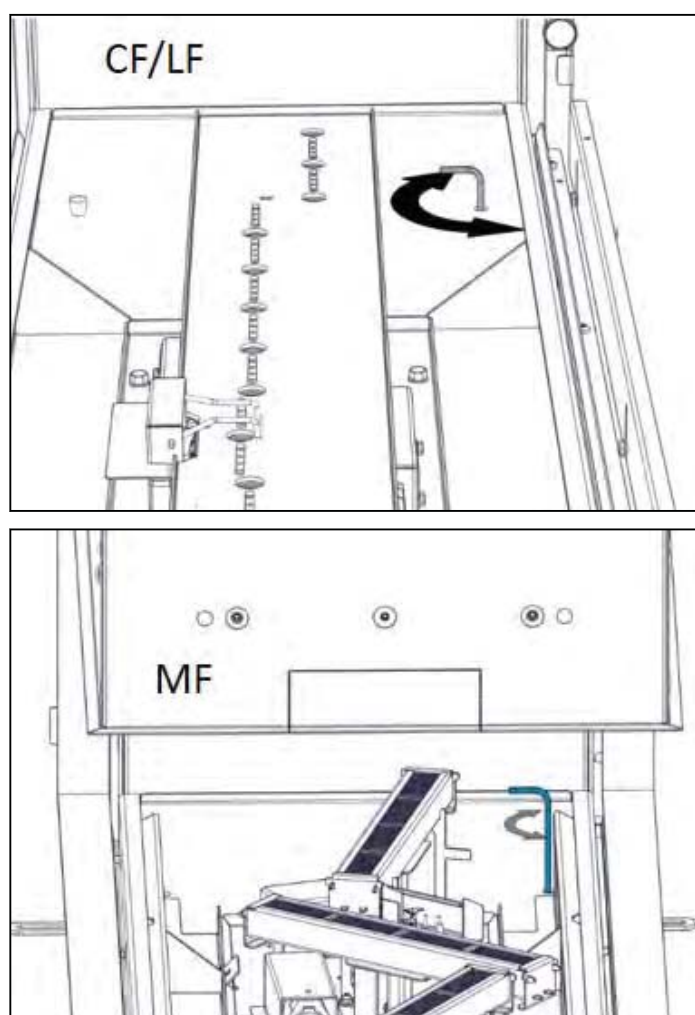
1. Remove the grate (CF or LF burner) or the 5 grates (MF burner).



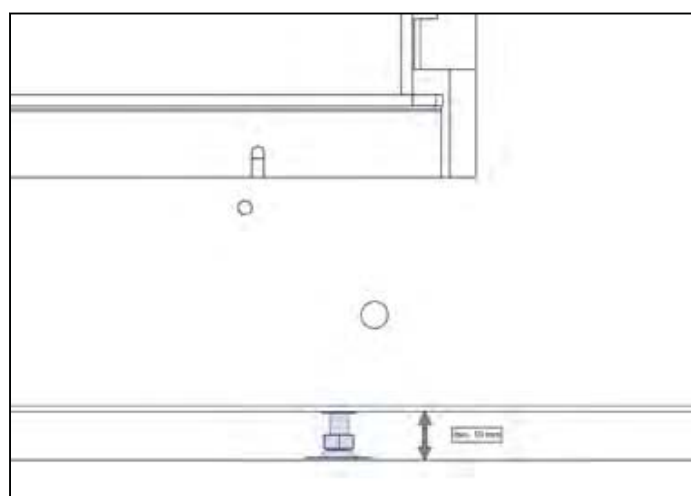
2. Remove the 4 rubber protection caps in the corners that cover the holes above the adjustable feet.



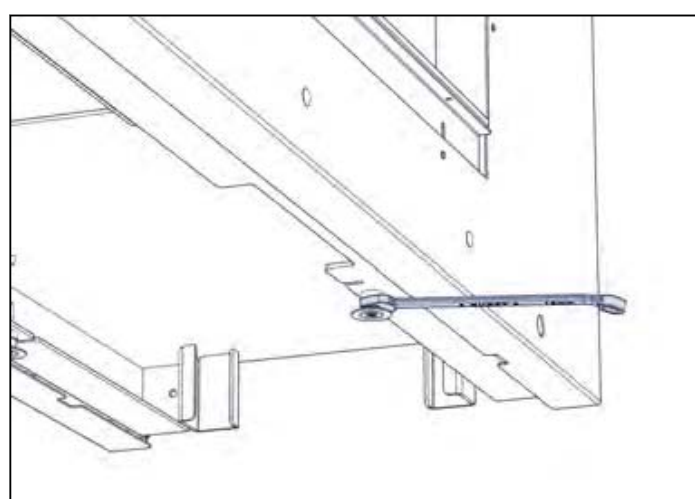
3. Adjust the 4 adjustable feet with a 5 mm hexagonal key until the appliance is horizontal.



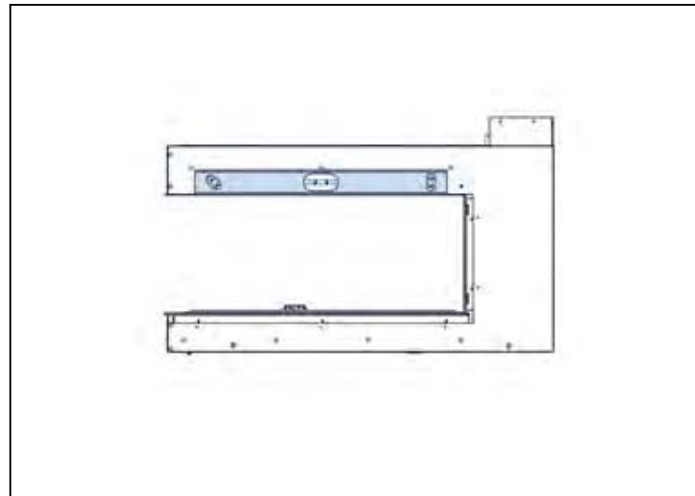
4. Make sure the distance between the bottom of the appliance and the floor is minimum 10 mm.



Alternatively the adjustable feet can be adjusted with a 13 mm fork spanner at the bottom of the appliance



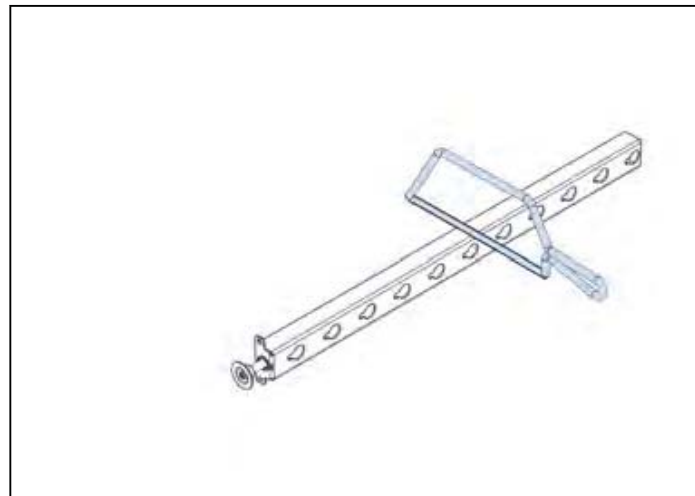
5. Make sure that the appliance is installed horizontally. Use a spirit level.



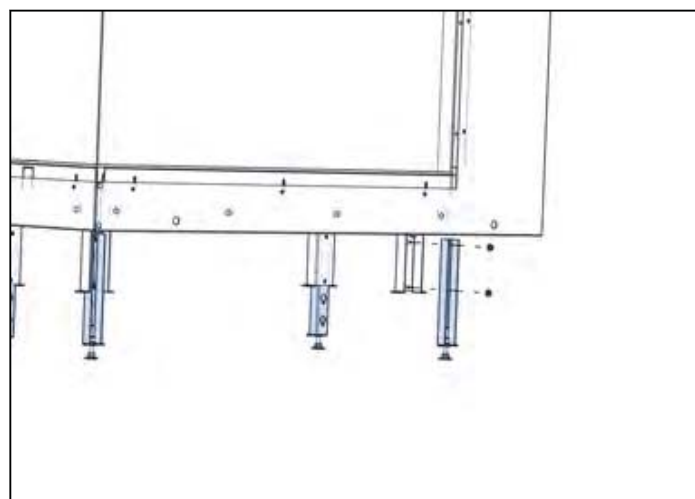
6. After adjustment, put the rubber protection caps back on the holes.
7. Put the grate (CF or LF burner) or 5 grates (MF burner) back in the appliance.

Aligning with extended adjustable feet

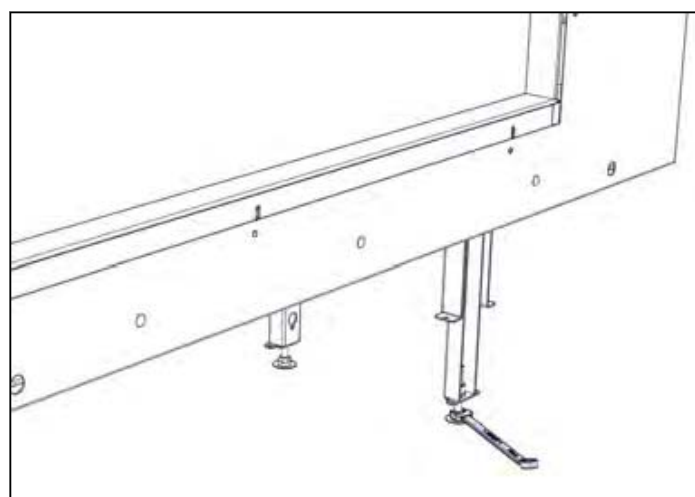
1. Decrease the length of the extended adjustable feet to the necessary length with a saw.



2. Attach the extended adjustable feet on the pre-installed foot adapters.



3. Adjust the feet with a 13 mm fork spanner.



4. Make sure that the appliance is installed horizontally. Use a spirit level.

4.1.3 Make the gas connection



Caution:

- Do not twist the gas supply pipe to the gas regulator block. Make sure that there is no stress on the gas supply pipe and the gas regulator block.
- Make sure that you do not damage the gas supply pipe.

1. Remove the elastic strap that holds the gas regulator block and receiver on the appliance and put them careful on the floor. Make sure not to disconnect electrical cables and gas lines.
2. Connect the gas supply line to the gas regulator block. Use a compression fitting.
3. Make sure that the gas is correctly connected.

4.1.4 Make the electrical connection



Caution:

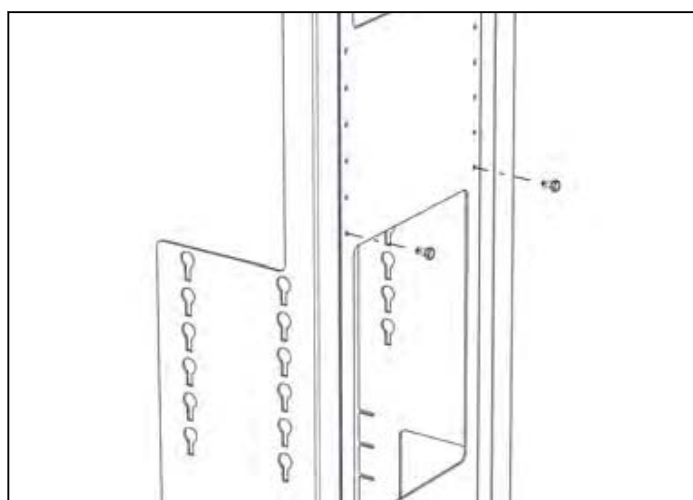
- Use wall sockets with an earth connection.
- The sockets must be accessible at all times.

1. Connect the 6V adapter of the receiver with the wall socket.
2. Connect the 230 VAC cable of the light module with the wall socket
3. Make sure that the electrical cable does not touch the appliance, due to the high temperatures of the appliance.

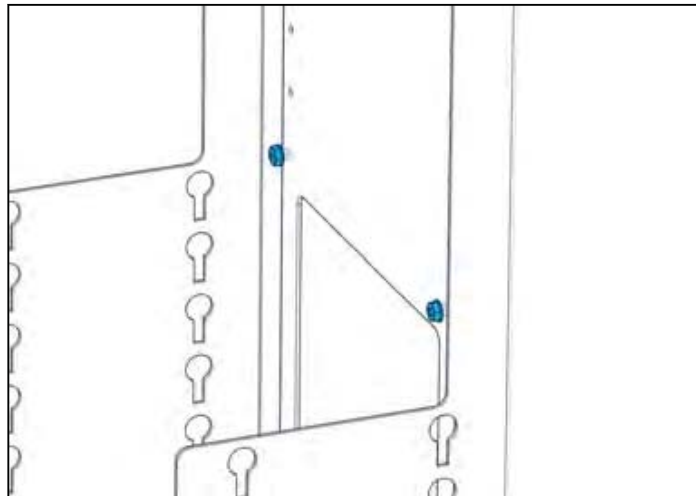
4.2 Installation against a wall

4.2.1 Install the wall support frame

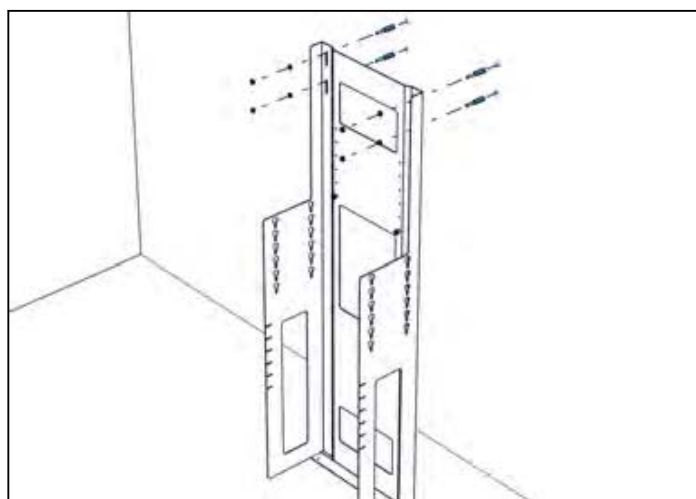
1. Attach the M8x16 bolts through the back of the wall support frame at the correct height.



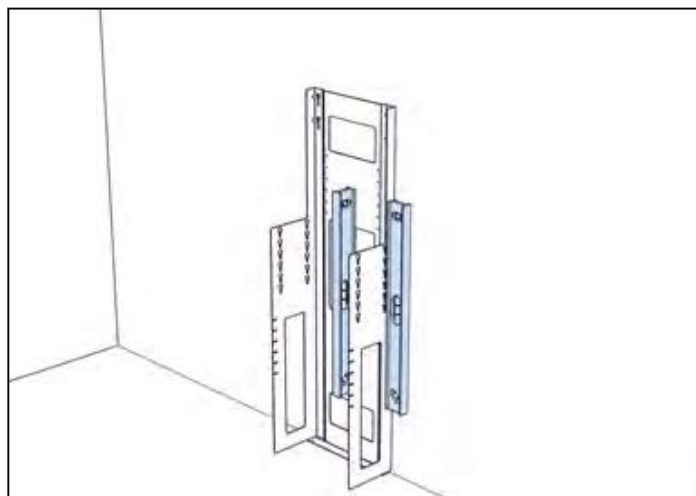
2. Put the flange nuts on the bolts. Make sure to leave a space between the flange nut and the wall support frame.



3. Put the wall support frame on the floor and against the wall. Attach the wall support frame against the wall with the 4 expansion bolts.



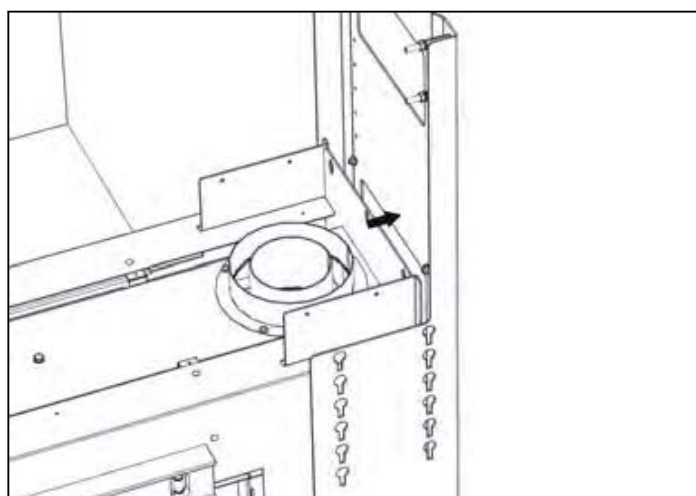
4. Make sure with a spirit level that the wall support frame is vertical in all directions.



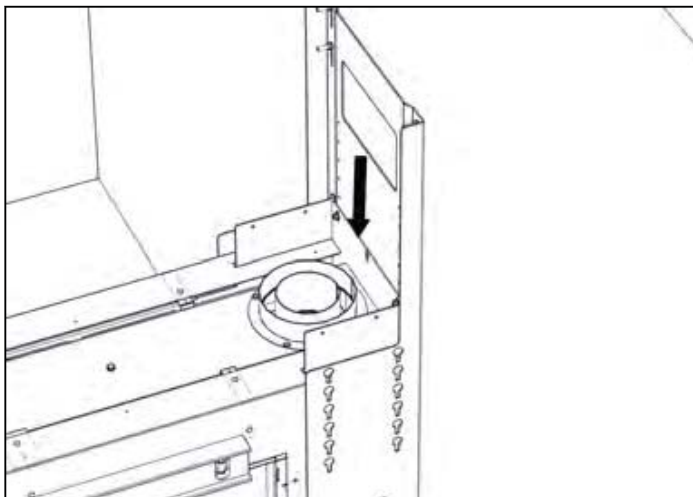
5. The wall support frame is ready to install the appliance against it.

4.2.2 Install the appliance

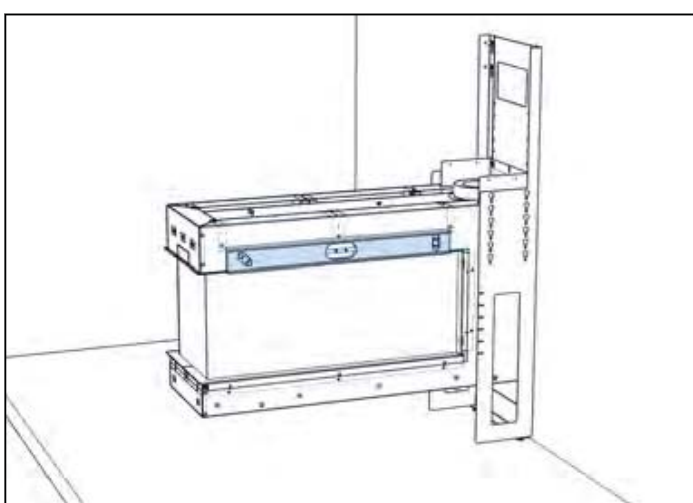
1. Put the stove on the wall support frame. Make sure the flange nuts on the bolts on the wall support frame go into the slots on the back of the appliance.



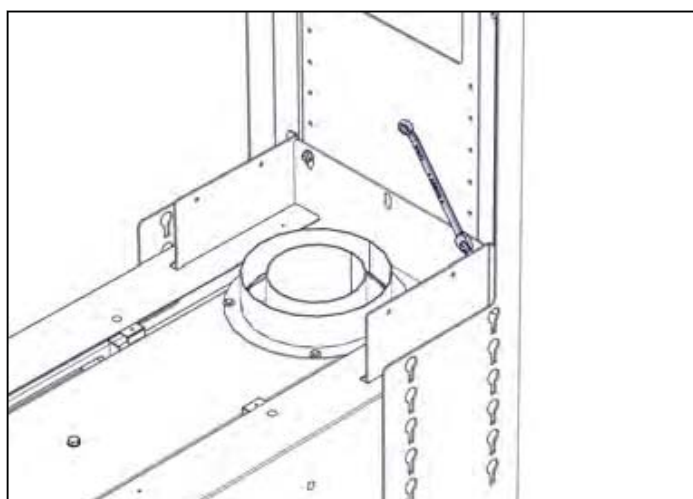
2. Lower the appliance over the bolts until it sits tightly on the wall support frame.



3. Make sure the appliance is level in all directions.



4. Tighten the flange nuts on the bolts.



4.2.3

Make the gas connection



Caution:

- Do not twist the gas supply pipe to the gas regulator block. Make sure that there is no stress on the gas supply pipe and the gas regulator block.
- Make sure that you do not damage the gas supply pipe.



Note: The gas regulator block, receiver and light module are attached by the factory under the appliance. Do not remove it from this position.

1. Connect the gas supply line to the gas regulator block. Use a compression fitting.
2. Make sure that the gas is correctly connected.

4.2.4 Make the electrical connection



Caution:

- Use wall sockets with an earth connection.
- The sockets must be accessible at all times.

1. Connect the 6V adapter of the receiver with the wall socket.
2. Connect the 230 VAC cable of the light module with the wall socket
3. Make sure that the electrical cable does not touch the appliance, due to the high temperatures of the appliance.

4.3 Do a check on the gas connections

- Make sure that the gas connections do not leak. Use soapy water or a leak tester.

4.4 Connect the concentric flue system

1. Connect the concentric flue system to the appliance. Use the materials that are specified in the preparation manual. Do not use any other materials.
2. Make sure that all mechanical connections of the concentric flue system are correctly connected.

4.5 Install the flue gas restriction plate

Safety conditions

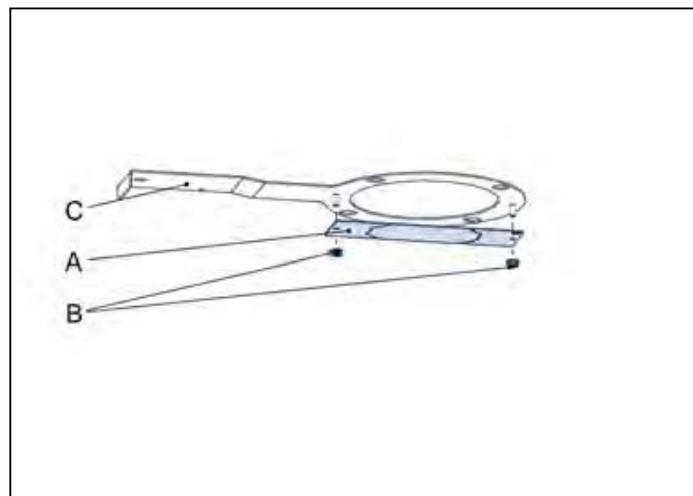


Caution:

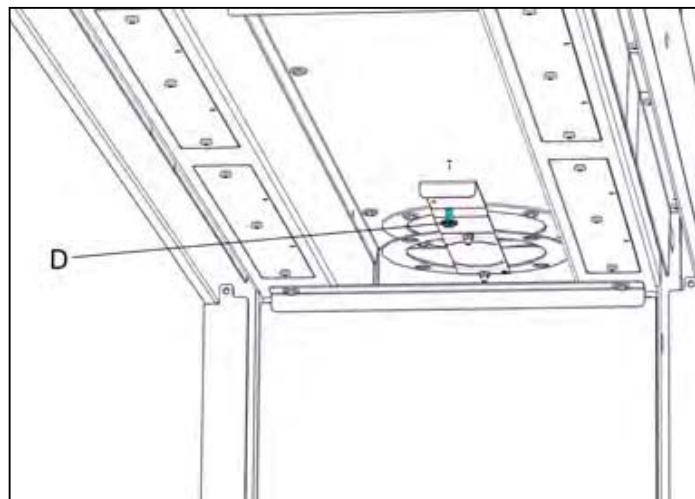
Install the correct restriction plate. An incorrect restriction plate can cause damage to the appliance. Refer for more information to the 'Preparation manual'

Procedure

1. Remove the glass. See chapter [6.2.1](#) for the procedure.
2. Remove the restriction plate adapter (C) from the top of the combustion chamber by means of the screw (D) .
3. Install the restriction plate (A) with the fasteners (B) on the restriction plate adapter (C). Use the restriction plate specified in the preparation manual.

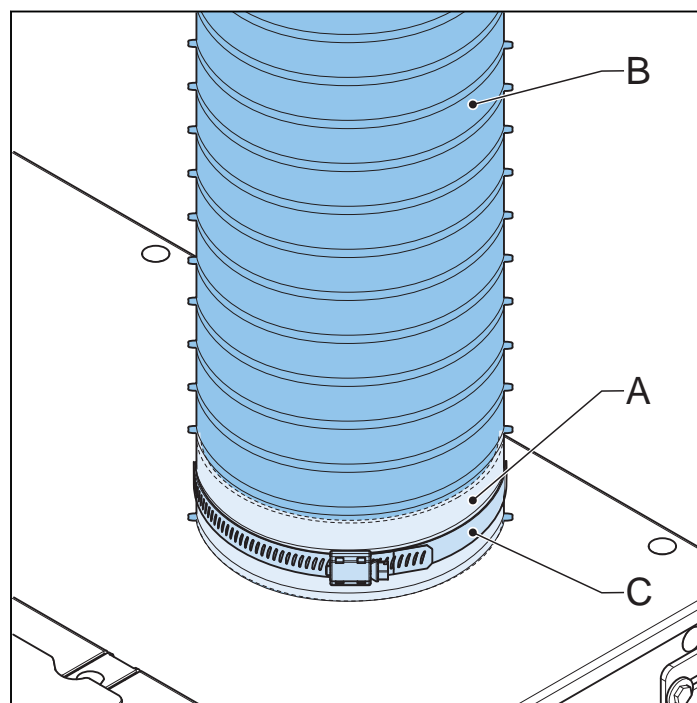


4. Attach the restriction plate adapter (with restriction plate) with a screw (D) back into the appliance. Make sure the holes in the restriction plate adapter correspond with the bolts in the top of the combustion chamber.



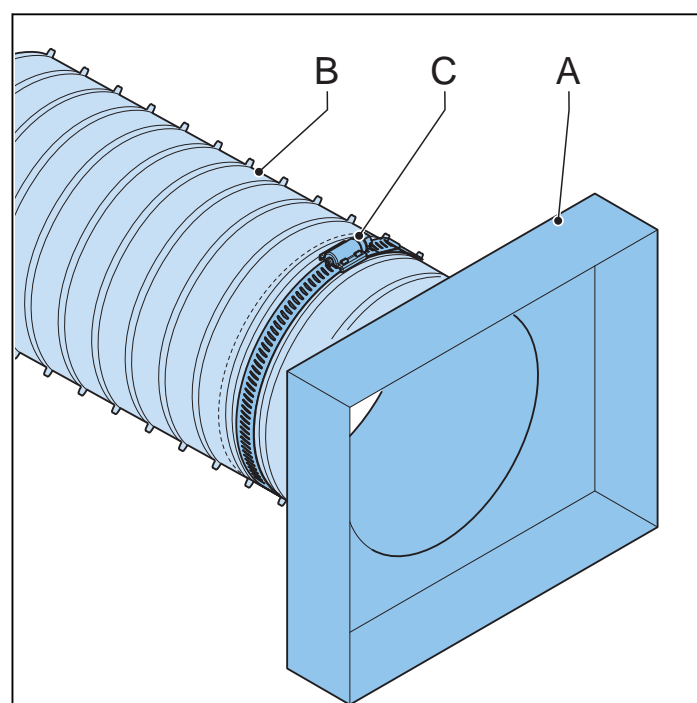
4.6 Connect the convection set (optional)

4.6.1 Connect the aluminum pipe to the appliance



- Connect the flexible aluminum pipes (B) on the collar adaptors (A). Use the hose clamps ©).

4.6.2 Connect the aluminum pipe to the fitting box



- Connect the flexible aluminum pipes (B) on the fitting boxes (A). Use the hose clamps ©).

4.7 Build the fireplace



Caution:

- Remove the metal side panels and the metal front panel of the frame to prevent damage of the frame during work. Refer to chapter [6.2.1](#).
- Remove the 3 glass panes from the appliance. Refer to chapter [6.2.1](#) for the procedure on how to do this.
- Remove all boxes, the ceramic log set and documents from the appliance.
- Make sure that the gas piping remains free of cement or other building material. Otherwise, the gas piping can start to leak.
- Make sure that brickwork is build with a clearing of at least 3 mm between the sides and top of the appliance and the brickwork. The appliance can expand during operation due to heating.
- Do not use masking tape on the appliance. Masking tape can damage the finish of the appliance.
- Do not build the brickwork higher than the casing without the use of a mantel iron.



Note:

- Make sure that the thickness of any plastering is taken into account when the brickwork is being build.
- If you use other material than bricks, install the material in accordance with the instructions of the supplier of the material.

1. Identify the positions where the inlet grates and the outlet grates must be put. Refer to chapter [2.8](#) and refer to the preparation manual.



Note: Step 2, 3 and 4 are only applicable for the built-in appliance. For the appliance attached on the wall support frame continue with step 6.

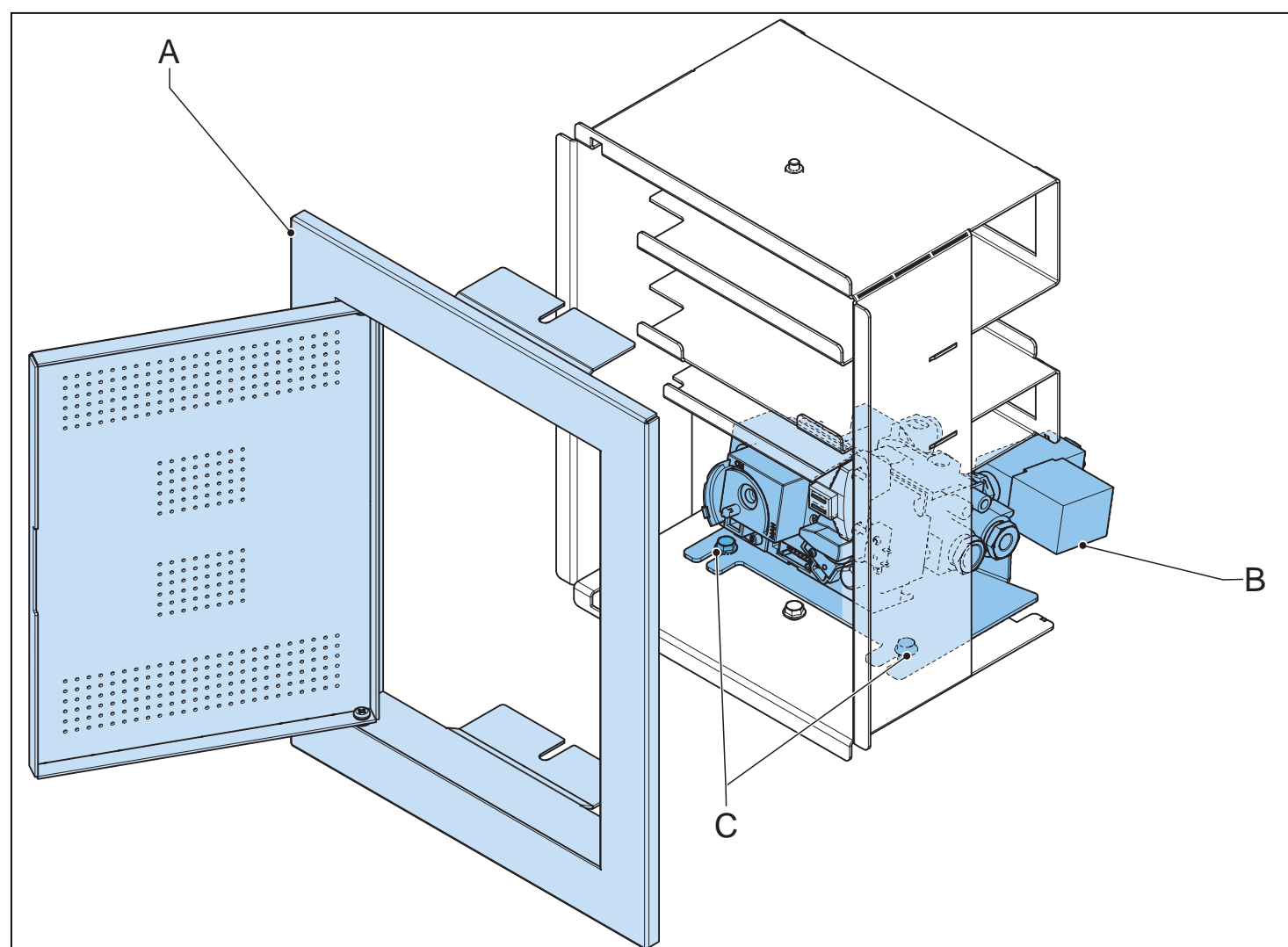
2. Identify the position for the operating unit.
3. Build the fireplace to just above the intended position of the operating unit
4. install the operating unit with the gas regulator block, receiver and light module. Do the procedure given in chapter [4.8](#).
5. Build the brickwork around the appliance up to the upper frame.
6. If applicable, connect the mantel iron with the back wall with the draw bars. Refer to chapter [4.9](#) for the installation procedure.
 - a) Put ceramic felt on the top of the mantel iron. Brickwork can be built on top of the ceramic felt.
7. Build the fireplace around the appliance.
8. Install the grates on the inlet openings and the outlet openings.
9. Make sure the overpressure hatches are placed correct. Refer to chapter [5.1](#) for instructions.

4.8 Put the operating unit in position



Caution:

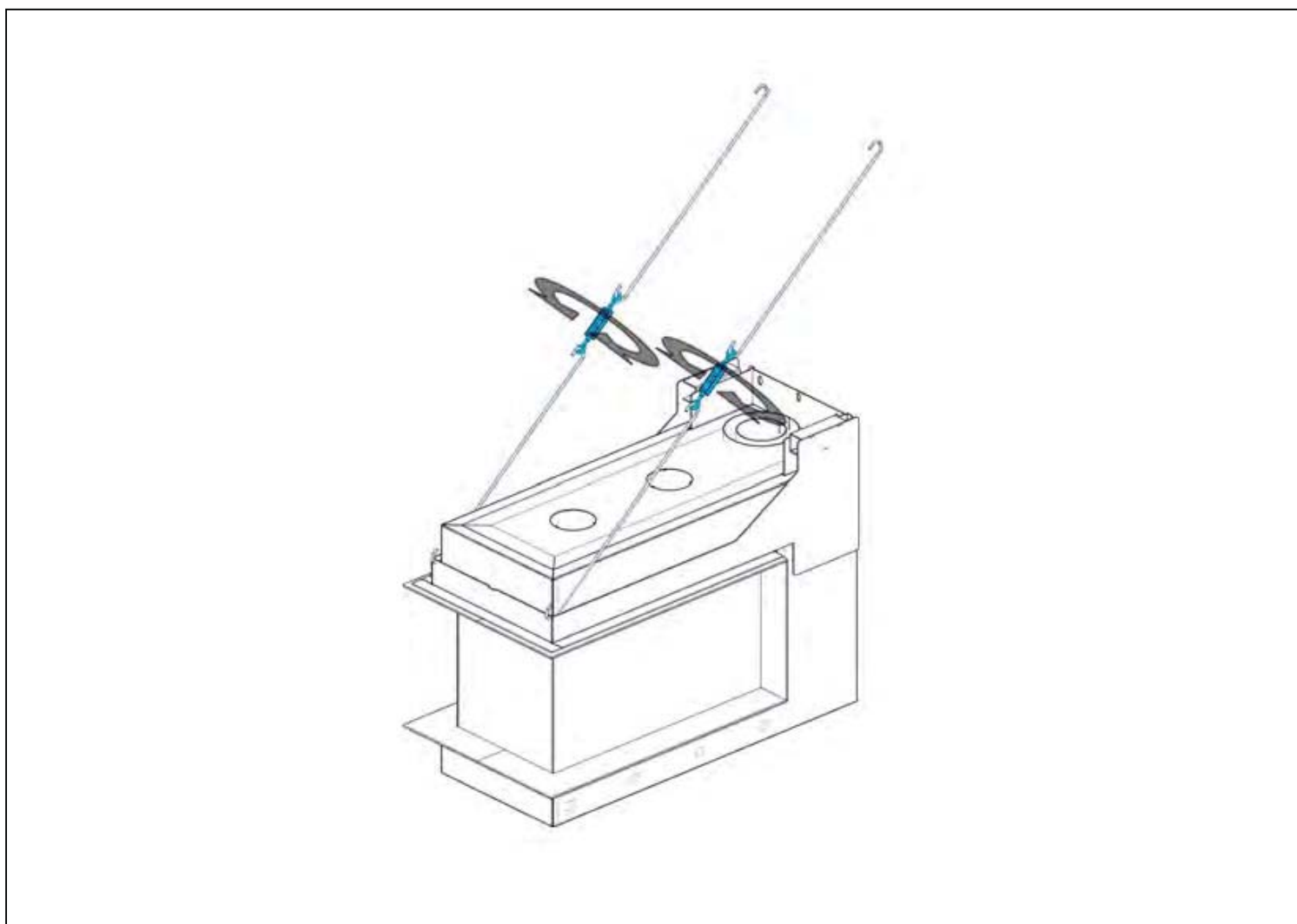
- Do not twist the flexible pipes to the gas regulator block. Make sure that there is no stress on the flexible pipes and the gas regulator block.
- Make sure that you do not damage the pipes.
- Make sure that the compression fittings do not come loose.



1. Remove the frame with the door (A).
2. Put the operating unit in position. Make sure that the operating unit is not more than 50 cm from the appliance.
3. Make sure the gas supply line is connected to the gas regulator block. Refer to chapters [4.2.3](#) and [4.3](#).
4. Install the gas regulator block (B). Use the fasteners ©).
5. Put the receiver on a shelf in the top of the operating unit.
6. Put the light module on another shelf in the top of the operating unit.
7. Make sure that all electrical connections are properly connected.
8. Make sure the gas connections do not leak. Use soapy water or a leak tester.
9. Attach the frame with the door (A).

4.9 Install the mantle iron (optional, only for built-in installation)

1. Do step 1 - 6 of chapter [4.7](#).
2. Attach the draw bars with the turnbuckle to the mantle iron.



3. Attach the other end of the draw bars on the rear wall as high as possible. Use the expansion plugs and hooks.
4. Level the appliance with the turnbuckles. Make sure the distance between the mantle iron and the underside of the glass is the same at all sides.
5. Make sure the distance between the mantle iron and the top of the side panels is 2 mm.
6. Make sure the mantle iron is at right angles to the left and right side panels.
7. Put ceramic felt on top of the mantle iron. Brickwork can be built on top of the ceramic felt.

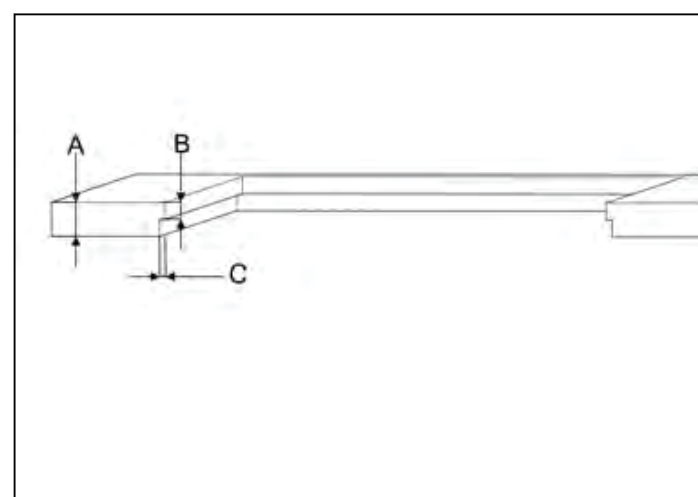
**Note:**

If you use other material than bricks, install the material in accordance with the instructions of the supplier of the material.

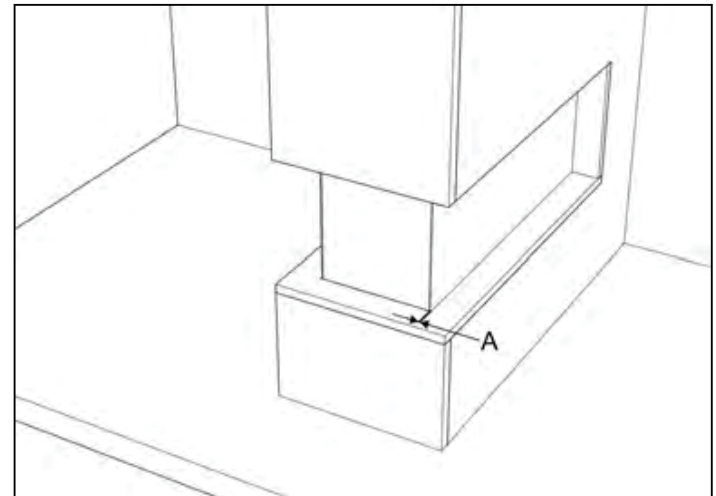
4.10 Fitting the natural stone plateau

If the appliance is finished with a natural stone plateau, please consider the following:

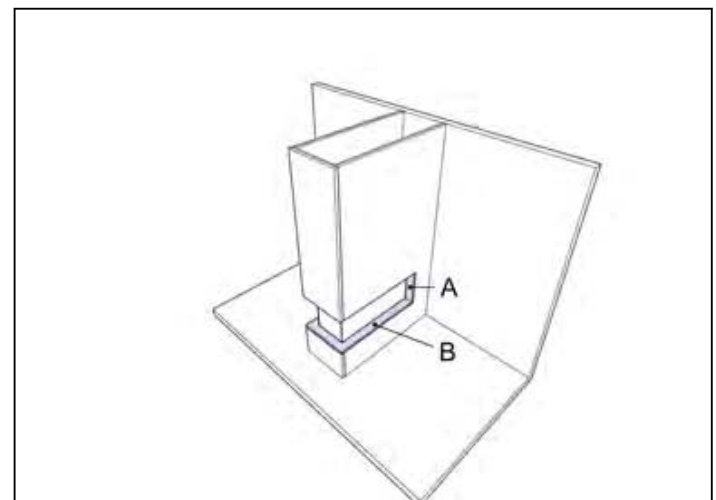
- Natural stone plateau dimensions:
 - a) A: Max. 30 mm
 - b) B: Max. 15 mm
 - c) C: Min. 5 mm



- Make sure that the distance A between the stone and glass is a minimum of 4 mm.



- The vertical stone strip or steel strip A must be removable, so that the glass can still be removed. (B is the natural stone plateau.)



5 Prepare the appliance for use

- Do all the procedures in this section. Optional procedures are indicated with (optional).

5.1 Do a check on the overpressure hatches

1. Make sure that the overpressure hatches are loose. Push the overpressure hatches up and lower them back in position.
2. Do a check on the gasket of the overpressure hatches. The gasket must seal the opening.
3. If necessary, replace the gasket. Lift the hatch and twist it to remove the hatch and to get access to the gasket.

5.2 Do a check on the operation of the lighting (MagniFire - MF only)

- Make sure that the operation of the ambient lights function well. To operate the lights with the remote control, refer to the user manual

5.3 Put the ceramic log set on the burner bed

- Magnifire burner (MF): refer to chapter [5.3.1](#).
- Centre Fire burner (CF) or Line Fire burner (LF): refer to chapter [5.3.2](#).

5.3.1 MagniFire (MF) ceramic log set

Safety conditions

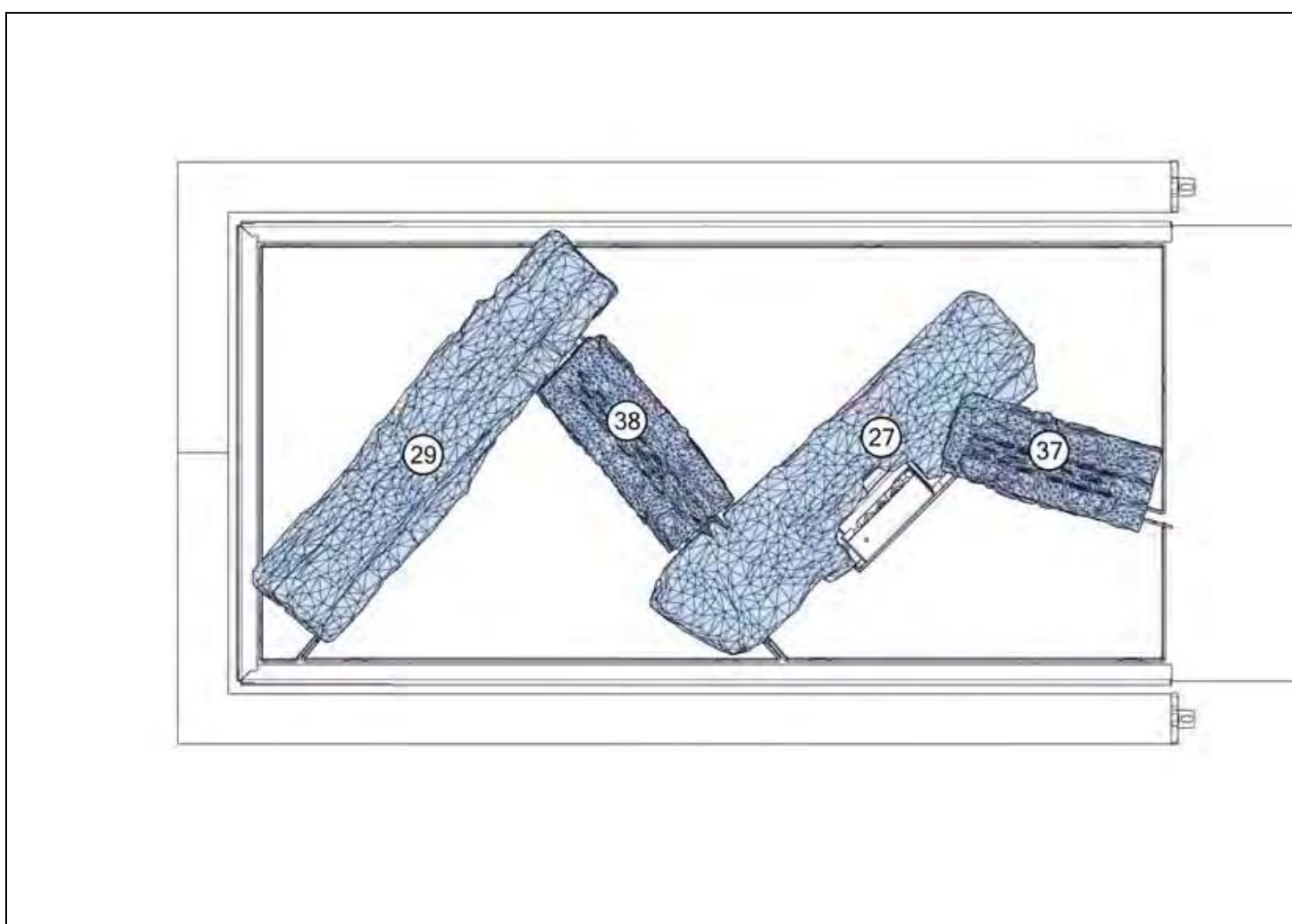


Warning:

- Make sure that none of the burner openings on the ceramic log set are blocked. Blockage of these openings can lead to a dangerous situation.
- Make sure the log set is in the correct position. If you put the items of the log set in another configuration, a dangerous situation can occur.
- Do not put anything against the pilot burner or in the protective pilot light cowl .
- Only use the items that are supplied.

Preparation

1. Make sure that all items of the log set are there. See [2.5.1](#).
2. Put the ceramic logs numbered 27, 29, 37 and 38 on the 4 main burners, as shown below. Refer to [2.5.1](#) for the numbers of the items.

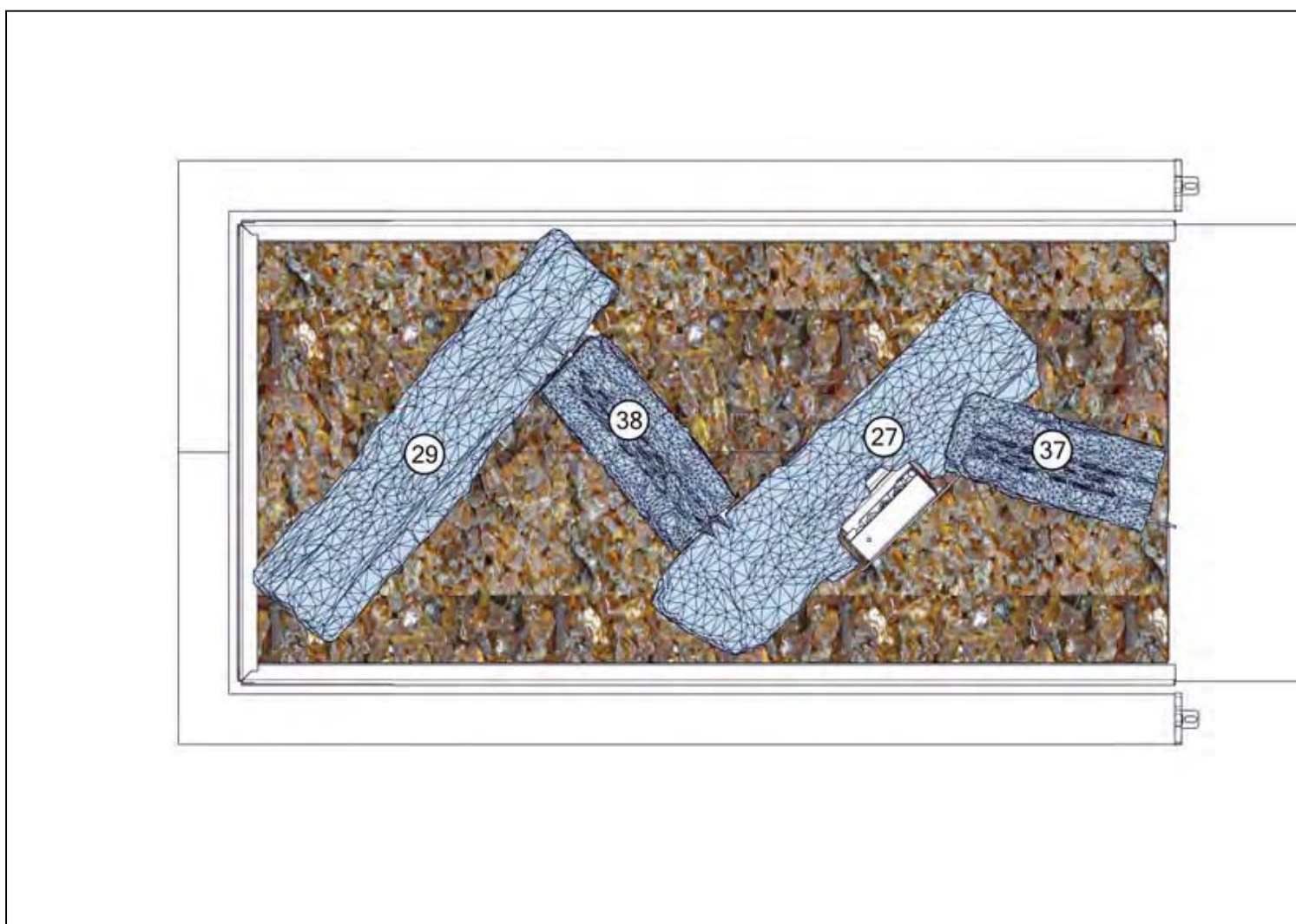


3. Mix the 2 fire glass colors - black and dark amber - and spread it on the bottom plate of the burner bed.



Note:

Set the light intensity of the ambient lighting to maximum on the remote control. Refer to the user manual. Make sure that the light intensity is the same everywhere. Adjust the distribution of the fire glass if necessary.



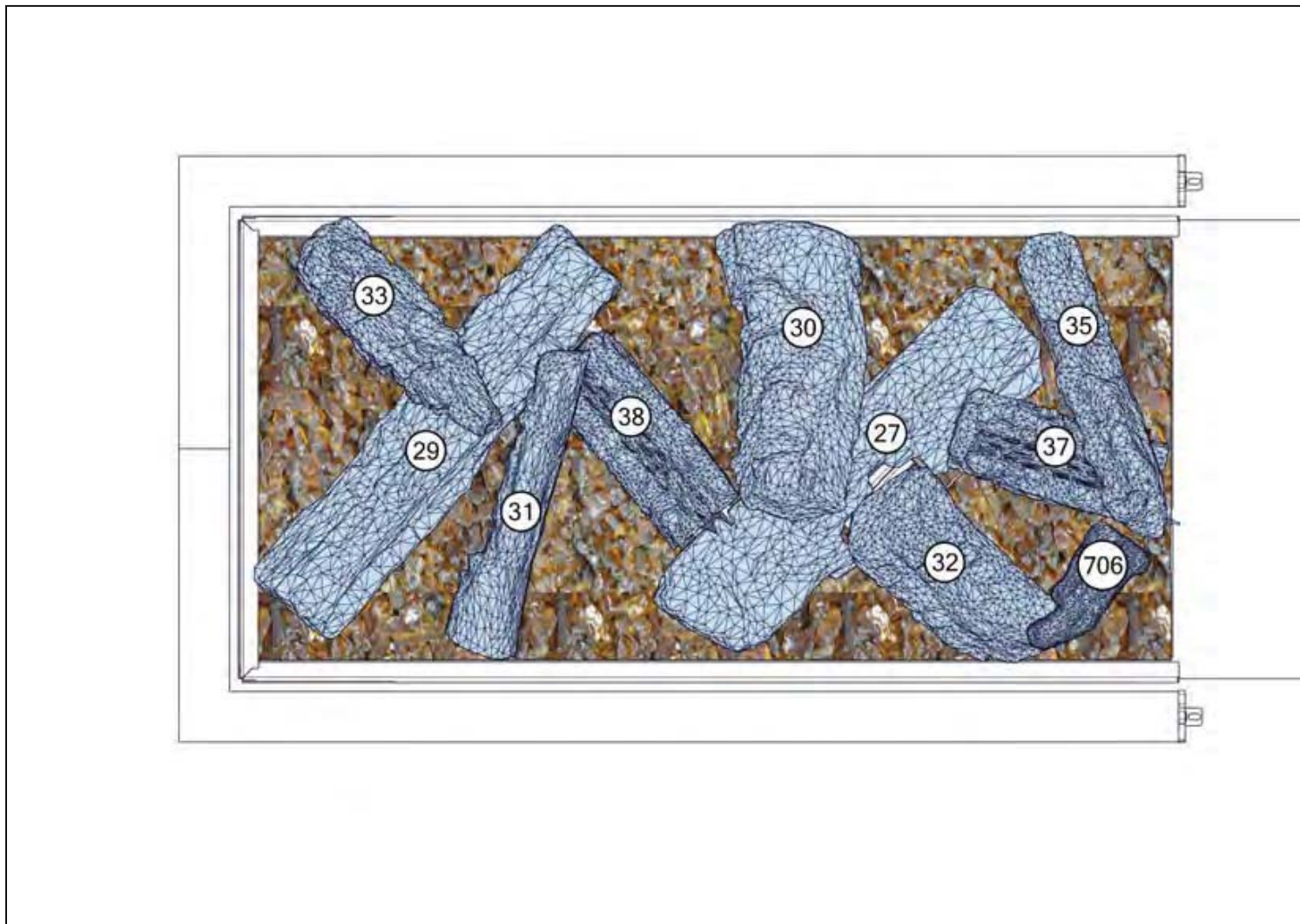
4. Optionally, Spread some embers on the fireglass around the the burner bed.



Caution:

Do not apply embers on the burner openings of the ceramic logs. Embers on the burner openings of the ceramic logs can cause a blockage of the openings.

5. Put the remaining logs, charcoal pieces and wood chips on the burner bed. Refer to [2.5.1](#) for the numbers of the items.



6. Optionally, spread the glow fibre randomly over the burner openings of the ceramic logs.
7. Install the glass panes. Refer to chapter [6.2.2](#).
8. Install the metal front panel and the metal side panels of the frame on the appliance. Refer to chapter [6.2.2](#).

5.3.2 Centre Fire (CF) / LineFire (LF) ceramic log set

Safety conditions



Warning:

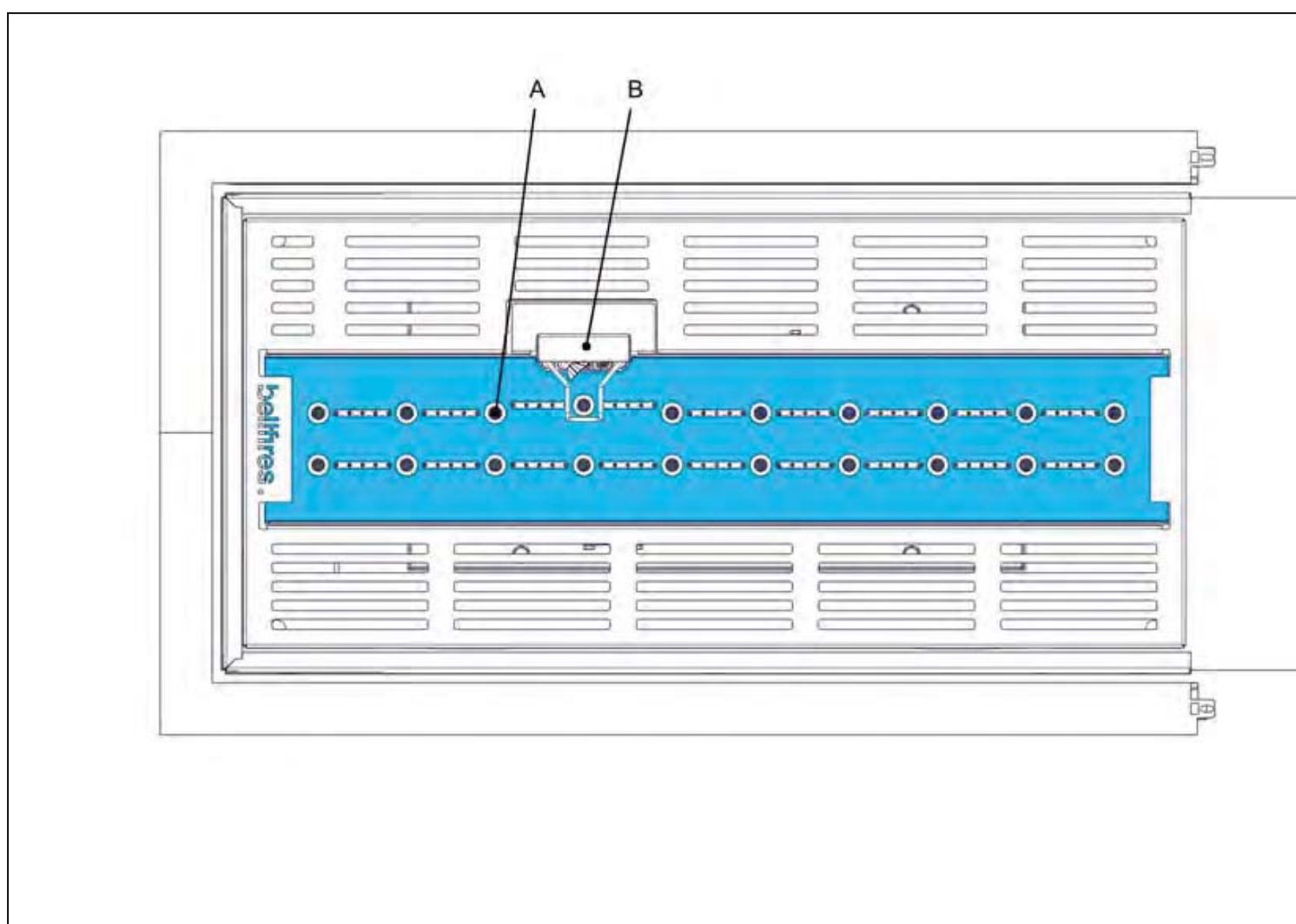
- Make sure that none of the 10 (CF) or 20 (LF) burner openings (A) are blocked. Blockage of the burner openings can lead to a dangerous situation.
- Do not put anything against the pilot burner or in the protective pilot light cowl (B).
- Only use the items that are supplied.
- Put the logs in the correct configuration for the type of gas used. If you put the logs in an other configuration, a dangerous situation can occur.

Preparation

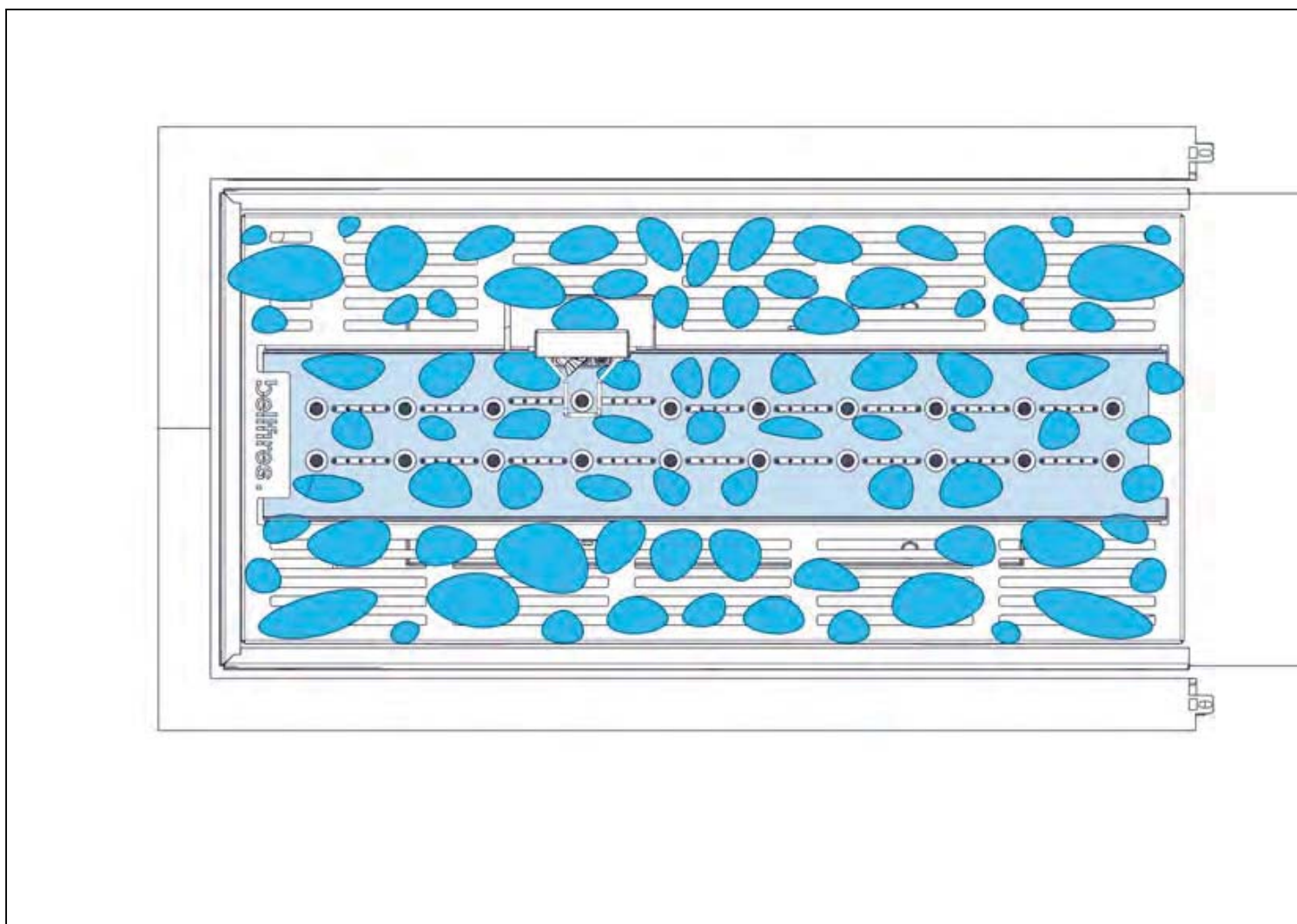
1. Make sure the burner mat is attached to the burner and the holes in the mat are in line with the burner openings.

**Note:**

The figure hereunder shows the Line Fire (LF) burner. The procedure described here is also valid for the Centre Fire (CF) burner.



2. Spread the embers evenly on the burner bed. Make sure the embers do not block the burner openings.



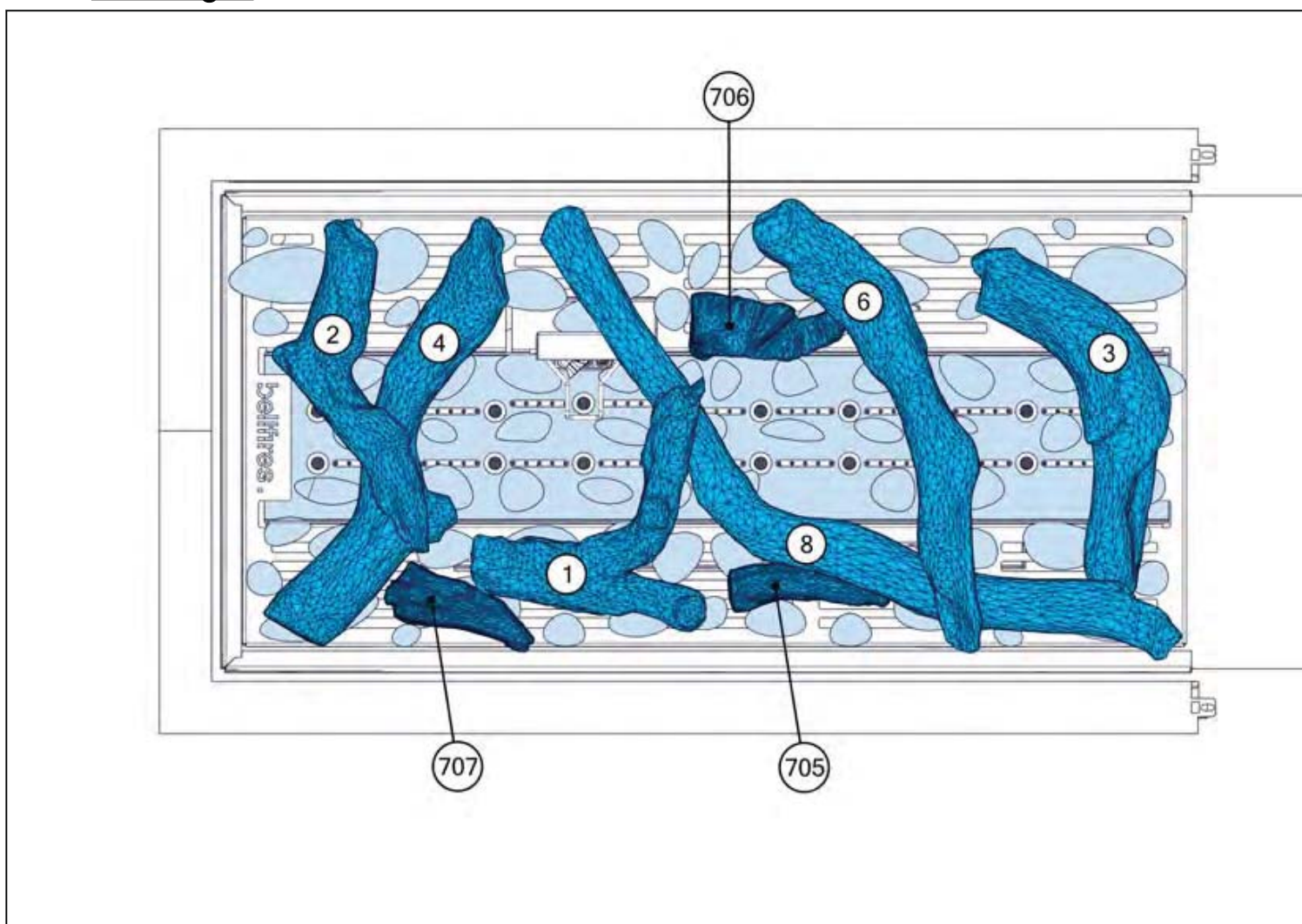
- 3. Apply the vermiculite granules evenly on the burner bed.



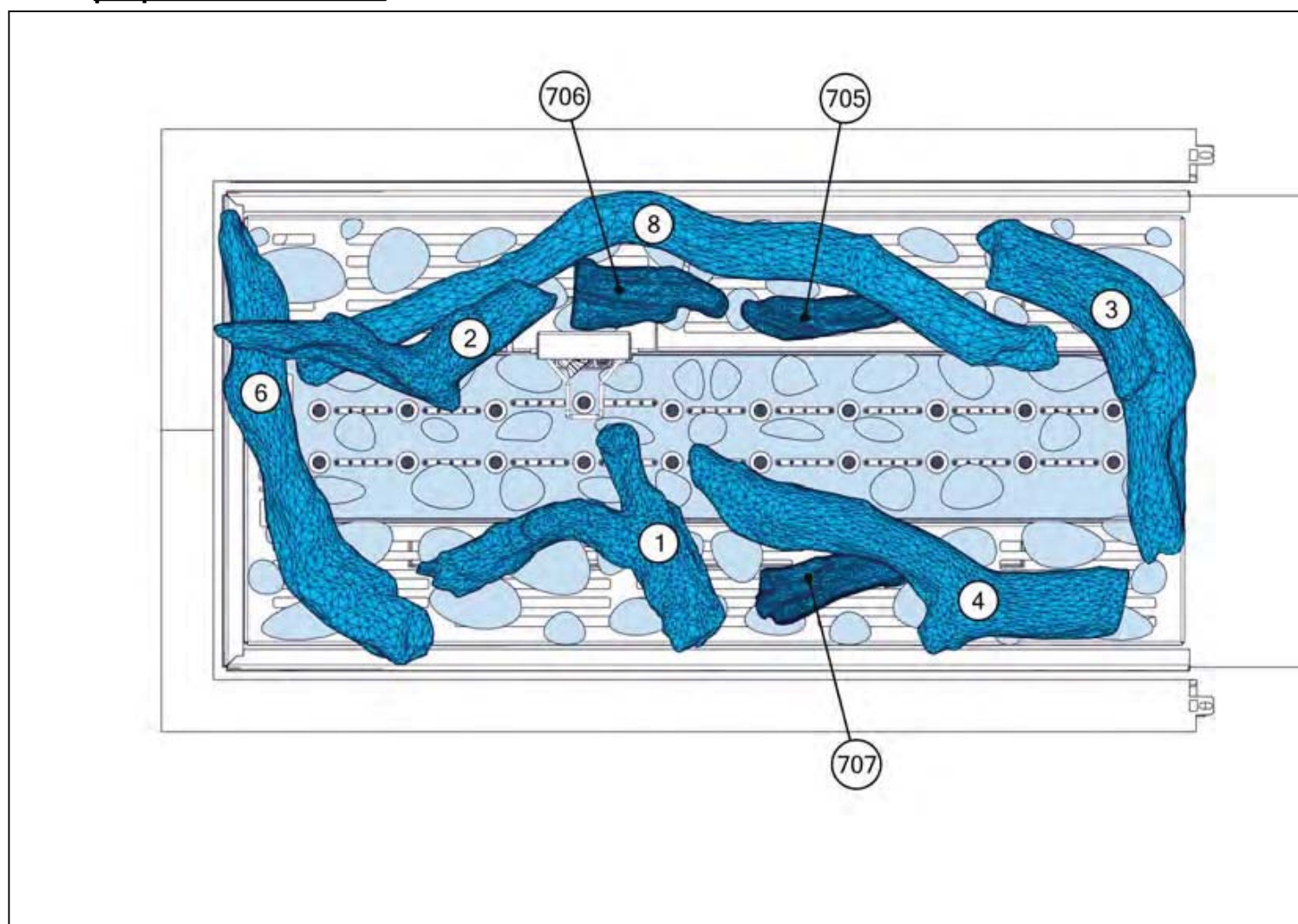
Caution:

Do not apply vermiculite granules on the burner openings. Vermiculite granules in the burner openings can cause a blockage of the burner openings.

- 4. Put the logs on the burner bed. Refer to [2.5.2](#) for the numbers of the logs.
 - a) For a **natural gas** burner as shown below.



b) For a **propane and butane** burner as shown below.



5. Put the ceramic wood chips on the burner bed.
6. Install the glass. Refer to chapter [6.2.2](#).

5.4 Put the pebbles on the burner bed (option, only for CF/LF burner)

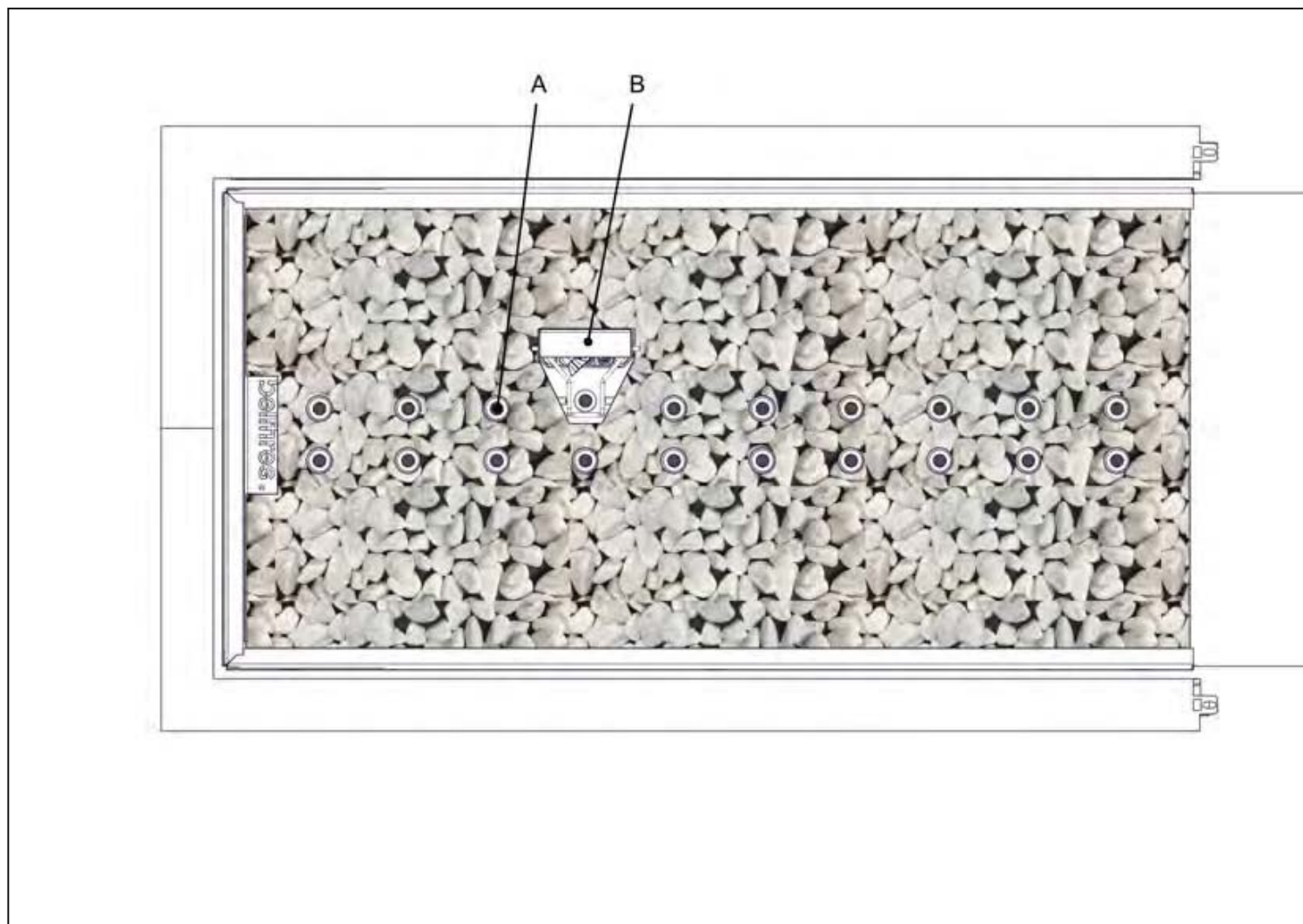
Safety conditions



Warning:

- Make sure that none of the burner openings (A) are blocked. Blockage of the burner openings can lead to a dangerous situation.
- Make sure that no pebbles are put against the pilot burner or in the protective pilot light cowl (B).
- Only use the items that are supplied.

Procedure



1. Make sure that the burner mat is attached to the burner.
2. Spread the pebbles evenly on the burner bed.
3. Install the glass. Refer to chapter [6.2.2](#).

5.5 Do a final check on the fireplace

Safety conditions



Caution:

Wait 4 weeks after the installation before you use the fireplace. The cement needs to harden. A final check on the fireplace can be done directly after the installation.

Procedure

1. Start the appliance and do a check on the ignition of the pilot light and main burner. The ignition must be quiet and must produce a calm flame. To start the appliance, refer to the user manual.
2. Do a check on the main burner. The flames increase in height and change from blue/yellow to yellow.
3. If all flames are yellow, the appliance is ready for use.

6 Maintenance

6.1 Annual maintenance

- Do all procedures in this section every year.



Caution:

- Use only original parts. Individual parts for replacement or accessories are available from your BELLFIRES-dealer.
- Introduced modifications to the appliance are not permitted.

6.1.1 Clean the fireplace

Safety conditions

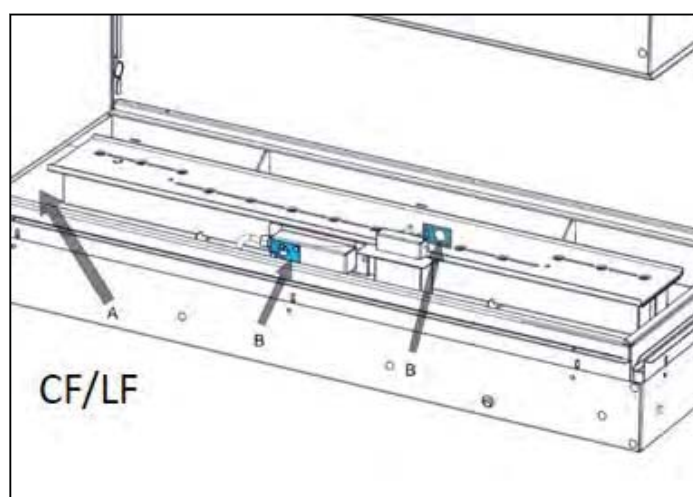
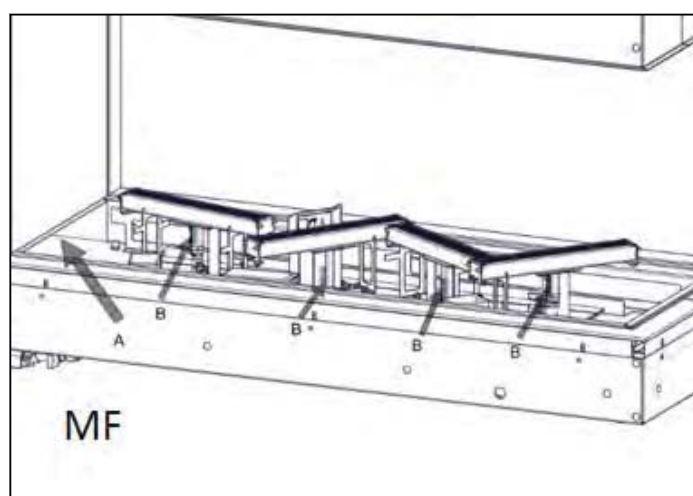


Caution:

- Turn off the gas supply to the appliance before cleaning.
- Turn off the power supply to the appliance before cleaning.
- Make sure the appliance has cooled down.

Procedure

1. Remove the glass. Refer to chapter [6.2.1](#).
2. Remove the content from the burner bed.
3. Clean the removed content carefully with a soft brush.
4. Clean the inside of the appliance, including the main burner, the pilot light burner and the flue system.



5. Clean the combustion air intake .
 - a) Remove the grate.
 - b) Clean the combustion air intake (A) at the bottom rear of the appliance.
 - c) Clean the primary combustion air inlet openings (B) of the main burners.
6. Do a check for damage on the inside of the appliance, including these parts:

- a) Main burners.
 - b) Pilot burner.
 - c) Combustion air intake.
 - d) Flue system. Use a flashlight if necessary.
7. Clean the glass. Refer to chapter [6.2.3](#) for instructions.
 8. If the black mirror rear wall is installed in the appliance, clean the black mirror. Use glass spray or ceramic hob cleaner.
 9. Prepare the appliance for use. Refer to chapter [5](#).

6.1.2 Do a check on the appliance

1. Do a check for leaks on the gas pipes and the gas pipe connections. Refer to item 4 of chapter [4.3](#).
2. Make sure that the pilot light operates correctly. The pilot light must not show any anomalies.
3. Make sure that the main burner operates correctly. The fire must not show any anomalies.
4. Do a check of the gas supply pressure and the burner pressure.
 - a) Use the inlet pressure tap and outlet pressure tap on the gas regulator block to measure the supply pressure and the burner pressure.
 - b) Measure the pressure when the appliance is off and when the appliance burns on maximum. Refer to chapter [8](#) for the required supply pressure and burner pressure.
5. MagniFire (MF) only: make sure that the ambient lighting operates correctly. Refer to chapter [5.2](#).
6. Do a check on the concentric flue system and the outlet construction. Make sure that all the connections of the concentric flue system are secure.

6.2 Maintenance procedures

6.2.1 Remove the glass panes



Caution:

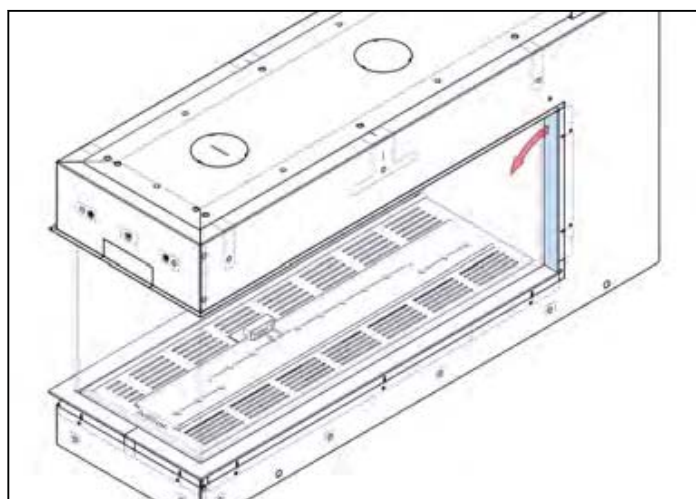
- Make sure the appliance has cooled down.
- Use protective gloves.



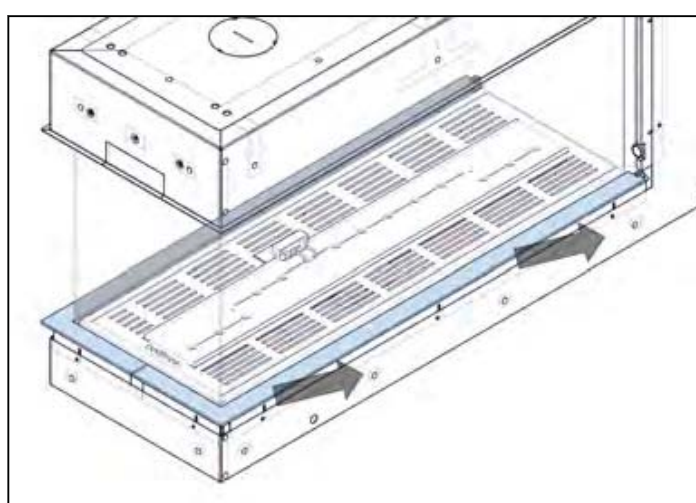
Note:

The images below show the Room Divider with large glass panes both at left and right side of the appliance.

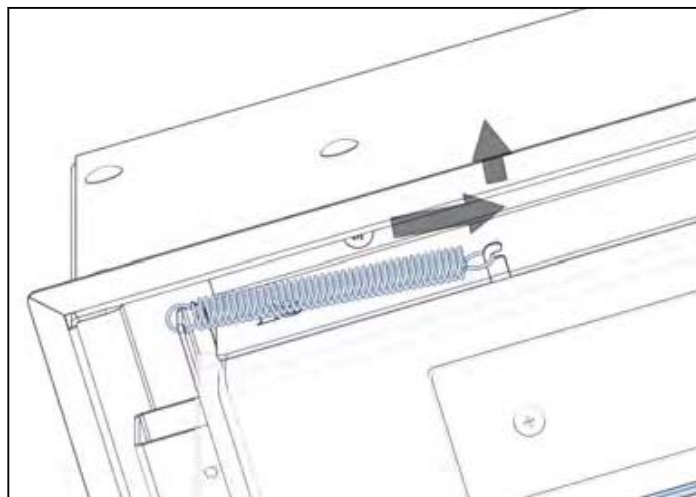
1. Turn off the gas supply to the appliance.
2. Move the top of the steel side panel sideways and lift it from the hole in the metal front panel. Remove the steel side panel



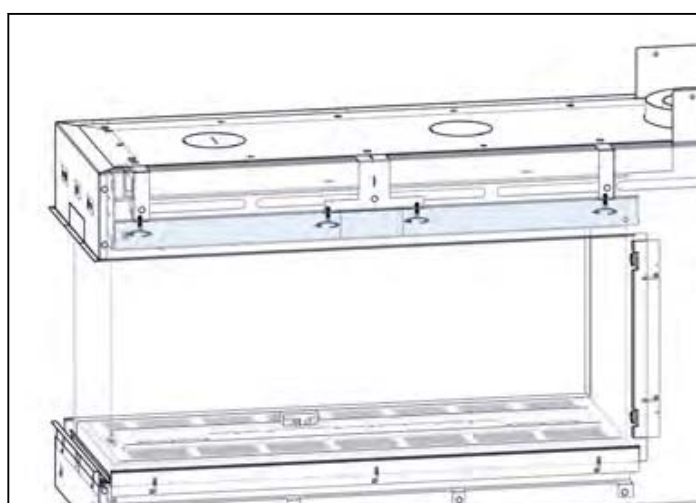
3. Repeat step 1 for the other steel side panel.
4. Carefully remove the 2 steel front panels



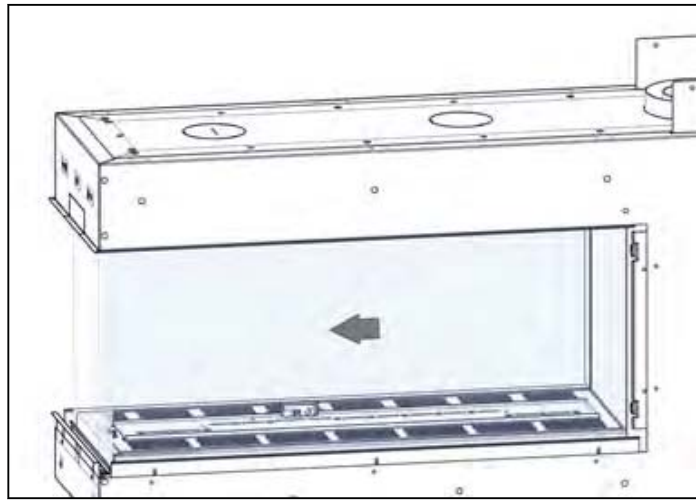
5. Unlock the 2 springs on the top front corner of the large side glass panes.



6. Loosen the 3 screws of the top glass holder along the large side glass pane. Do not remove the screws.

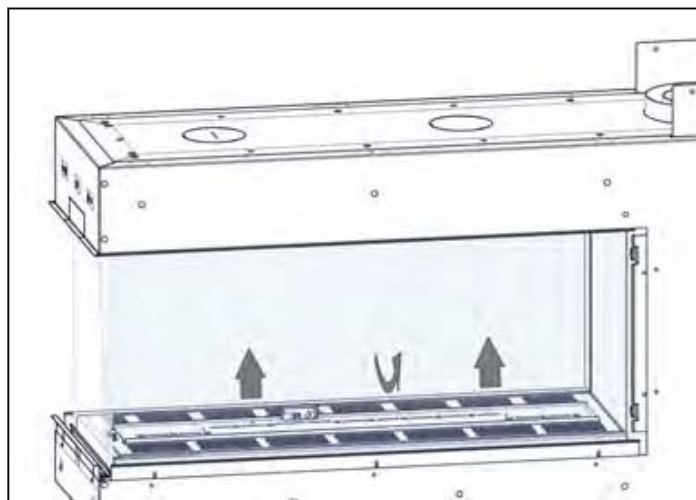


7. Move the glass holder a small distance forward.
8. Move the large side glass pane towards the front (towards the small side glass pane).



9. Lift the large side glass pane and move the bottom of the side glass plane forward. Remove the glass pane in a slanted manner .

For maintenance of the burner it is not needed to remove the small front glass pane and the other large glass pane. In the circumstance that also these glass panes must be removed do steps 10 to 12.



10. Repeat steps 2 to 6 to remove the other large front glass pane.
11. Move the top of small side glass pane forward.
12. Lift the small side glass pane and remove it.

6.2.2 Install the glass panes



Caution:

Use protective gloves.



Caution:

Make sure that the glass panes fit properly in the appliance and seals the inside of the appliance. If the glass does not fit properly there is a risk of flue gas leakage.

1. Install the glass panes and steel panels in the reverse order of the procedure described in chapter [6.2.1](#).
2. Move the front glass pane upward into the upper glass holder and then move the glass downward into the lower glass holder.
3. Move the side glass pane upward into the upper glass holder end then move it downward into the lower glass holder.
4. Repeat step 4 for the other side glass pane.
5. Move the side glass panes backward until the front end is level with the front glass pane.

6. Tighten on both sides of the appliance the screws on the top glass holders.
7. Lock the fastening levers on the top left and right side of the front glass pane.
8. Put the steel front panels on both sides of the appliance against the magnets.
9. Hold the steel side panel at an angle and put the cam into the hole of the steel front panel.
10. Move the steel side panel in a vertical position against the magnet.

**Caution:**

- Make sure the small front glass pane is placed exactly in the middle.
- Make sure that there are no gaps between the glass panes. Otherwise, there is risk of flue gas leakage.

6.2.3**Clean the glass**

Make sure to know which type of glass is in your appliance.

To clean anti-reflective glass refer to chapter '[Cleaning instructions for anti-reflective glass](#)'.

To clean standard glass refer to chapter '[Cleaning instructions for standard glass](#)'.

Cleaning instructions for anti-reflective glass**Caution:**

- Do not use hard sponges, steel wool, abrasives and cleaning agents containing ammonia.
- Do not use caustic products and products containing abrasives, such as ceramic hob cleaners.
- Do not use paper tissues.

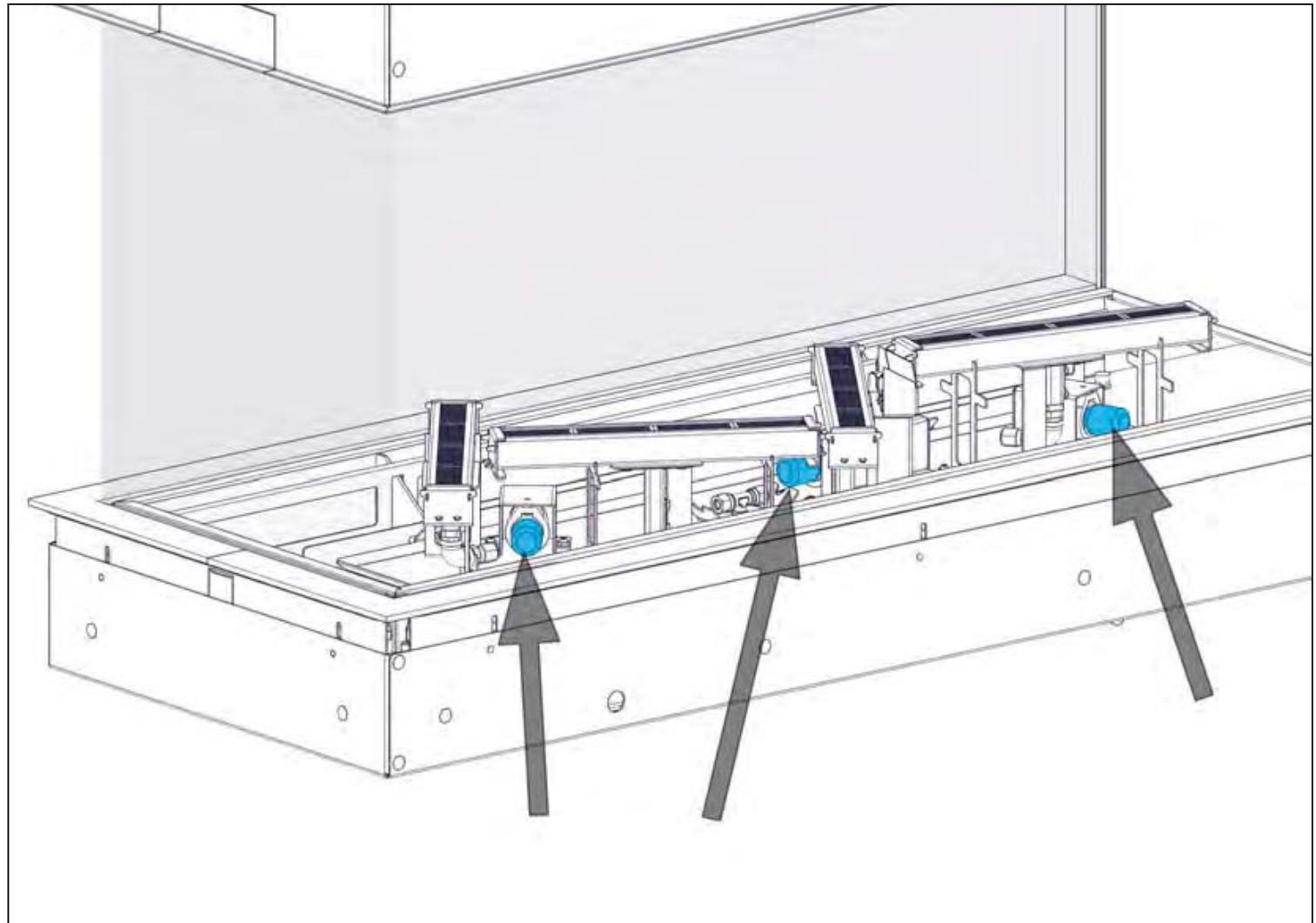
1. Use gloves to prevent fingerprints on the glass.
2. Make sure to use a neutral cleaning agent.
3. Clean the glass with a soft cloth or sponge.
4. Make sure the glass is dry. Water droplets can leave a mark on the glass.

Cleaning instructions for standard glass

1. Use gloves to prevent fingerprints on the glass.
2. Clean the glass with a soft cloth, a sponge or tissue paper. Use glass cleaner or ceramic hob cleaner.
3. Make sure the glass is dry. Water droplets can leave a mark on the glass.

6.2.4**Replace the ambient light bulb when broken (MF only)**

1. Turn off the power supply to the appliance.
2. Carefully remove the content from the burner bed.
3. Remove 3 grates.
4. Carefully unscrew the broken light bulb from the ceramic fitting.



5. Carefully turn the new light bulb in the ceramic fittings.

Caution:



- Turn the ambient light bulbs completely into the ceramic fitting!
- Use only the Bellfires ambient light bulb.

6. Prepare the appliance for use. Refer to [5](#).
7. Turn on the power supply to the appliance.
8. Make sure that the ambient lighting operates correctly. Refer to [5.2](#).

7 Troubleshooting

Problem	possible cause	solution
The main fire stops to burn	The concentric flue system is not installed according to the specified instructions.	Install the concentric flue system correctly. Refer to the preparation manual.
	An incorrect flue gas restriction plate is fitted.	Install the correct gas restriction plate. Refer to 4.5.
	Insufficient pressure of the gas supply.	Contact your gas supplier company
	The concentric system has a leak. The leak is possibly on the inside of the concentric flue.	Check the concentric flue system. Refer to the preparation manual for correct installation.
	There is no power supply (230 VAC).	Repair the power supply.
The appliance does not react on the remote control	The batteries of the remote control are empty.	Replace the batteries. Refer to the user manual.
The pilot burner stops to burn	There is insufficient exhaust of the flue gases.	Check the concentric flue system. Refer to the preparation manual for correct installation.
	The pilot burner is dirty.	Clean the pilot burner
	The pilot burner is defective.	Replace the pilot burner
	The thermocouple is defective	Replace the thermocouple
The light does not operate	The light bulb is defective	Replace the light bulb
A loud noise occurs in the appliance	The overpressure door (= glass front) and overpressure hatches are activated.	Do a check on the appliance for damage. Contact your dealer.
The lacquer of the appliance is damaged		Use an aerosol can with heat resistant lacquer to repair any damage in the laquer.

8 Technical specification

8.1 Room Divider Medium 3 (L/R) (Centre Fire)

	Natural gas/ Bio-methane	Butane/ Propane/ Bio-propane
Name	Bellfires	Bellfires
Model	Room Divider Medium 3 CF Room Divider Medium 3 L/R CF	Room Divider Medium 3 CF Room Divider Medium 3 L/R CF
Country	GB, IE, ES, IT	GB, IE, ES, IT
Product identification no	0063CM3684	0063CM3684
Indirect heating functionality	No	No
Type of appliance under CE-norm	C ₁₁ / C ₃₁ / C ₉₁	C ₁₁ / C ₃₁ / C ₉₁
Category of appliance	I _{2H} natural gas - bio-methane G20	I _{3B/P} butane G30 / propane - bio-propane G31
Energy efficiency class	A	A
Energy efficiency index (EEI)	89	89
Nominal heat input (Gross calorific value)	10.5 kW	Butane (G30) : 9.7 kW Propane (G31) : 8.1 kW
Nominal heat output	8.1 kW	Butane (G30) : 7.5 kW Propane (G31) : 6.2 kW
Minimum heat output (indicative)	2.3 kW	Butane (G30) : 1.7 kW Propane (G31) : 1.5 kW
Useful efficiency (Net Calorific Value (NCV)) at nominal heat output	91.2 %	89.9 %
Useful efficiency (Net Calorific Value (NCV)) at minimum heat output (indicative)	86.2 %	84.9 %
NO _x (max.) (Gross Calorific Value (GCV))	<130 mg/kWh _{input}	<130 mg/kWh _{input}
NO _x class	5	5
Gas rate (max.)	1.03 m ³ _s /hr.	Butane (G30) : 750 gr/hr. Propane (G31) : 620 gr/hr.
Supply pressure	20.0 mbar	Butane (G30) : 37.0 mbar Propane (G31) : 37.0 mbar
Burner pressure (max.) Hot	13.6 mbar (*)	29.0 mbar (*)
Burner pressure (max.) Cold	12.9 mbar (**)	29.0 mbar (**)
Burner pressure (min.)	1.4 mbar (***)	1.8 mbar (***)
Primary air inlet burner rear	1x Ø10 mm	1x Ø20 ^{corner} mm + 2x Ø5.0 mm
Primary air inlet burner front	1x Ø10 mm	1x Ø20 ^{corner} mm + 2x Ø5.0 mm
Gas regulator block (remote control)	Mertik GV 60	Mertik GV 60

	Natural gas/ Bio-methane	Butane/ Propane/ Bio-propane
Main burner	Centre Fire 694x130 mm	Centre Fire 694x130 mm
Main burner injector rear	no 190 (= Ø1.90 mm)	no 110 (= Ø1.10 mm)
Main burner injector front	no 190 (= Ø1.90 mm)	no 115 (= Ø1.15 mm)
Pilot light burner	SIT 0.145.019	SIT 0.145.019
Pilot light burner injector	no 36 (SIT 0.977.091)	no 23 (SIT 0.977.150)
Gas connection	3/8" G / Ø12 mm	3/8" G / Ø12 mm
Concentric flue system connection	Ø100 mm - Ø150 mm or Ø130 mm - Ø200 mm	Ø100 mm - Ø150 mm or Ø130 mm - Ø200 mm
Batteries remote control receiver	None	None
batteries remote control hand transmitter	2x 1.5V AAA	2x 1.5V AAA
Electrical connection	230 VAC / 50 Hz	230 VAC / 50 Hz
Auxiliary electricity consumption at nominal heat output	0 kW	0 kW
Auxiliary electricity consumption at minimum heat output	0 kW	0 kW
Auxiliary electricity consumption in standby mode	0 kW	0 kW
Weight:		
basic model	116 kg	116 kg
including all options	158 kg	158 kg
The specific precautions that shall be taken when the local space heater is assembled, installed or maintained, are listed in the attached documents:	<ul style="list-style-type: none"> • Preparation manual • Installation and maintenance manual • User manual 	<ul style="list-style-type: none"> • Preparation manual • Installation and maintenance manual • User manual

(*) Both burners at maximum. Appliance is on temperature.

(**) Both burners at maximum. Appliance is cold.

(***) Both burners at minimum.

Heat changing surface: Entire front of the appliance.

8.2

Room Divider Medium 3 (L/R) (Line Fire)

	Natural gas/ Bio-methane	Butane/ Propane/ Bio-propane
Name	Bellfires	Bellfires
Model	Room Divider Medium 3 LF Room Divider Medium 3 L/R LF	Room Divider Medium 3 LF Room Divider Medium 3 L/R LF
Country	GB, IE, ES, IT	GB, IE, ES, IT
Product identification no	0063CM3684	0063CM3684
Indirect heating functionality	No	No
Type of appliance under CE-norm	C ₁₁ / C ₃₁ / C ₉₁	C ₁₁ / C ₃₁ / C ₉₁

	Natural gas/ Bio-methane	Butane/ Propane/ Bio-propane
Category of appliance	I _{2H} natural gas - bio-methane G20	I _{3B/P} butane G30 / propane - bio-propane G31
Energy efficiency class	A	A
Energy efficiency index (EEI)	89	89
Nominal heat input (Gross calorific value)	11.0 kW	Butane (G30) : 10.9 kW Propane (G31) : 9.3 kW
Nominal heat output	8.5 kW	Butane (G30) : 8.4 kW Propane (G31) : 7.2 kW
Minimum heat output (indicative)	2.9 kW	Butane (G30) : 2.2 kW Propane (G31) : 1.8 kW
Useful efficiency (Net Calorific Value (NCV)) at nominal heat output	91.2 %	89.9 %
Useful efficiency (Net Calorific Value (NCV)) at minimum heat output (indicative)	86.1 %	84.9 %
NO _x (max.) (Gross Calorific Value (GCV))	<130 mg/kWh _{input}	<130 mg/kWh _{input}
NO _x class	5	5
Gas rate (max.)	1.06 m ³ _s /hr.	Butane (G30) : 850 gr/hr. Propane (G31) : 700 gr/hr.
Supply pressure	20.0 mbar	Butane (G30) : 37.0 mbar Propane (G31) : 37.0 mbar
Burner pressure (max.) Hot	12.0 mbar (*)	29.0 mbar (*)
Burner pressure (max.) Cold	11.3 mbar (**)	29.0 mbar (**)
Burner pressure (min.)	1.9 mbar (***)	2.1 mbar (***)
Primary air inlet burner rear	1x Ø8 mm	1x Ø20 ^{corner} mm + 2x Ø5.0 mm
Primary air inlet burner front	1x Ø8 mm	1x Ø20 ^{corner} mm + 2x Ø5.0 mm
Gas regulator block (remote control)	Mertik GV 60	Mertik GV 60
Main burner	Line Fire 694x130 mm	Line Fire 694x130 mm
Main burner injector rear	no 180 (= Ø1.80 mm)	no 110 (= Ø1.10 mm)
Main burner injector front	no 220 (= Ø2.20 mm)	no 130 (= Ø1.30 mm)
Pilot light burner	SIT 0.145.019	SIT 0.145.019
Pilot light burner injector	no 36 (SIT 0.977.091)	no 23 (SIT 0.977.150)
Gas connection	3/8" G / Ø12 mm	3/8" G / Ø12 mm
Concentric flue system connection	Ø100 mm - Ø150 mm or Ø130 mm - Ø200 mm	Ø100 mm - Ø150 mm or Ø130 mm - Ø200 mm
Batteries remote control receiver	None	None

	Natural gas/ Bio-methane	Butane/ Propane/ Bio-propane
batteries remote control hand transmitter	2x 1.5V AAA	2x 1.5V AAA
Electrical connection	230 VAC / 50 Hz	230 VAC / 50 Hz
Auxiliary electricity consumption at nominal heat output	0 kW	0 kW
Auxiliary electricity consumption at minimum heat output	0 kW	0 kW
Auxiliary electricity consumption in standby mode	0 kW	0 kW
Weight:		
basic model	116 kg	116 kg
including all options	158 kg	158 kg
The specific precautions that shall be taken when the local space heater is assembled, installed or maintained, are listed in the attached documents:	<ul style="list-style-type: none"> • Preparation manual • Installation and maintenance manual • User manual 	<ul style="list-style-type: none"> • Preparation manual • Installation and maintenance manual • User manual

(*) Both burners at maximum. Appliance is on temperature.

(**) Both burners at maximum. Appliance is cold.

(***) Both burners at minimum.

Heat changing surface: Entire front of the appliance.

8.3 Room Divider Medium 3 (L/R) (MagniFire)

	Natural gas/ Bio-methane	Butane/ Propane/ Bio-propane
Name	Bellfires	Bellfires
Model	Room Divider Medium 3 MF Room Divider Medium 3 L/R MF	Room Divider Medium 3 MF Room Divider Medium 3 L/R MF
Country	GB, IE, ES, IT	GB, IE, ES, IT
Product identification no	0063CM3684	0063CM3684
Indirect heating functionality	No	No
Type of appliance under CE-norm	C ₁₁ / C ₃₁ / C ₉₁	C ₁₁ / C ₃₁ / C ₉₁
Category of appliance	I _{2H} natural gas - bio-methane G20	I _{3B/P} butane G30 / propane - bio-propane G31
Energy efficiency class	A	A
Energy efficiency index (EEI)	90	90
Nominal heat input (Gross calorific value)	10.1 kW	Butane (G30) : 9.2 kW Propane (G31) : 7.8 kW
Nominal heat output	8.3 kW	Butane (G30) : 7.6 kW Propane (G31) : 6.5 kW
Minimum heat output (indicative)	4.8 kW	Butane (G30) : 3.1 kW Propane (G31) : 2.6 kW

	Natural gas/ Bio-methane	Butane/ Propane/ Bio-propane
Useful efficiency (Net Calorific Value (NCV)) at nominal heat output	91.8 %	92.0 %
Useful efficiency (Net Calorific Value (NCV)) at minimum heat output (indicative)	86.8 %	87.0 %
NO _x (max.) (Gross Calorific Value (GCV))	<130 mg/kWh _{input}	<130 mg/kWh _{input}
NO _x class	4	4
Gas rate (max.)	0.93 m ³ _s /hr.	Butane (G30) : 680 gr/hr. Propane (G31) : 560 gr/hr.
Supply pressure	20.0 mbar	Butane (G30) : 37.0 mbar Propane (G31) : 37.0 mbar
Burner pressure (max.) Hot	13.0 mbar (*)	29.0 mbar (*)
Burner pressure (max.) Cold	12.3 mbar (**)	29.0 mbar (**)
Burner pressure (min.)	6.0 mbar (***)	6.0 mbar (***)
Primary air inlet burner 1 (glass side)	Ø5 mm	Ø8 x 15 mm
Primary air inlet burner 2	Ø5 mm	Ø8 x 15 mm
Primary air inlet burner 3	Ø5 mm	Ø8 x 15 mm
Primary air inlet burner 4	Ø5 mm	Ø8 x 15 mm
Gas regulator block (remote control)	Mertik GV 60	Mertik GV 60
Main burner 1 (glass side)	MagniFire 265x40 mm	MagniFire 265x40mm
Main burner 2	MagniFire 200x40 mm	MagniFire 200x40 mm
Main burner 3	MagniFire 265x40 mm	MagniFire 265x40mm
Main burner 4	MagniFire 135x40 mm	MagniFire 135x40 mm
Main burner injector, burner 1 (glass side)	no 140 (= Ø1.40 mm)	no 85 (= Ø0.85 mm)
Main burner injector, burner 2	no 150 (= Ø1.50 mm)	no 80 (= Ø0.80 mm)
Main burner injector, burner 3	no 140 (= Ø1.40 mm)	no 85 (= Ø0.85 mm)
Main burner injector, burner 4	no 110 (= Ø1.10 mm)	no 60 (= Ø0.60 mm)
Pilot light burner	SIT 0.145.019	SIT 0.145.019
Pilot light burner injector	no 36 (SIT 0.977.091)	no 23 (SIT 0.977.150)
Gas connection	3/8" G / Ø12 mm	3/8" G / Ø12 mm
Concentric flue system connection	Ø100 mm - Ø150 mm or Ø130 mm - Ø200 mm	Ø100 mm - Ø150 mm or Ø130 mm - Ø200 mm
Batteries remote control receiver	None	None
batteries remote control hand transmitter	2x 1.5V AAA	2x 1.5V AAA
Electrical connection	230 VAC / 50 Hz	230 VAC / 50 Hz
Auxiliary electricity consumption at nominal heat output	0.075 kW	0.075 kW

	Natural gas/ Bio-methane	Butane/ Propane/ Bio-propane
Auxiliary electricity consumption at minimum heat output	0 kW	0 kW
Auxiliary electricity consumption in standby mode	0 kW	0 kW
Weight:		
basic model	116 kg	116 kg
including all options	158 kg	158 kg
The specific precautions that shall be taken when the local space heater is assembled, installed or maintained, are listed in the attached documents:	<ul style="list-style-type: none"> • Preparation manual • Installation and maintenance manual • User manual 	<ul style="list-style-type: none"> • Preparation manual • Installation and maintenance manual • User manual

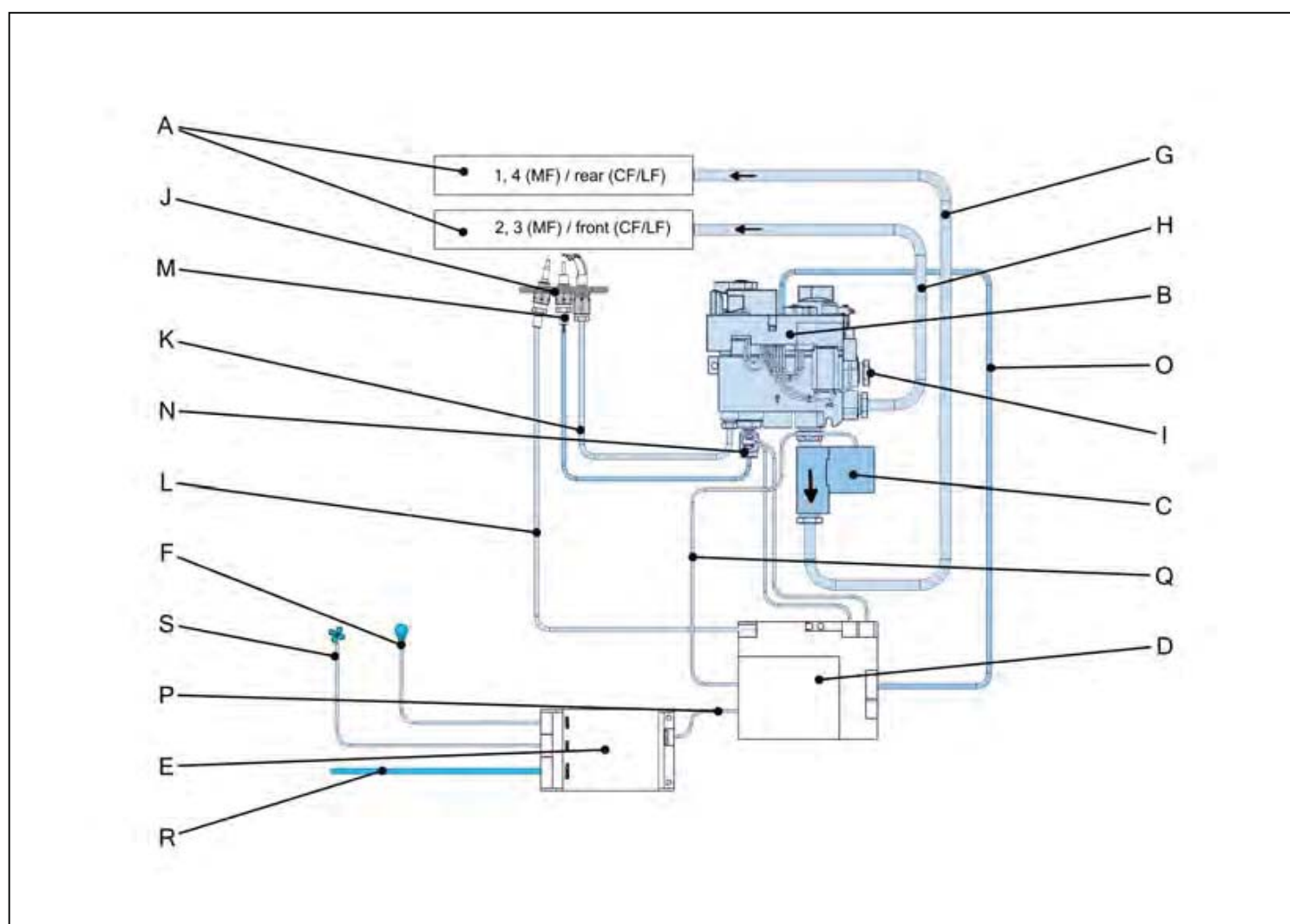
(*) All burners at maximum. Appliance is on temperature.

(**) All burners at maximum. Appliance is cold.

(***) All burners at minimum.

Heat changing surface: Entire front of the appliance.

8.4 Diagram electricity and gas



Item	
A	Main burners 1 to 4 (MF) / Main burners front and rear (CF/LF)
B	Gas regulator block
C	Gas valve of the rear burner
D	Receiver
E	Fan/Light module

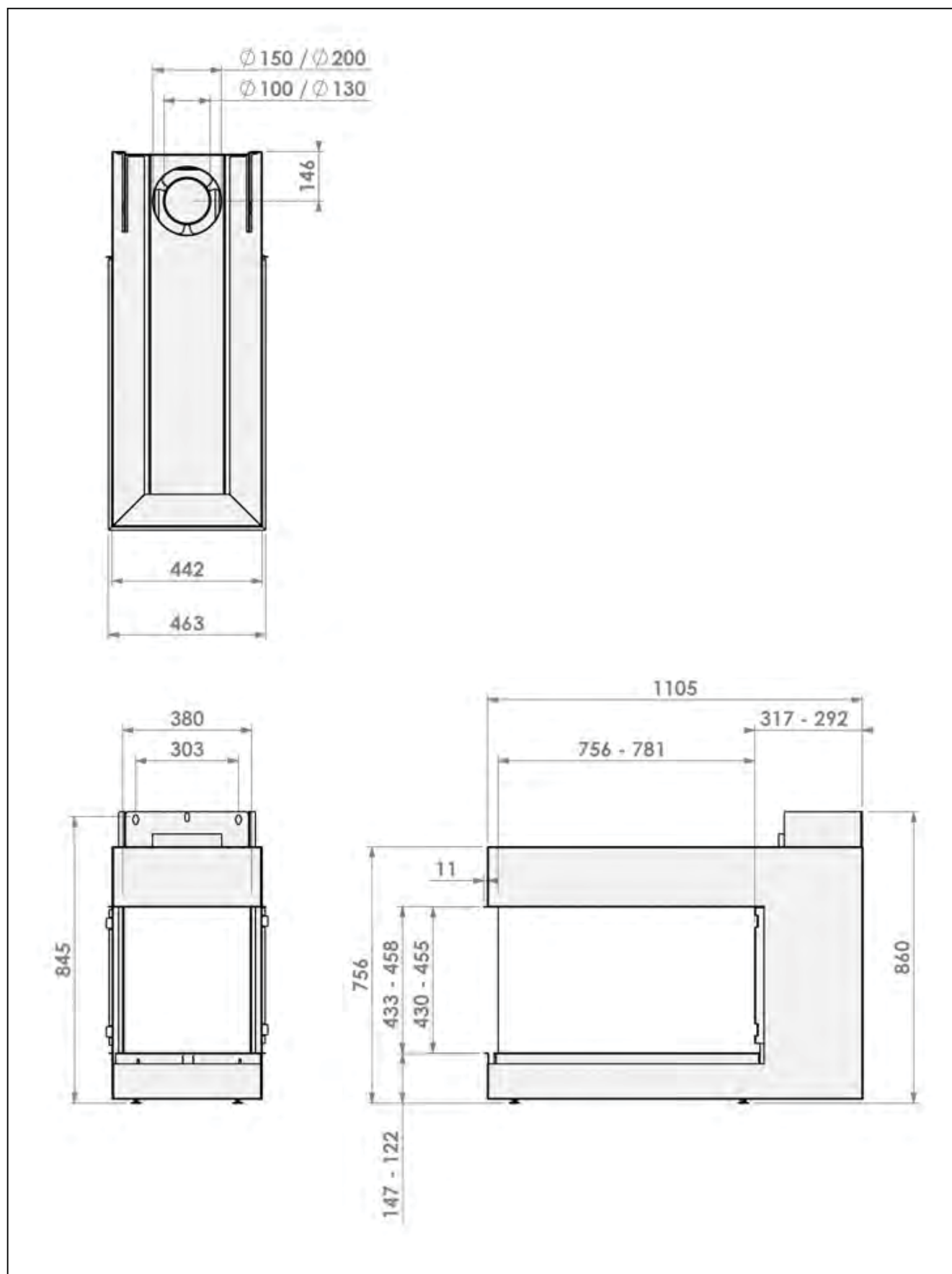
	Item
F	Ambient lighting
G	Gas pipe rear burner
H	Gas pipe front burner
I	Gas supply connection
J	Pilot light burner
K	Pilot light pipe
L	Piezo cable
M	Thermocouple
N	Thermocouple interrupter
O	8 wire cable
P	5 wire cable
Q	2 wire cable
R	Connecting cable 230VAC with earthed plug
S	Not available for the

8.5 Dimensions of the restriction plate

Width of the delivered flue restriction plates in mm	
Concentric flue connection Ø100 - Ø150	Concentric flue connection Ø130 - Ø200
Roof-mounted outlet	Horizontal wall outlet
30 mm	40mm
40 mm	50 mm
50 mm	65 mm
65 mm	80 mm

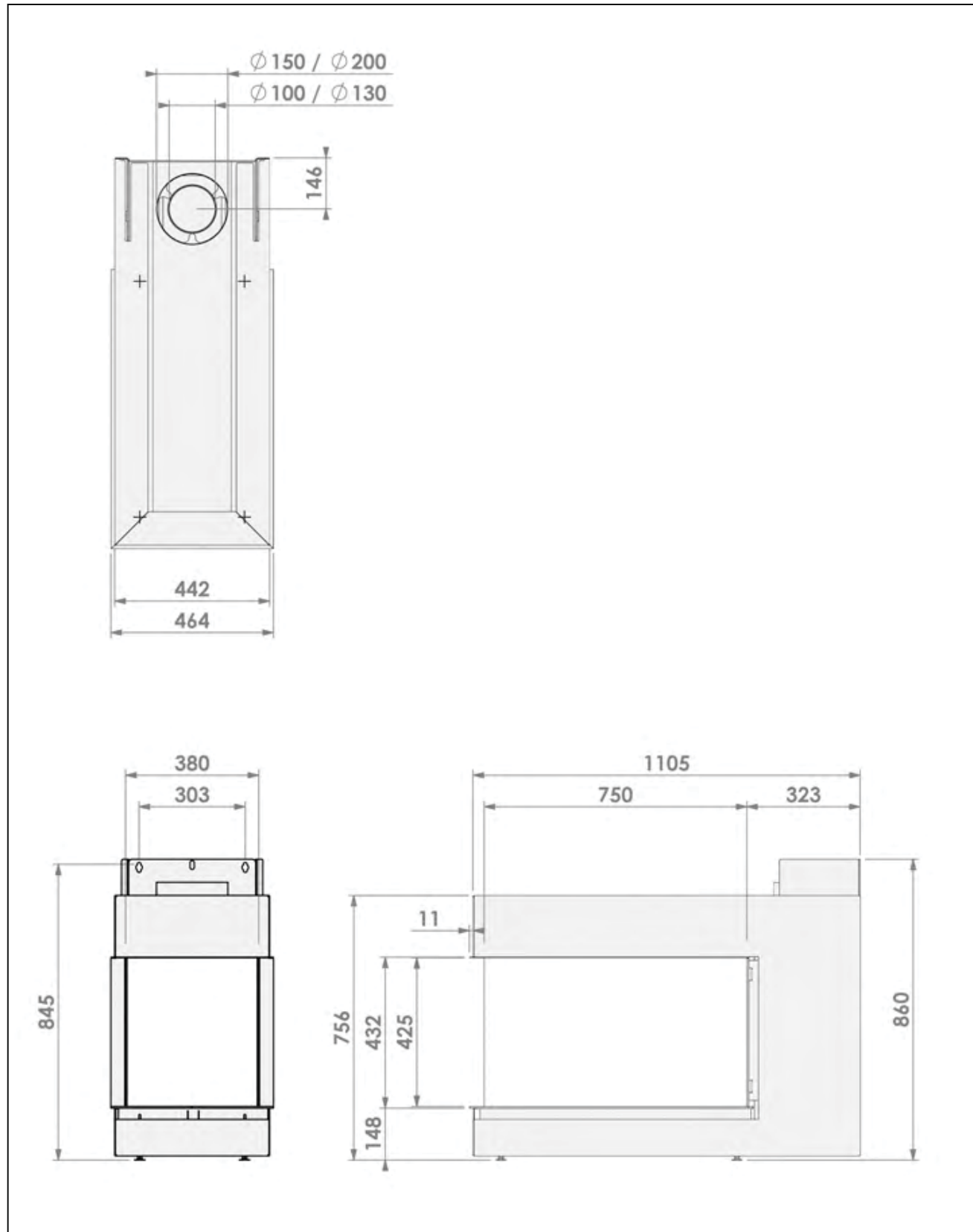
9 Dimensions

9.1 Roomdivider Medium 3 - without frame

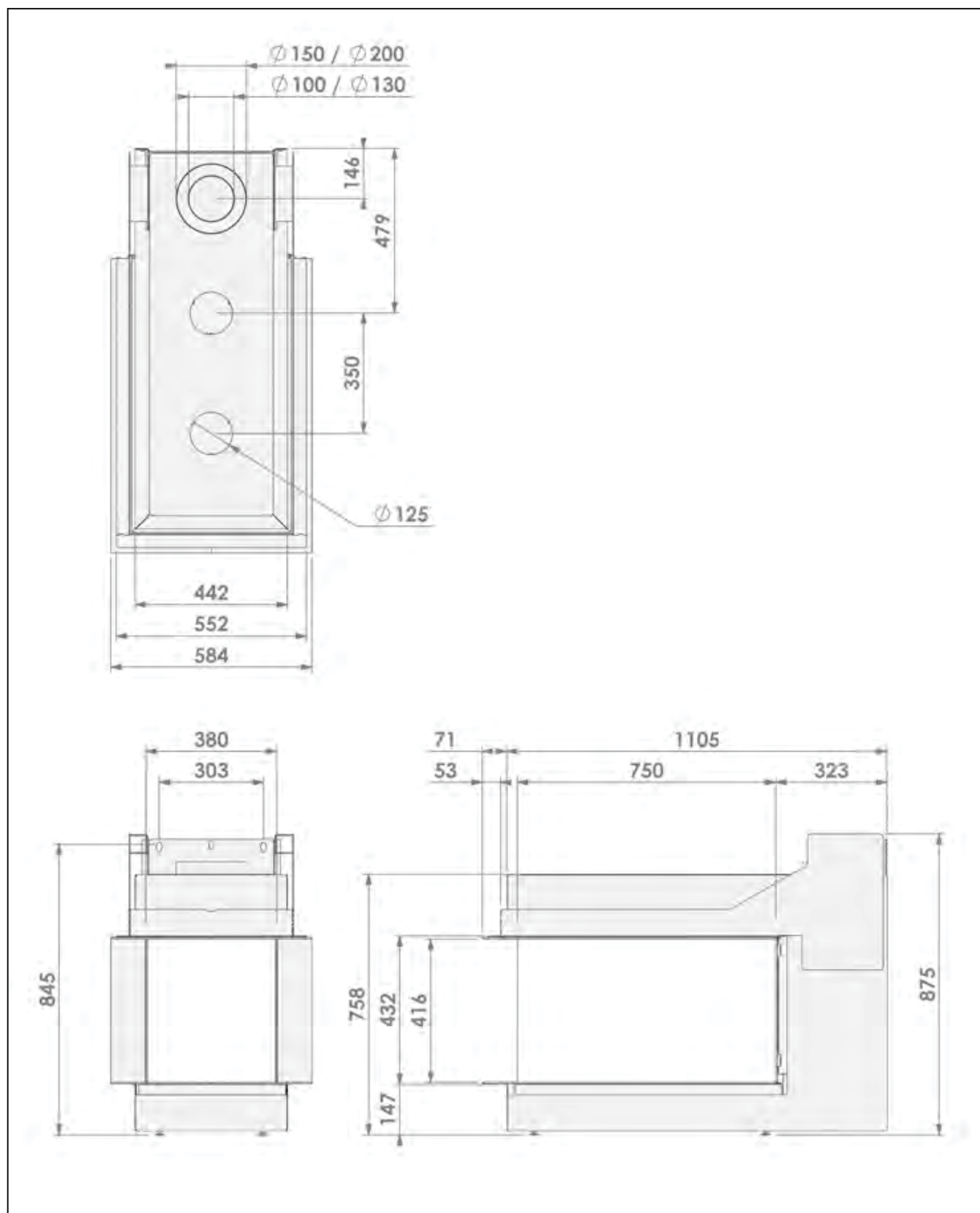


9.2 Roomdivider Medium 3 - hidden door

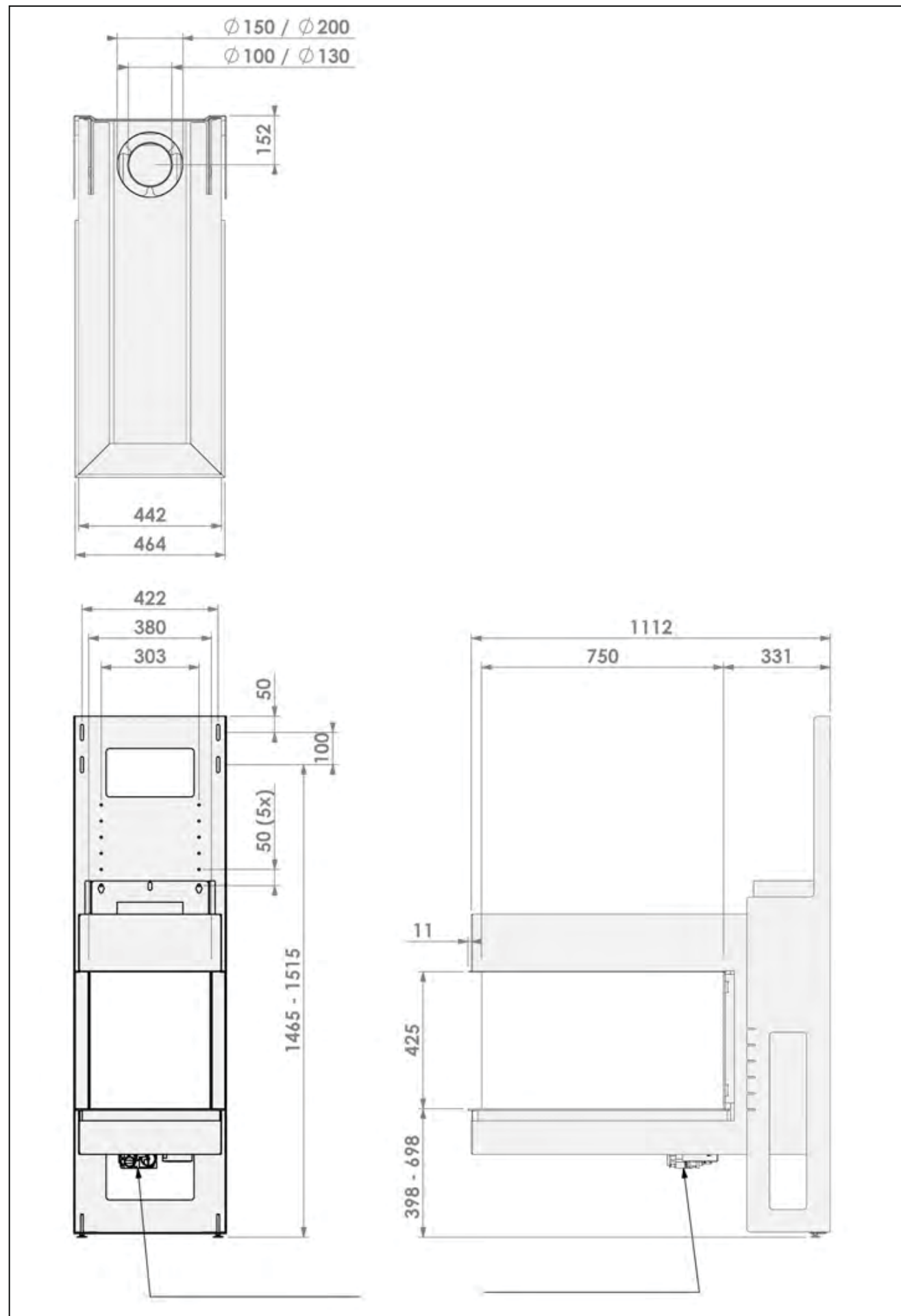
With optional convection casing



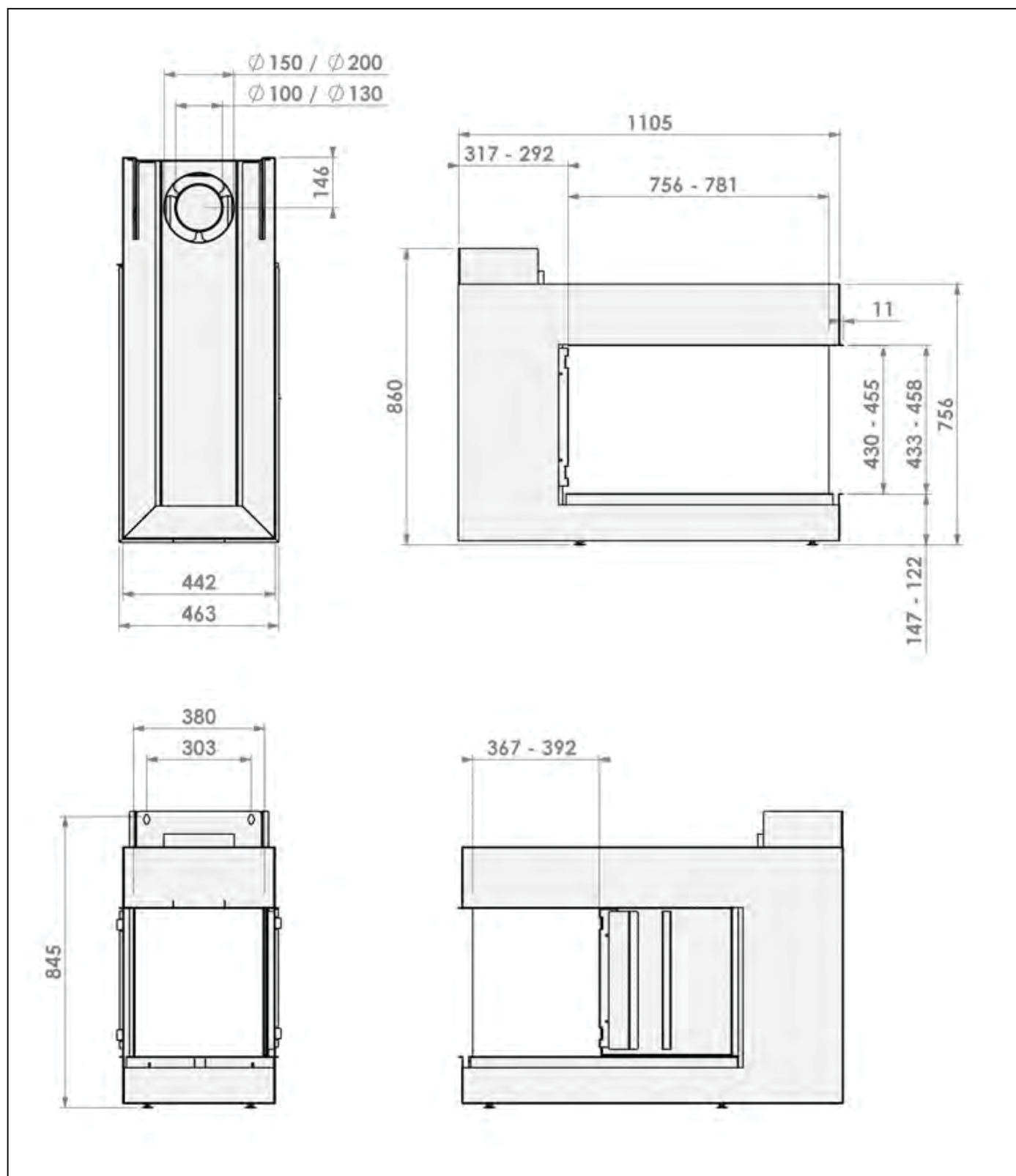
9.3 Roomdivider Medium 3 - hidden door + 10 cm frame



9.4 Roomdivider Medium 3 - with wall support frame

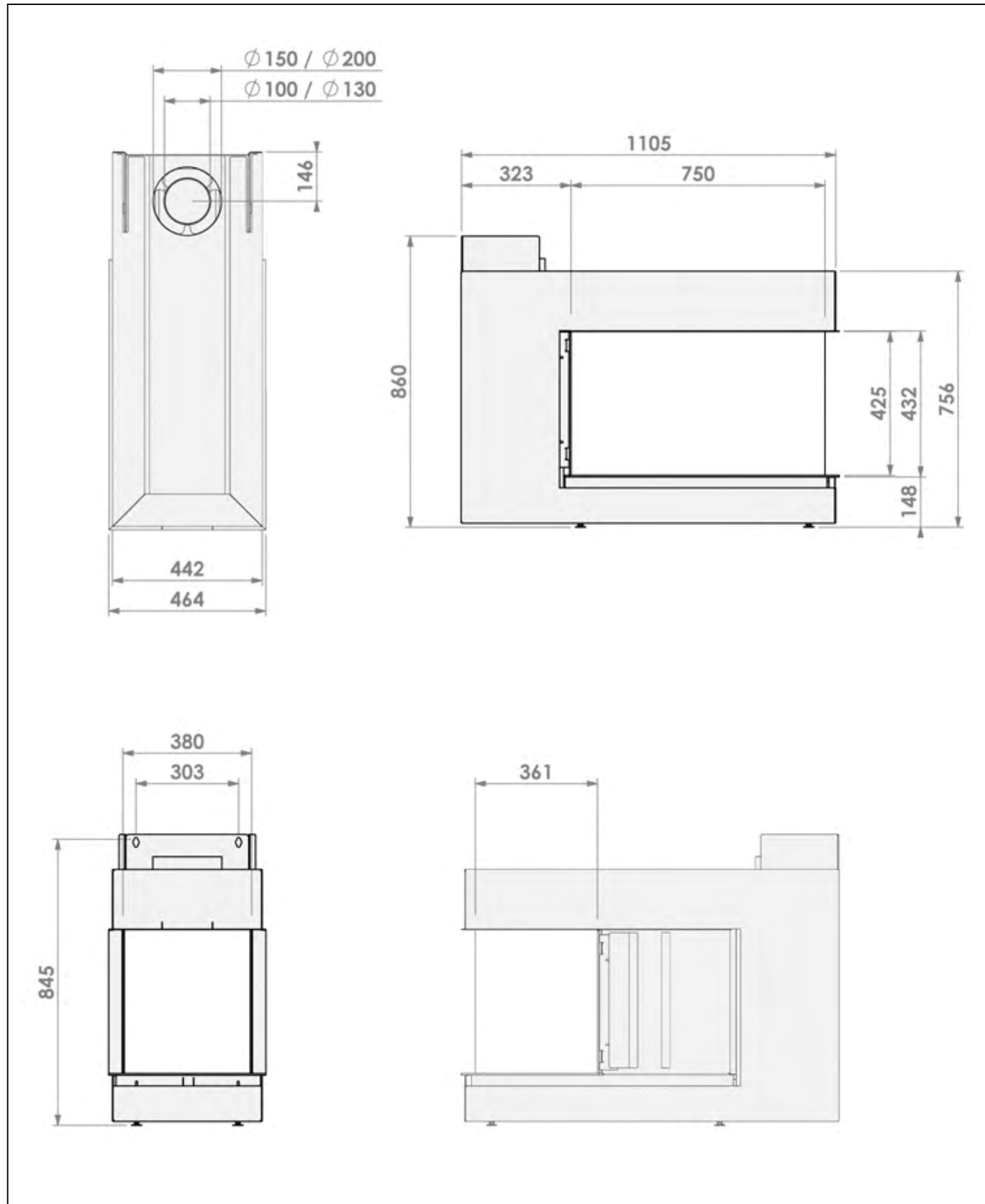


9.5 Roomdivider Medium 3 left - without frame

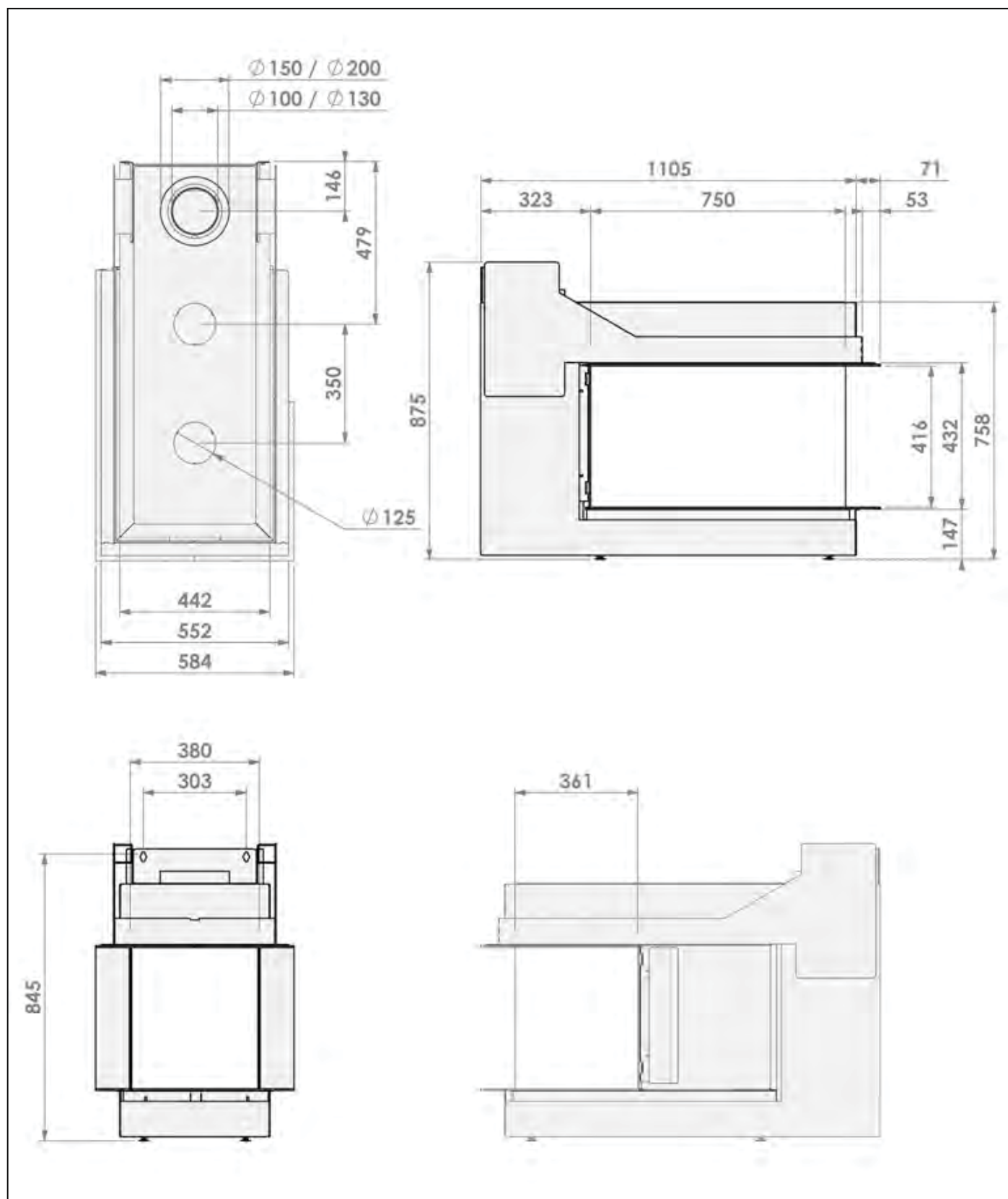


9.6 Roomdivider Medium 3 left - hidden door

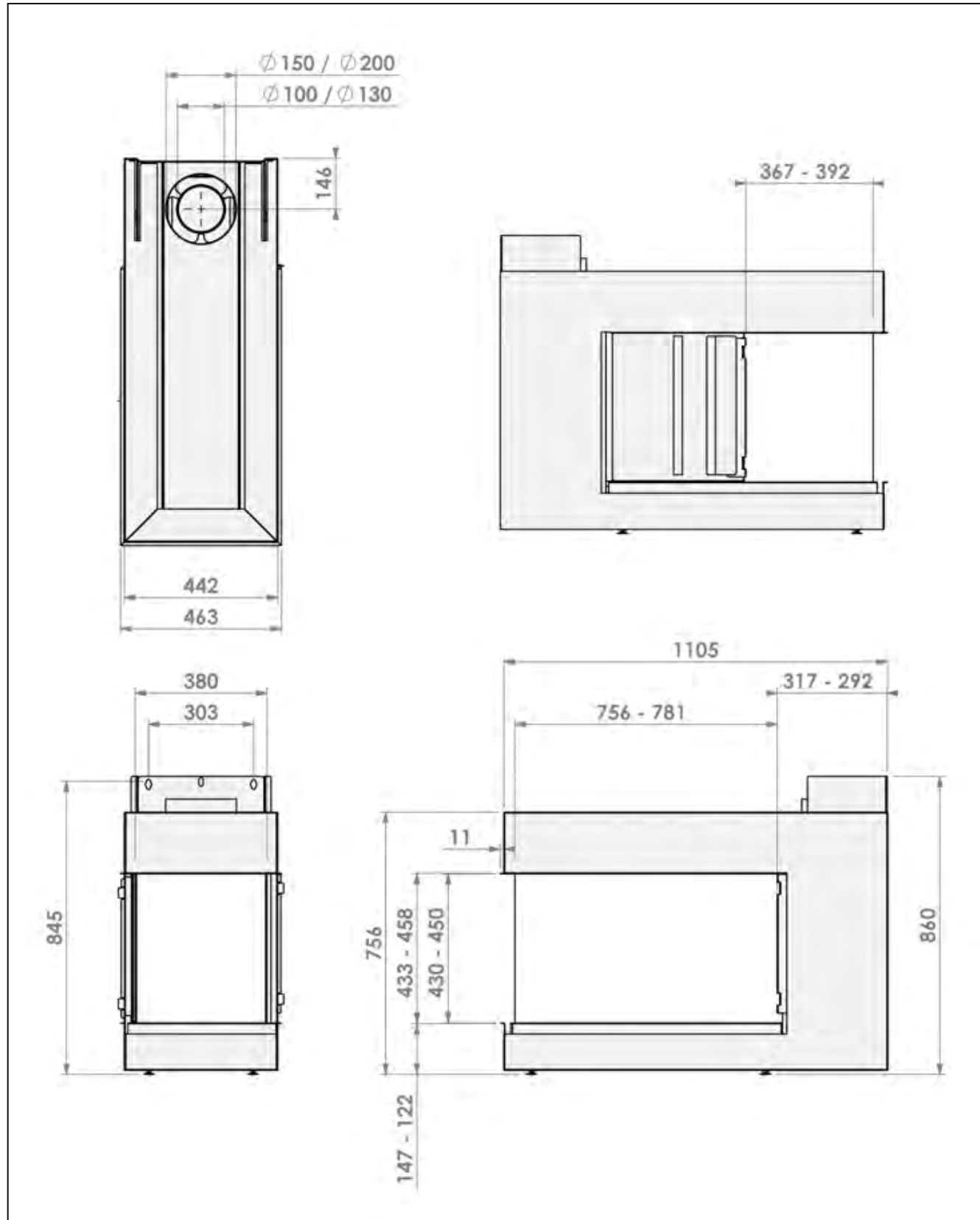
With optional convection casing



9.7 Roomdivider Medium 3 left - hidden door + 10 cm frame

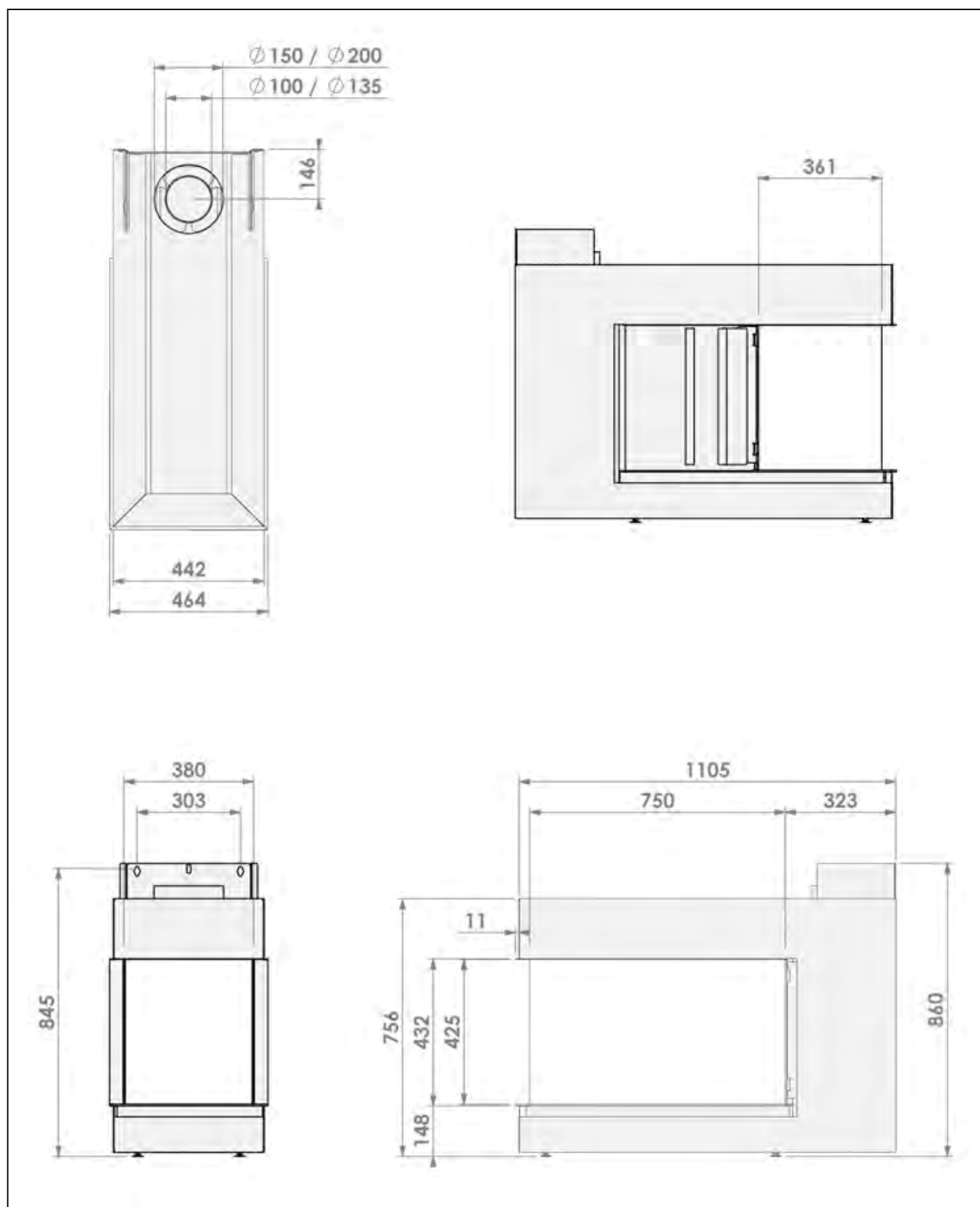


9.8 Roomdivider Medium 3 right - without frame

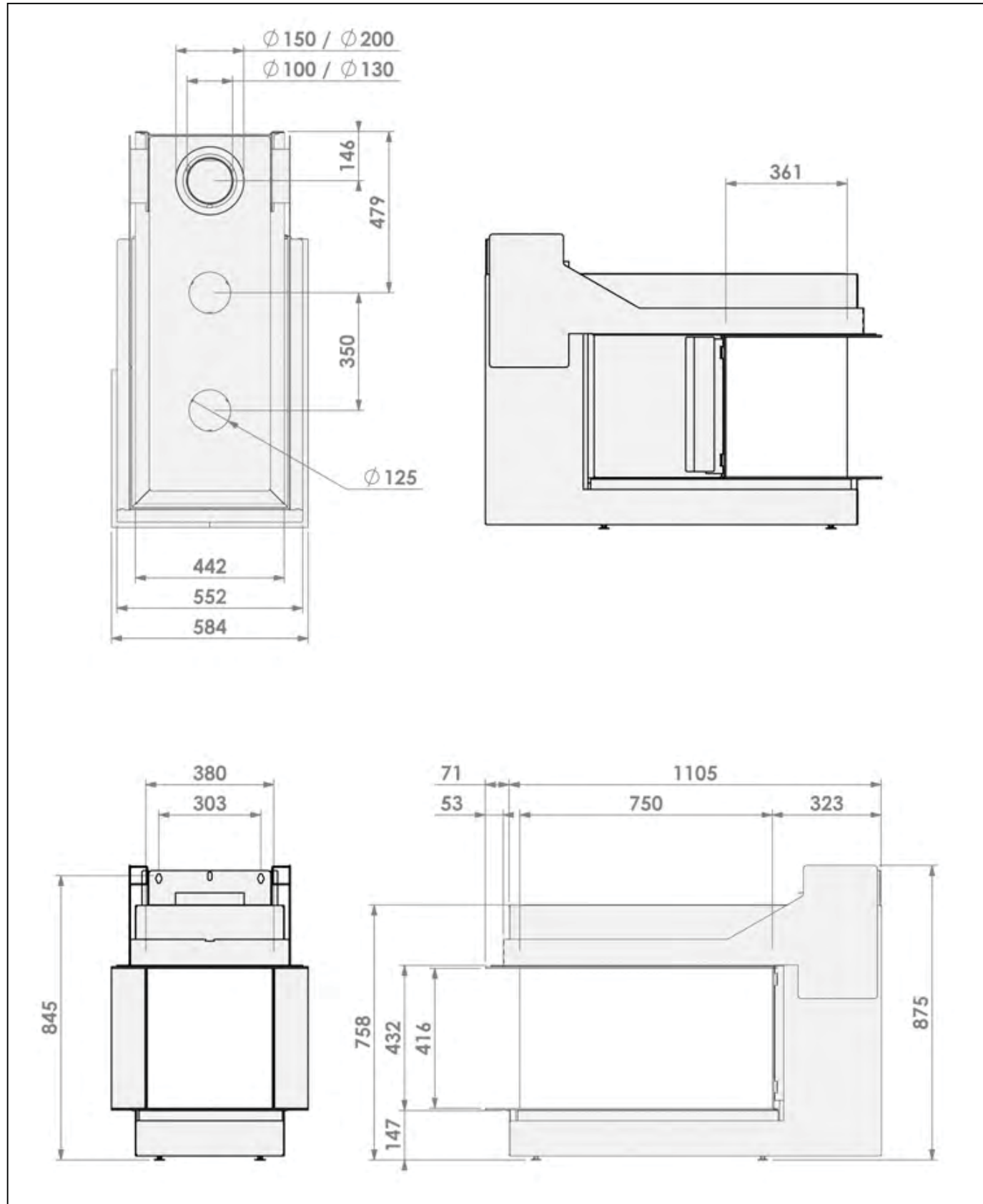


9.9 Roomdivider Medium 3 right- hidden door

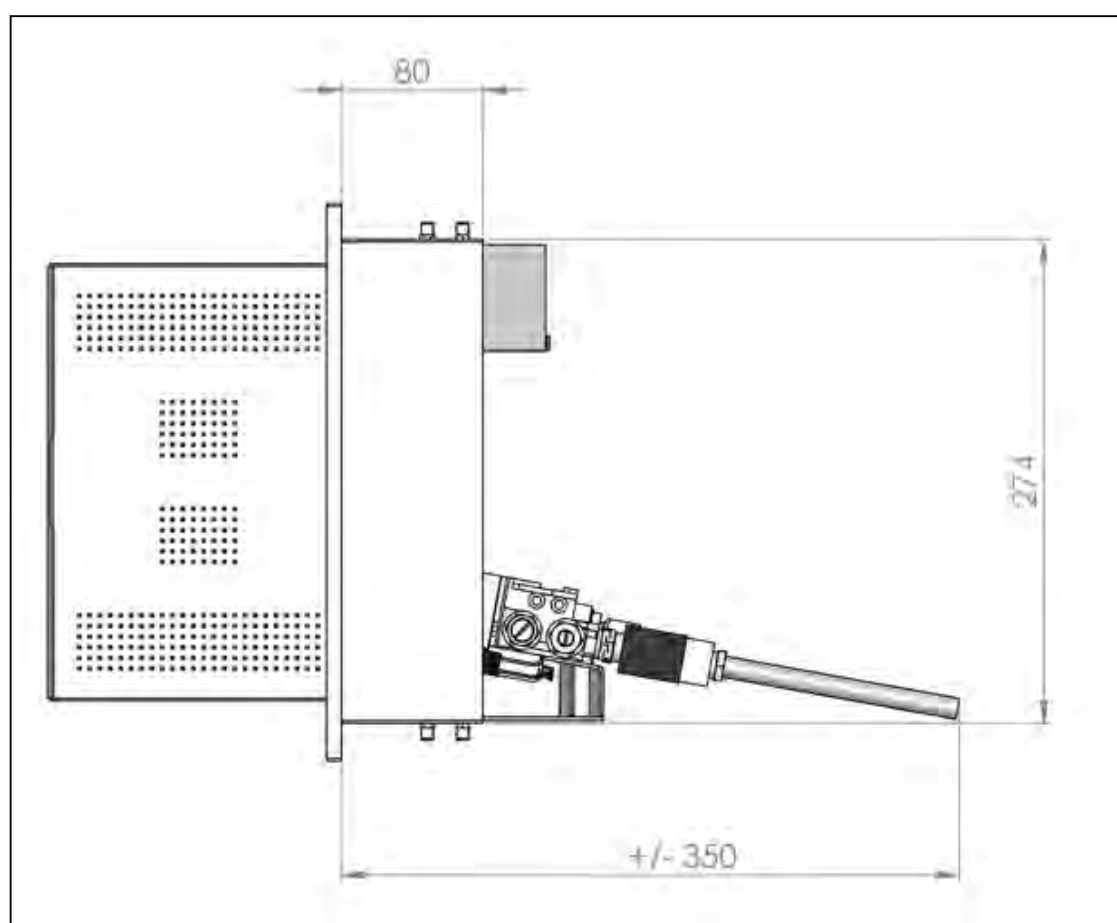
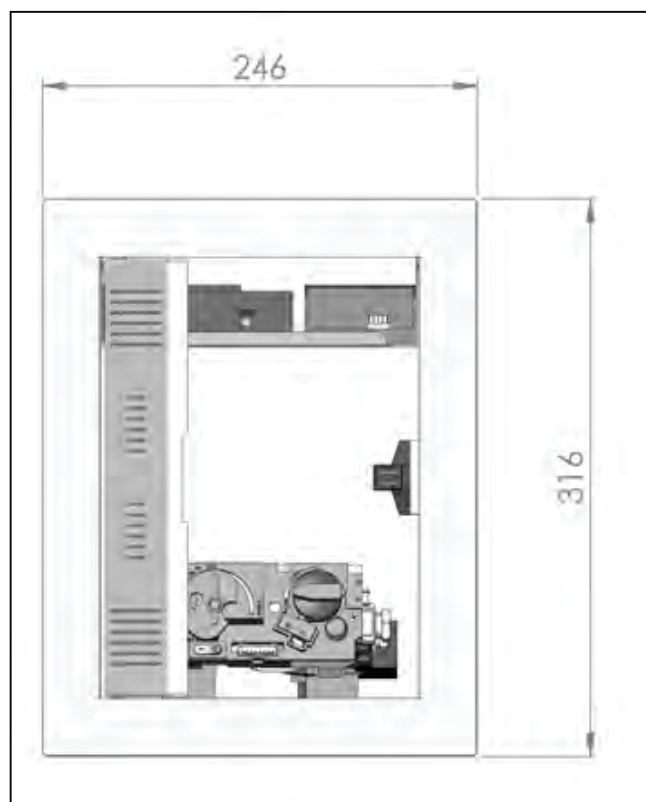
With optional convection casing



9.10 Roomdivider Medium 3 right - hidden door + 10 cm frame



9.11 Operating unit



10 Warranty Terms

Barbas Bellfires Warranty Terms

Barbas Bellfires B.V. guarantees the quality of the supplied Bellfires appliance and the quality of the materials used. All Bellfires appliances are developed and manufactured according to the highest possible quality standards. If, despite all this, something should prove amiss with the Bellfires appliance you have purchased, Barbas Bellfires B.V. offers the following manufacturer's warranty.

Article 1: Warranty

1. If Barbas Bellfires B.V. determines that the Bellfires appliance you have purchased is defective as a result of a flaw in the construction or material, Barbas Bellfires B.V. guarantees to repair or replace the appliance free of charge, without charging any costs for labour or spare parts.
2. Repair or replacement of the Bellfires appliance will be undertaken by Barbas Bellfires B.V. or by a Bellfires dealer as designated by Barbas Bellfires B.V.
3. This warranty is supplementary to the existing legal national warranty of Bellfires dealers and Barbas Bellfires B.V. in the country of purchase and is not intended to restrict your rights and claims based on the applicable legal provisions.

Article 2: Warranty conditions

1. Should you wish to claim under the warranty, please contact your Bellfires dealer.
2. Complaints should be reported as quickly as possible after they have manifested themselves.
3. Complaints will only be accepted if they are reported to the Bellfires dealer, together with the serial number of the Bellfires appliance which is stated on the front of the user manual.
4. In addition, the original receipt (invoice, receipt, cash receipt) showing the date of purchase must also be submitted.
5. Repairs and replacements during the warranty period do not give any entitlement to an extension of the warranty period. After a repair or replacement of warranty parts, the warranty period shall be deemed to have started on the date of purchasing the Bellfires appliance.
6. If a certain part is eligible for the warranty and the original part is no longer available, Barbas Bellfires B.V. shall ensure that an alternative part of at least the same quality shall be provided.

Article 3: Warranty exclusions

1. The warranty on the Bellfires appliance ceases to be in effect if:
 - a. it is not installed according to the supplied installation instructions, and to national and/or local regulations;
 - b. it has been installed, connected or repaired by a non-Bellfires dealer;
 - c. it has not be used or maintained according to the instructions for use;
 - d. it has been changed, neglected or roughly treated;
 - e. it has been damaged as a result of external causes (outside the hearth itself), for example, lightning strike, water damage or fire;
2. In addition, the warranty lapses if the original purchase receipt shows any change, deletion, removal or if it is illegible.

Article 4: Warranty area

1. The warranty is only valid in those countries where Bellfires appliances are sold through an official dealer network.

Article 5: Warranty period

1. This warranty will only be granted during the warranty period.
2. The body of the Bellfires appliance is guaranteed for a period of 10 years against construction and/or material faults, starting from the moment of purchase.
3. For other parts of the Bellfires appliance, a similar warranty applies from the moment of purchase for a period of two years.
4. For user parts such as glass, glass (cord), thermocouple and the interior of the combustion chamber, a similar guarantee is given until after the first burning.

Article 6: Liability

1. A claim granted by Barbas Bellfires B.V. under this warranty does not automatically imply that Barbas Bellfires B.V. also accepts liability for any possible damage. The liability of Barbas Bellfires B.V. never extends further than that stated in these warranty conditions. Any liability of Barbas Bellfires B.V. for consequential damage is expressly excluded.
2. That stated in this provision is not valid if and to the extent that it derives from a mandatory provision.
3. All agreements entered into by Barbas Bellfires B.V. are, unless specifically stated otherwise in writing and to the extent that they are permitted based on applicable law, subject to the FME-CWM general sales and delivery conditions for the technology industry.

Barbas Bellfires B.V.

Hallenstraat 17 5531 AB Bladel

The Netherlands

Tel: +31-497339200

Email: info@Bellfires.com

Carefully retain the user manual; it shows the serial number of the appliance. You will need this if you wish to claim under the warranty.

11 EU-Declaration of Conformity

barbas belfires. fireplaces

EU-Declaration of Conformity

We

Manufacturer: Barbas Belfires
Address: Hallenstraat 17
 5531 AB Bladel; The Netherlands
Phone: + 31 497 339 200
email: info@barbasbelfires.com

declare that this declaration of conformity is issued under our sole responsibility and belongs to the product below:

Product: Independent gas-fired convection heater
Type: C₁/C₂/C₃
Product name: Belfires

Description of the product:

Horizon Bell XXL 3 CF/LF	Corner Bell XXL 3 L/R CF/LF	Smart Bell 90/70 PF
Horizon Bell XL 3 CF/LF	Corner Bell XL 3 L/R CF/LF	Smart Bell 75/70 PF
Horizon Bell Large 3 CF/LF	Corner Bell Large 3 L/R CF/LF	Smart Bell 80/60 MF
Horizon Bell Medium 3 CF/LF	Corner Bell Medium 3 L/R CF/LF	Smart Bell 75/60 MF
Horizon Bell Small 3 CF/LF	Corner Bell Small 3 L/R CF/LF	Smart Bell 75/55 MF
Horizon Bell XS 3 CF/LF	View Bell Derby 3 CF/LF/PF	Smart Bell 65/60 MF
Horizon Bell Large Tunnel 3 CF/LF	View Bell Topsham 3 CF/LF/PF	Smart Bell 65/55 MF
Horizon Bell Small Tunnel 3 CF/LF	View Bell York 3 CF/LF/PF	Smart Bell 55/60 MF
Vertical Bell Medium 3 CF/LF	View Bell XXL 3 CF/LF	Smart Bell 55/55 MF
Vertical Bell Small 3 CF/LF	View Bell XL 3 CF/LF	Smart Bell 45/60 MF
Vertical Bell Medium Tunnel 3 CF/LF	View Bell Large 3 CF/LF	Smart Bell Panorama 45/45 MF
Vertical Bell Small Tunnel 3 CF/LF	View Bell Medium 3 CF/LF	Smart Bell Panorama 45/59 MF
Derby Large 3 CF/LF/PF	View Bell Small 3 CF/LF	Smart Bell Panorama 73/52 MF
Derby Small 3 CF/LF/PF	View Bell Vertical 3 CF/LF	Box Gas 80 MF
Topsham Large 3 CF/LF/PF	Room Divider Large 3 L/R CF/LF/MF	Box Gas 75 MF
Topsham Small 3 CF/LF	Room Divider Medium 3 L/R CF/LF/MF	Box Gas 65 MF
York Large 3 CF/LF/PF	Classic Bell Small	Box Gas 55 MF
York Small 3 CF/LF/PF	Classic Bell Medium	Box Gas 45 MF
Derby Large Tunnel 3 CF/LF	Smart Bell 80/80 PF	Box Gas Panorama 45/45 MF
Corner Bell Derby 3 L/R CF/LF/PF	Smart Bell 90/80 PF	Box Gas Panorama 45/59 MF
Corner Bell Topsham 3 L/R CF/LF/PF	Smart Bell 75/80 PF	Box Gas Panorama 73/52 MF
Corner Bell York 3 L/R CF/LF/PF	Smart Bell 80/70 PF	

The object of this declaration is in conformity with the relevant Union harmonisation legislation:
 Regulation (EU) 2016/426

Used relevant harmonised standards or other technical specifications in relation to which conformity is declared:
 EN 613:2000

The notified body:
 Kiwa Nederland BV
 P.O. Box 137
 NL-7300 AC Apeldoorn

performed a product verification and issued on March 29, 2019 *certificate no:* 17GR0140/01

Signed for and on behalf of:
 Danny Baijens, managing director
 (name and function)

Bladel; April 1, 2019

Barbas Belfires B.V.
 Hallenstraat 17
 5531 AB Bladel
 The Netherlands

T +31 (0)497 339 200
 www.barbasbelfires.com

bellfires.

Your Bellfires dealer